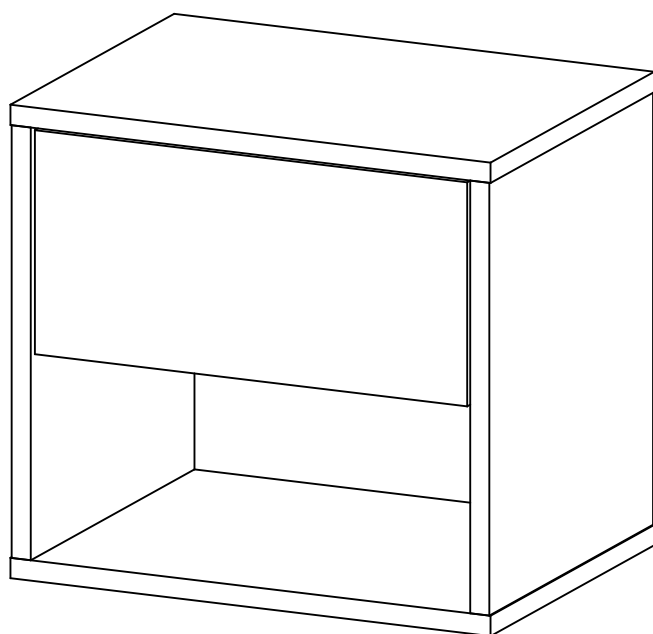
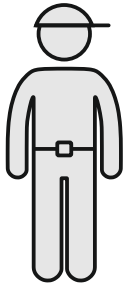


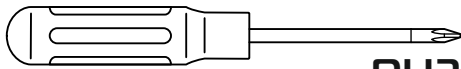
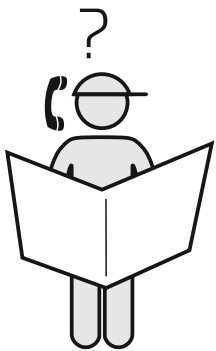
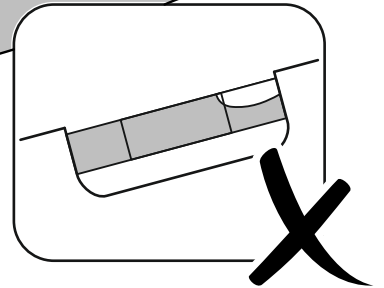
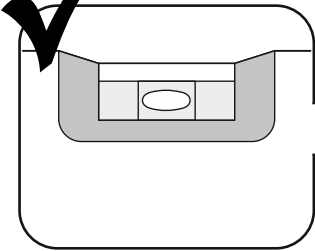
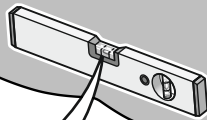
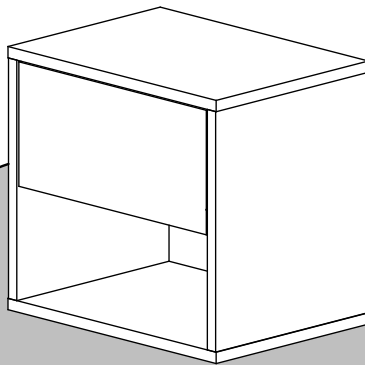
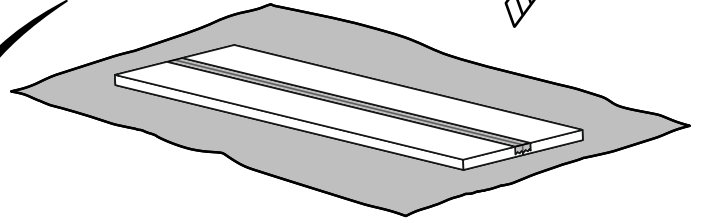
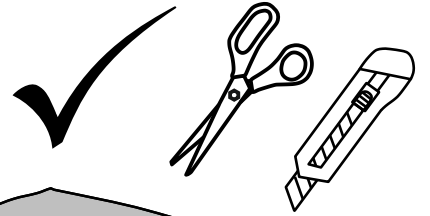
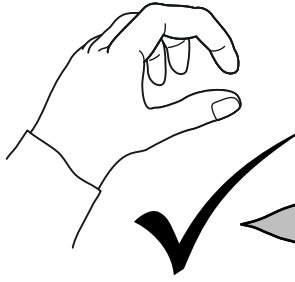
YHO-46

UNO-46

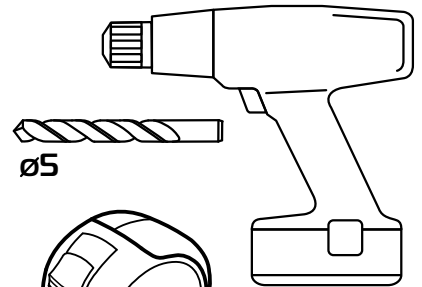
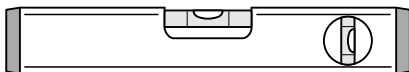
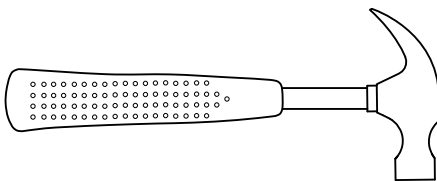




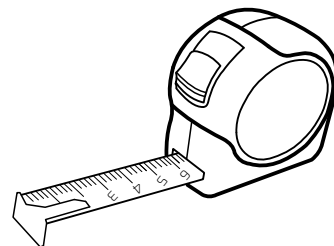
30-45 min

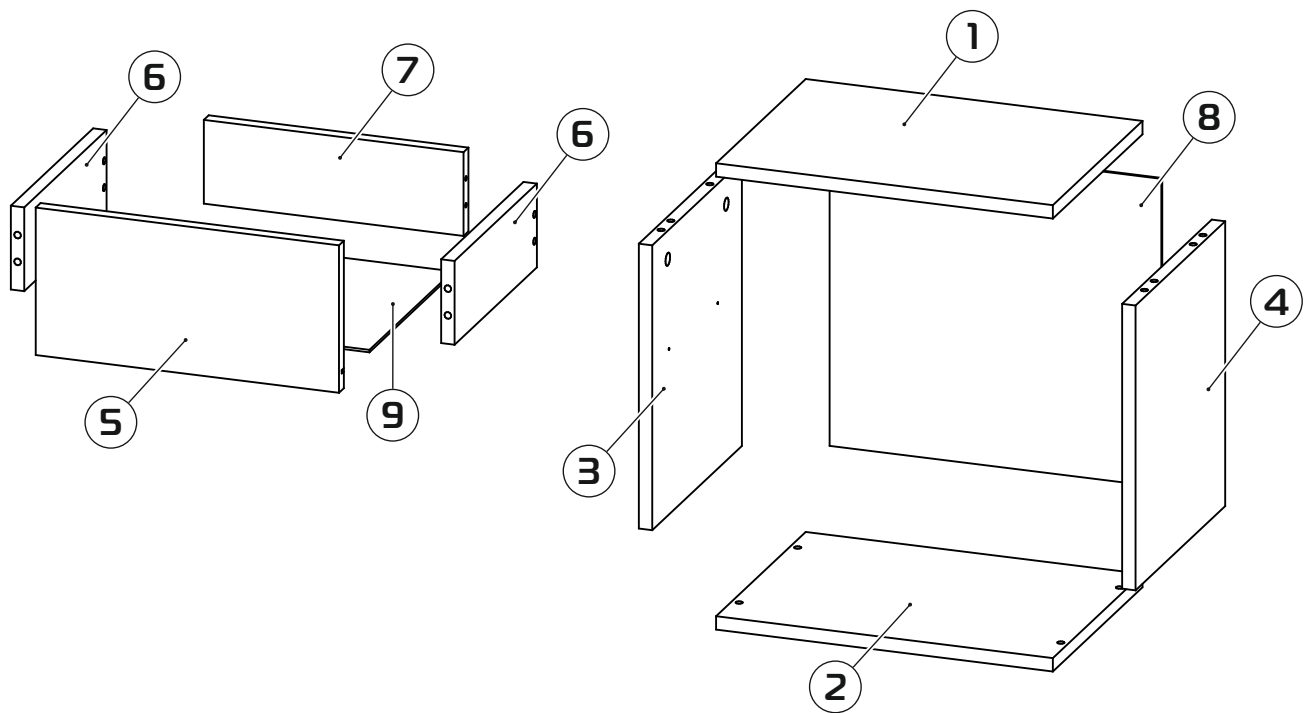


PH2



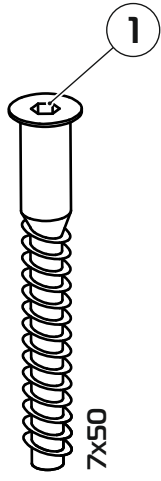
ø5



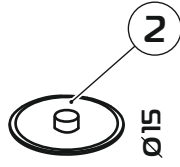


- ① 402x3294x16 (x1)
- ② 402x294x16 (x1)
- ③ 340x294x16 (x1)
- ④ 340x294x16 (x1)
- ⑤ 362x176x16 (x1)
- ⑥ 100x270x16 (x2)
- ⑦ 100x310x16 (x1)
- ⑧ 368x396x3 (x1)
- ⑨ 274x338x3 (x1)

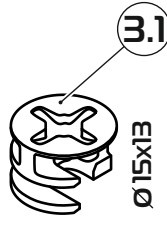
1:1



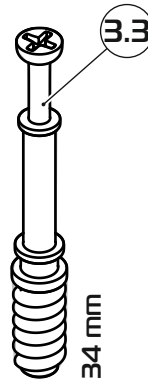
x8



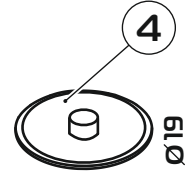
x8



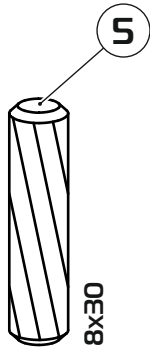
x6



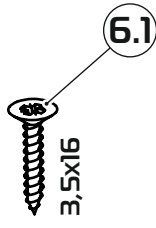
x6



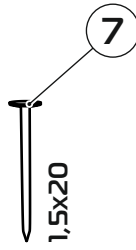
x6



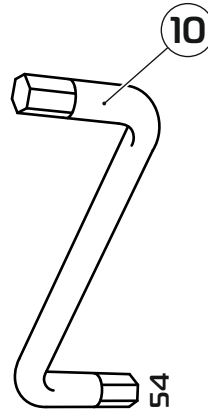
x6



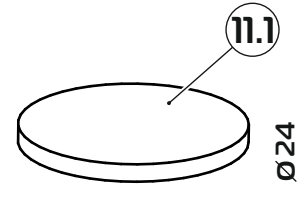
x14



x20

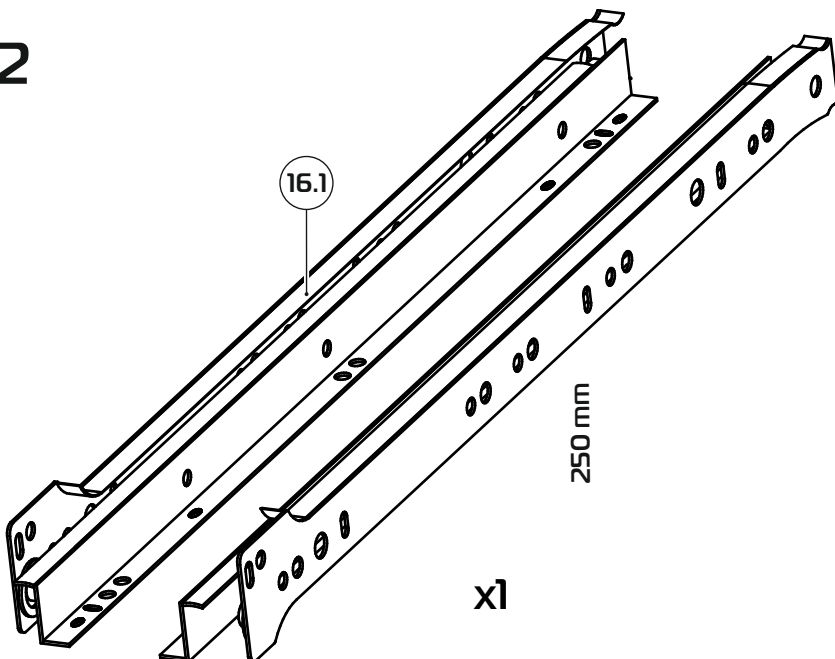


x1

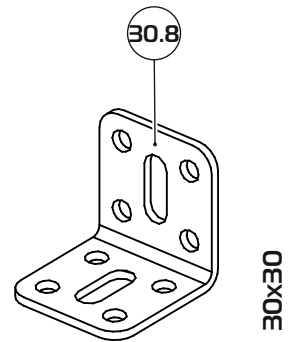


x4

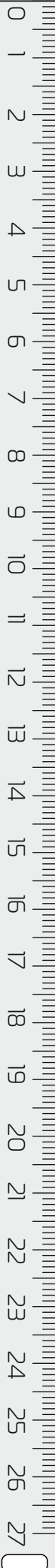
1:2



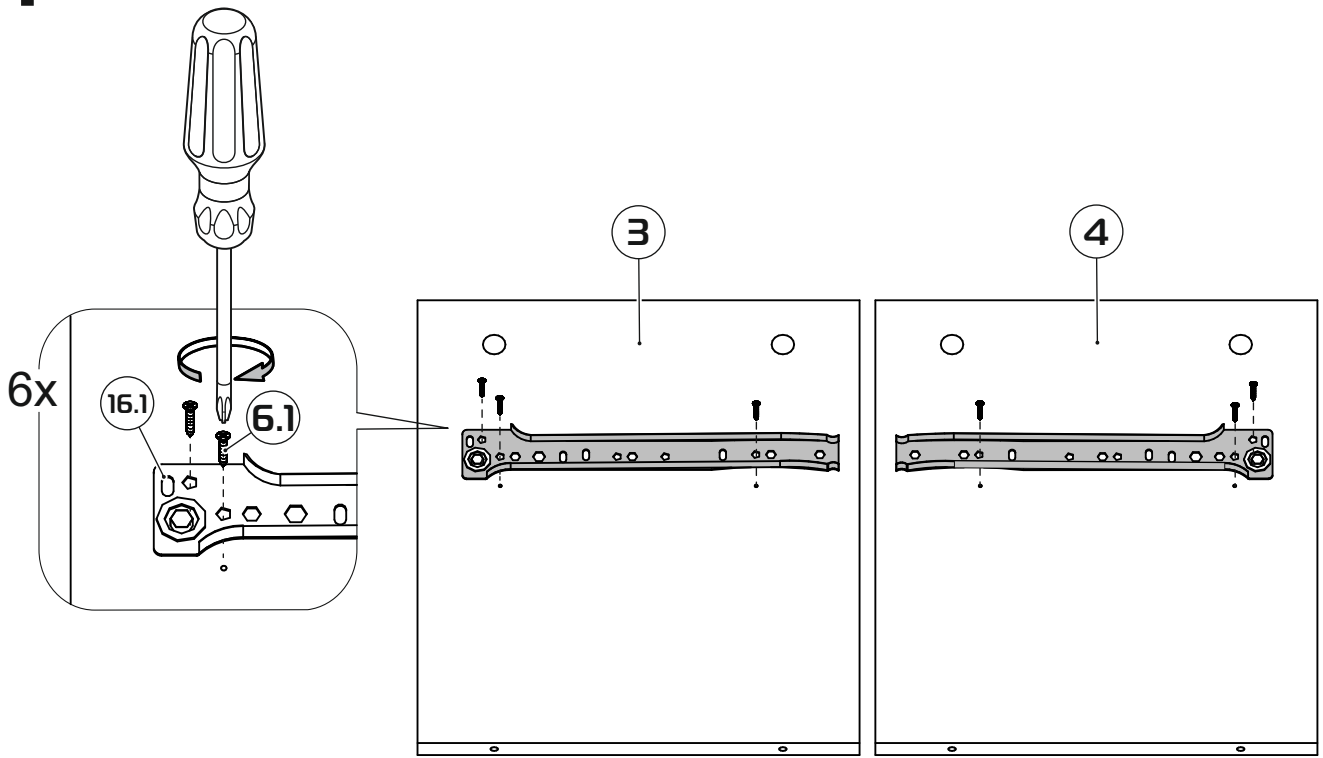
x1



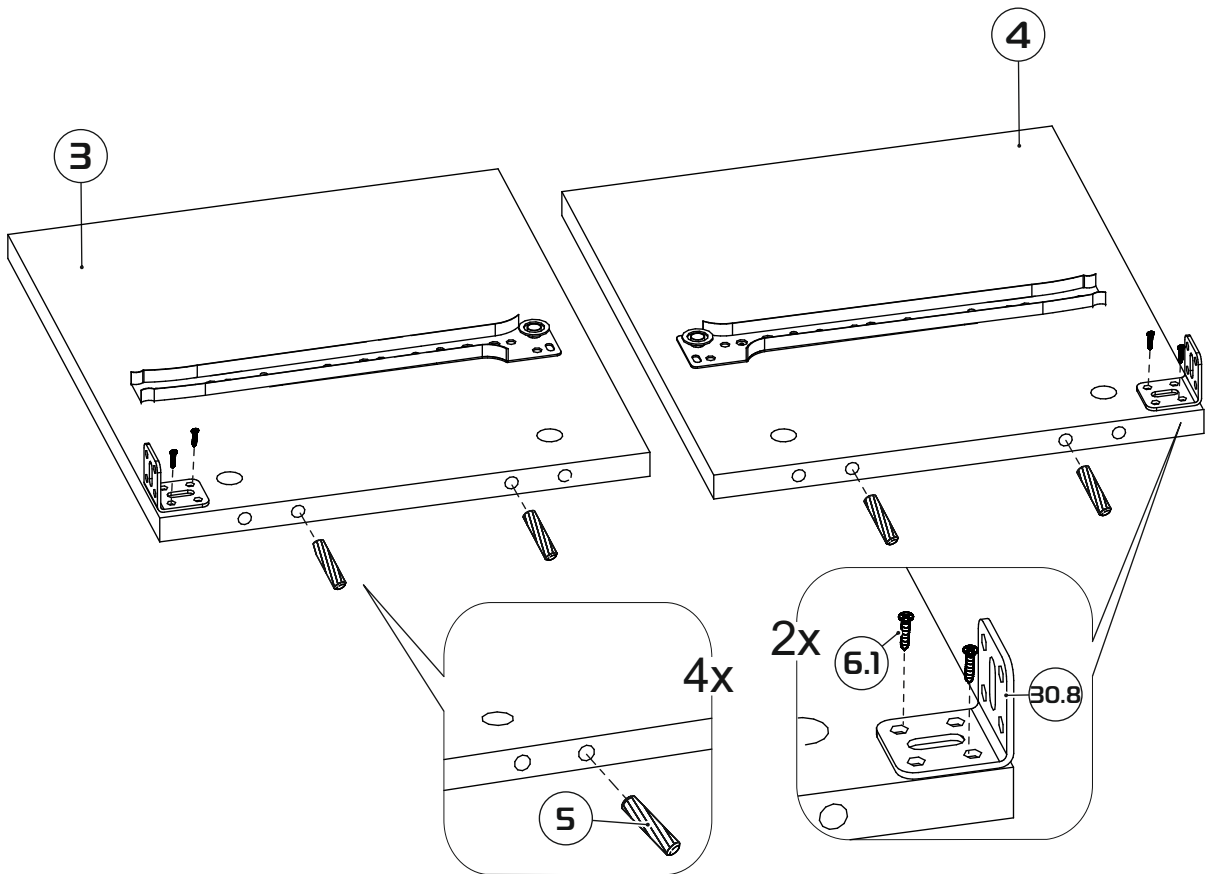
x2



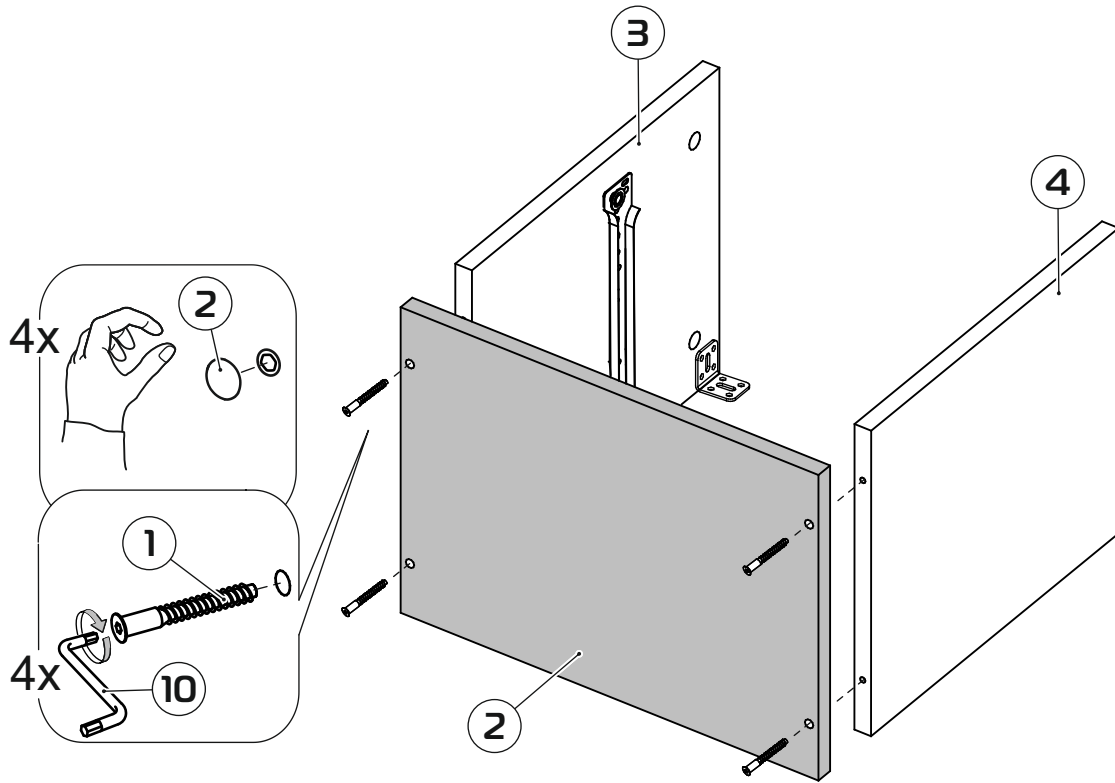
1



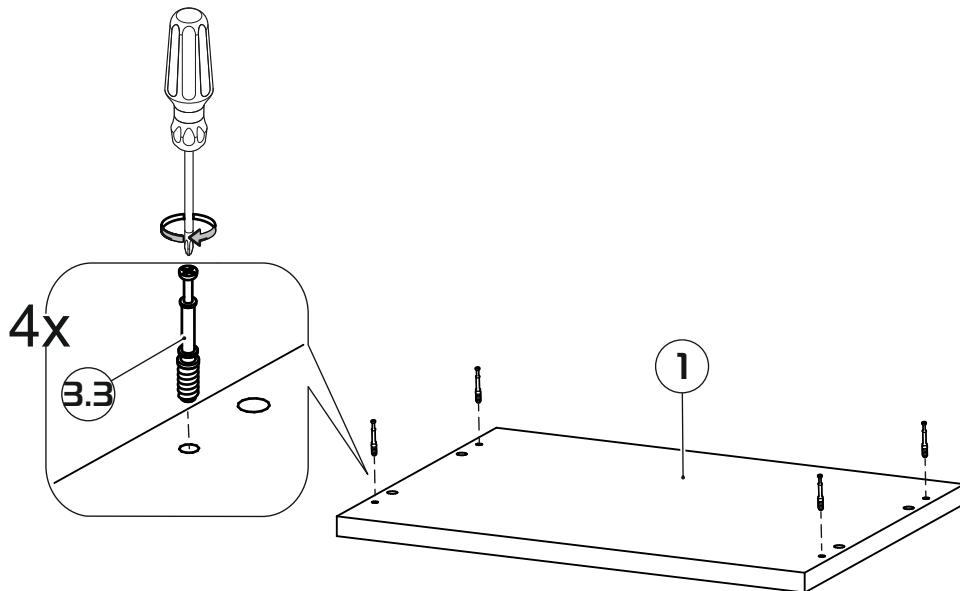
2



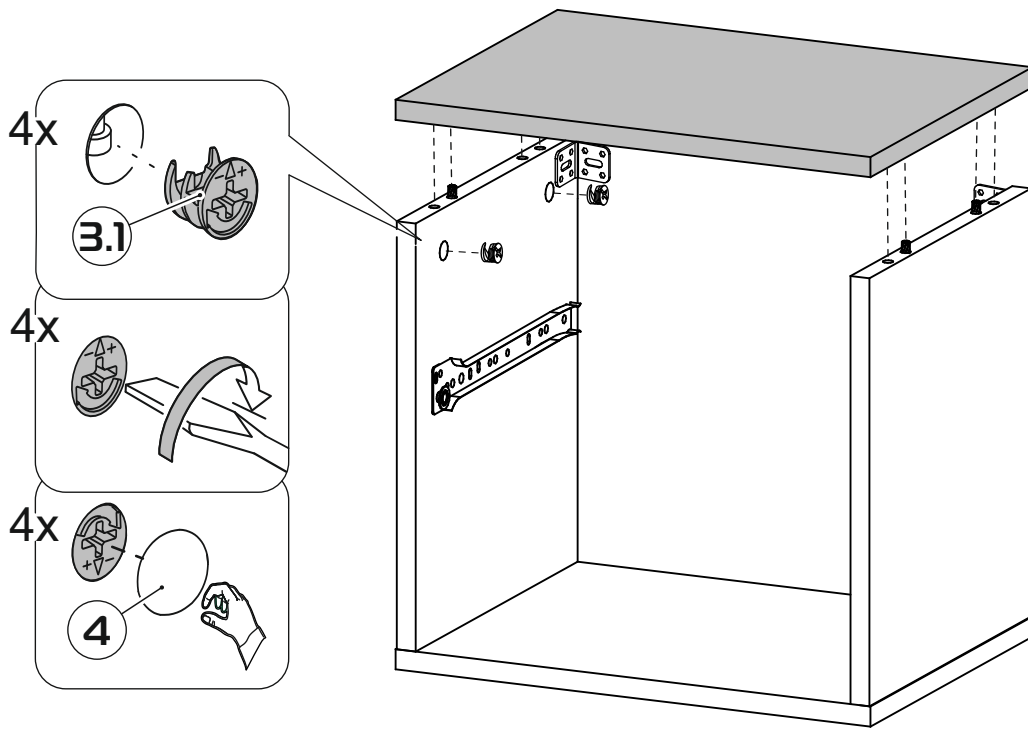
3



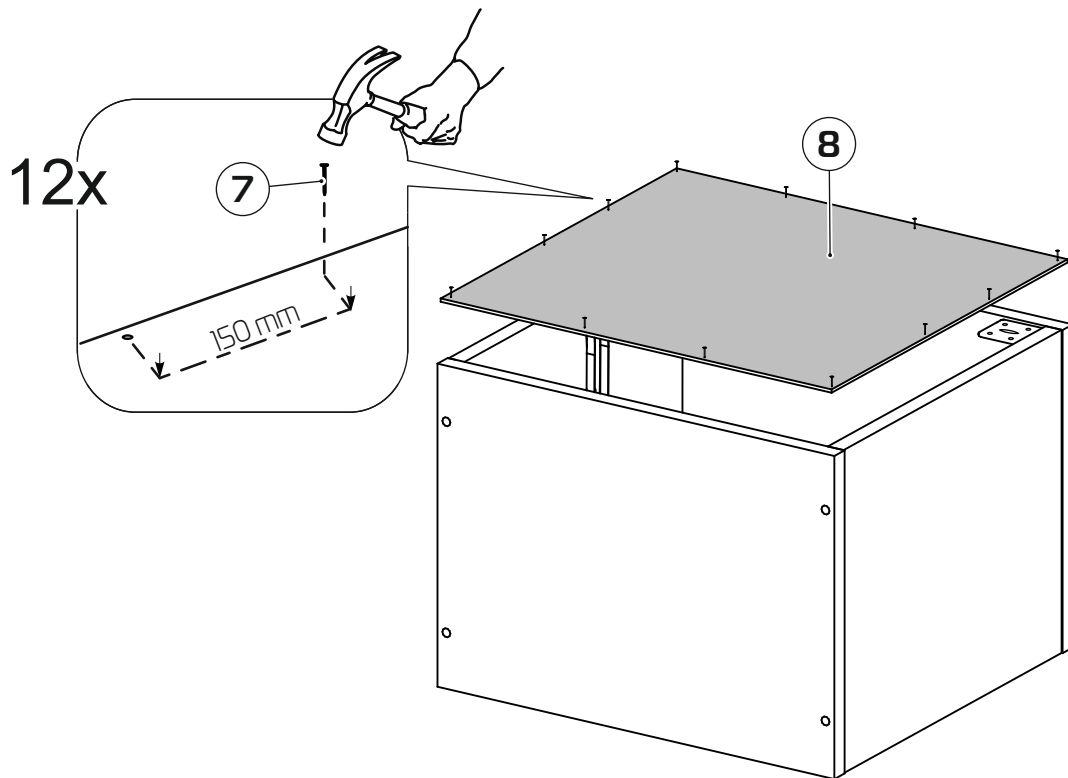
4



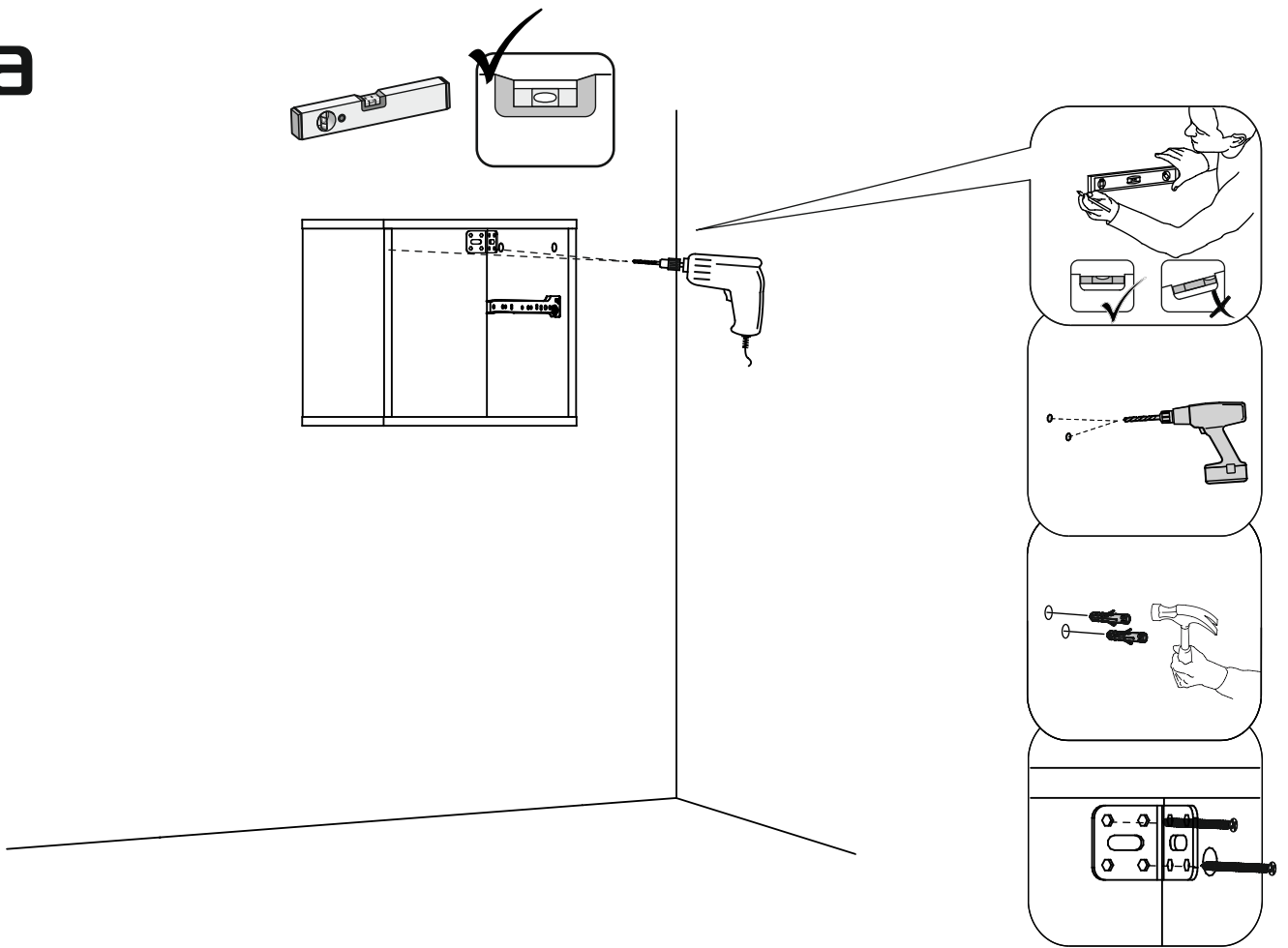
5



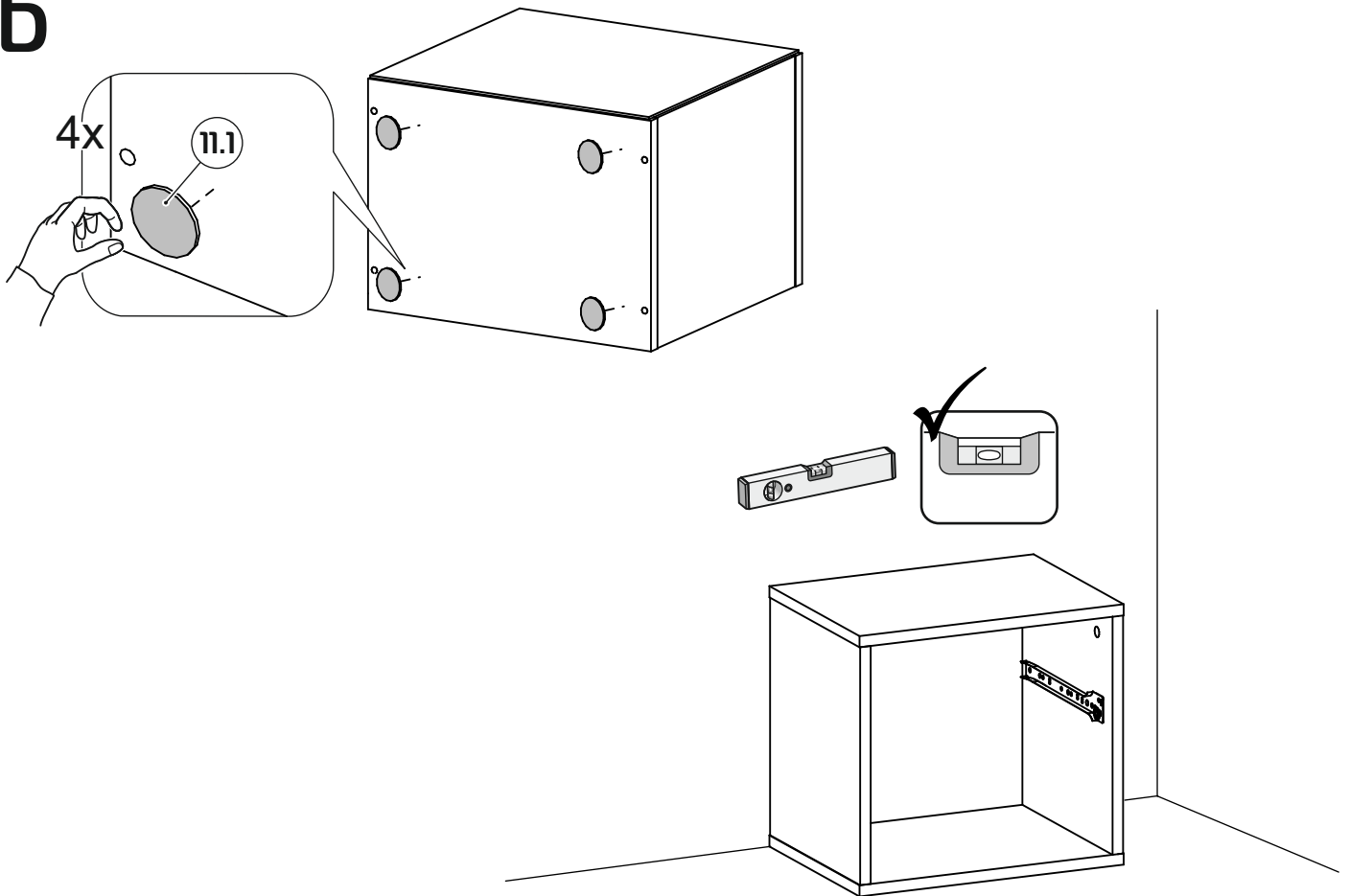
6



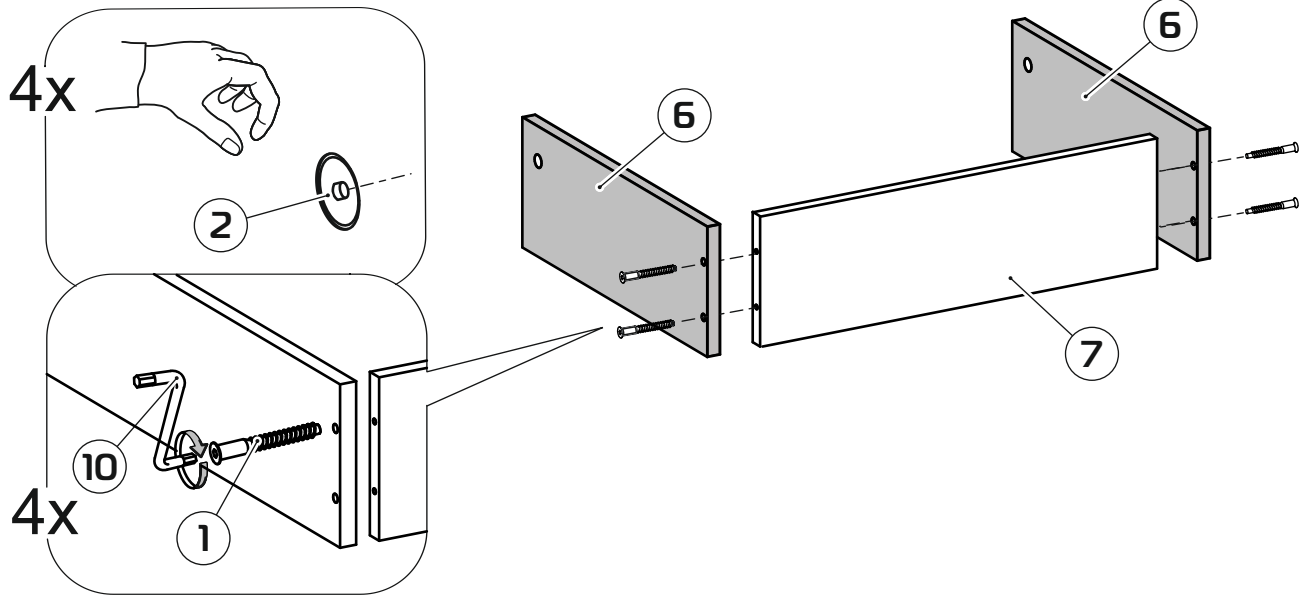
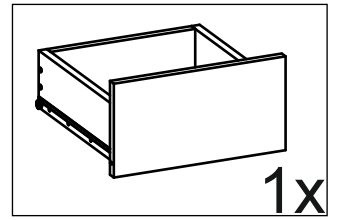
7a



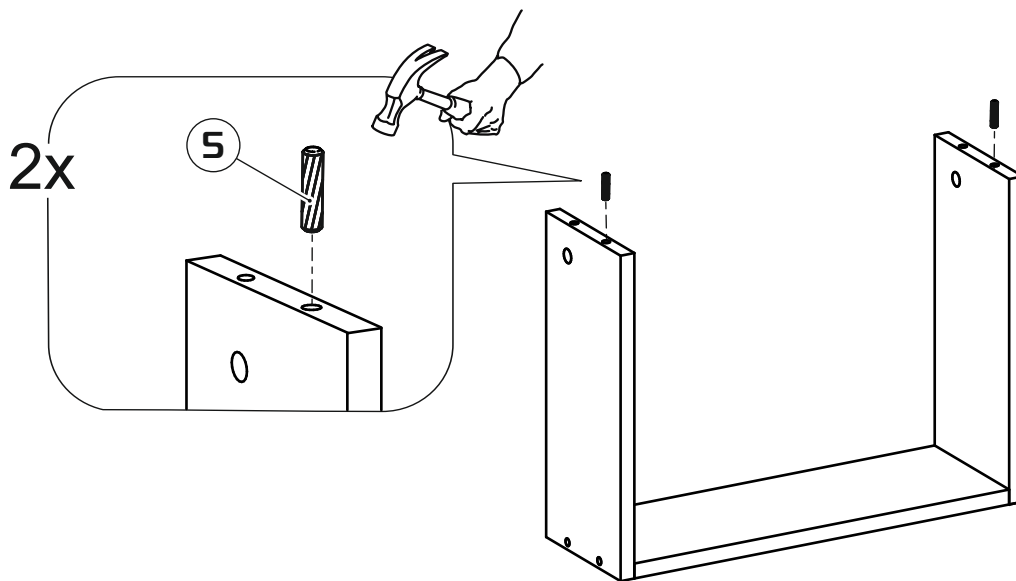
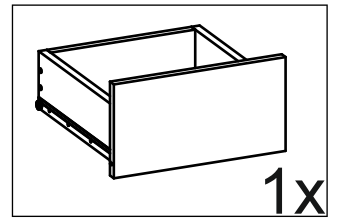
7b



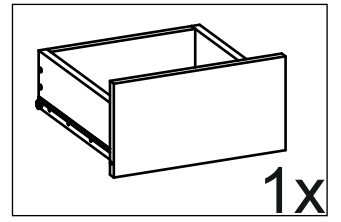
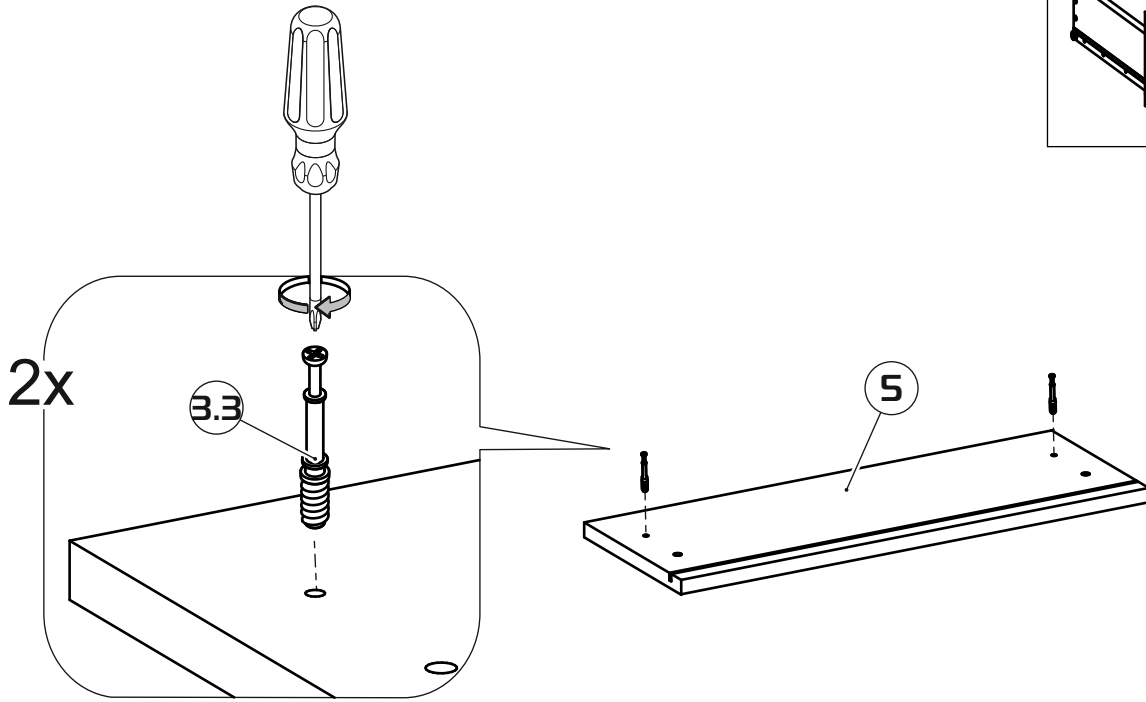
8



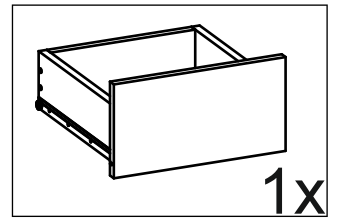
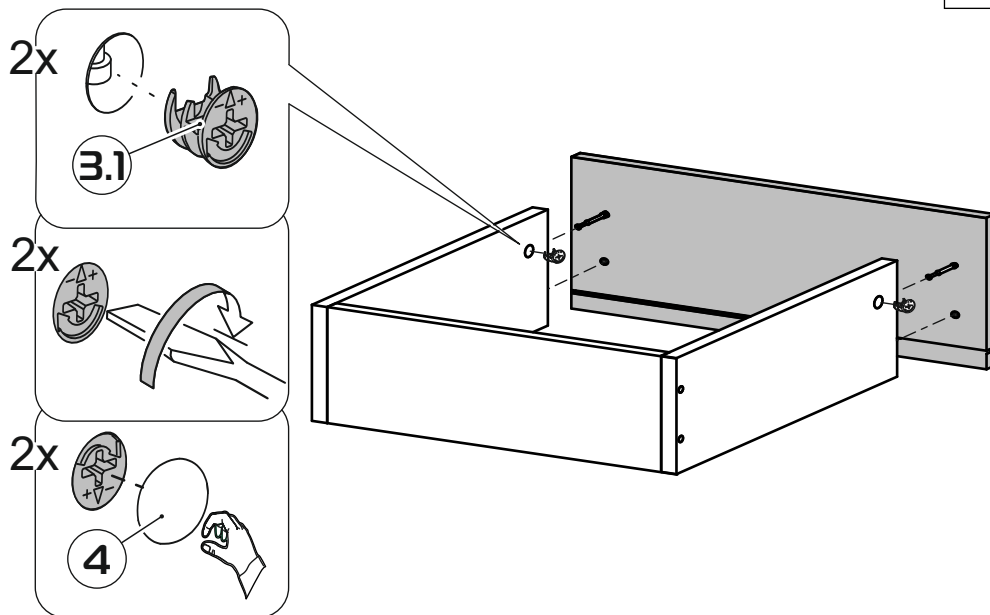
9



10



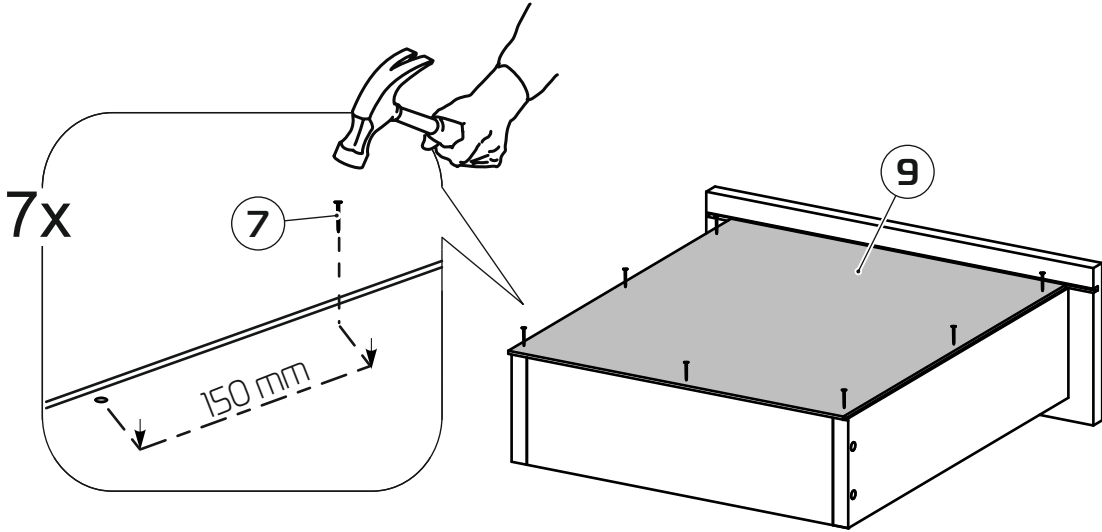
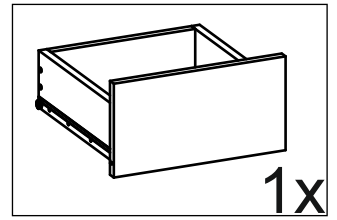
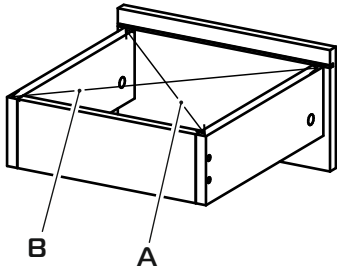
11



12



(A=B)



13

