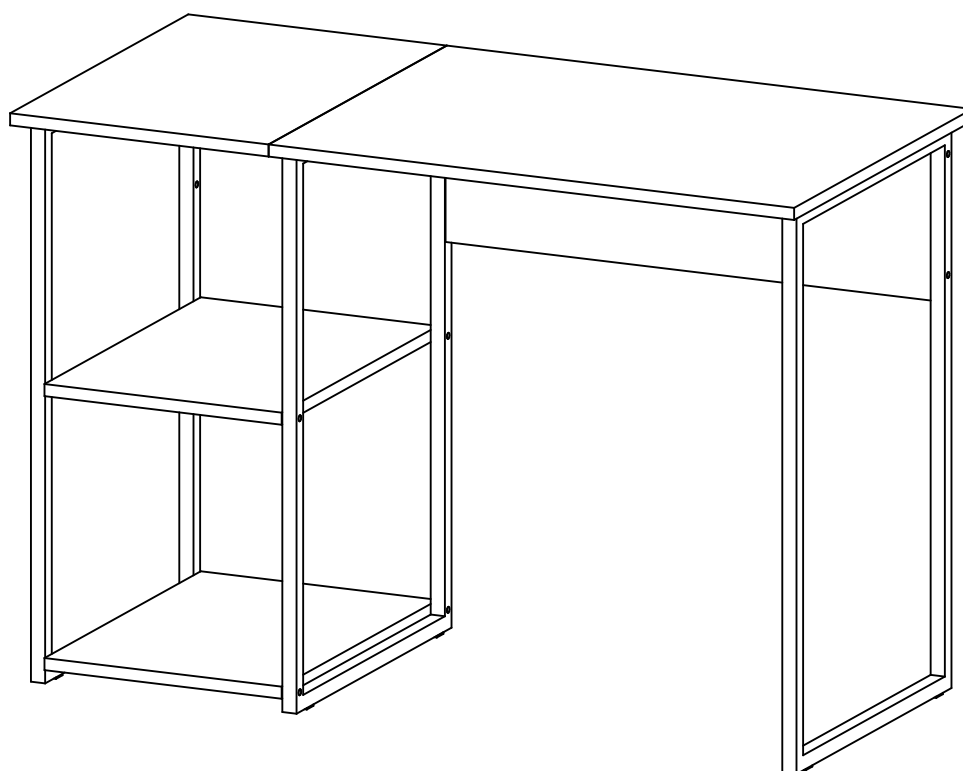
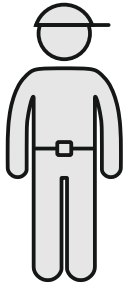


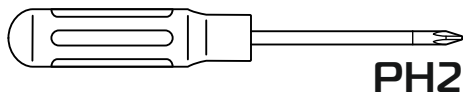
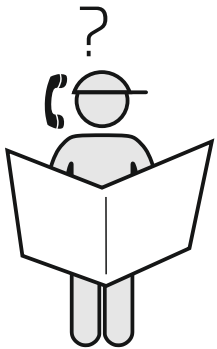
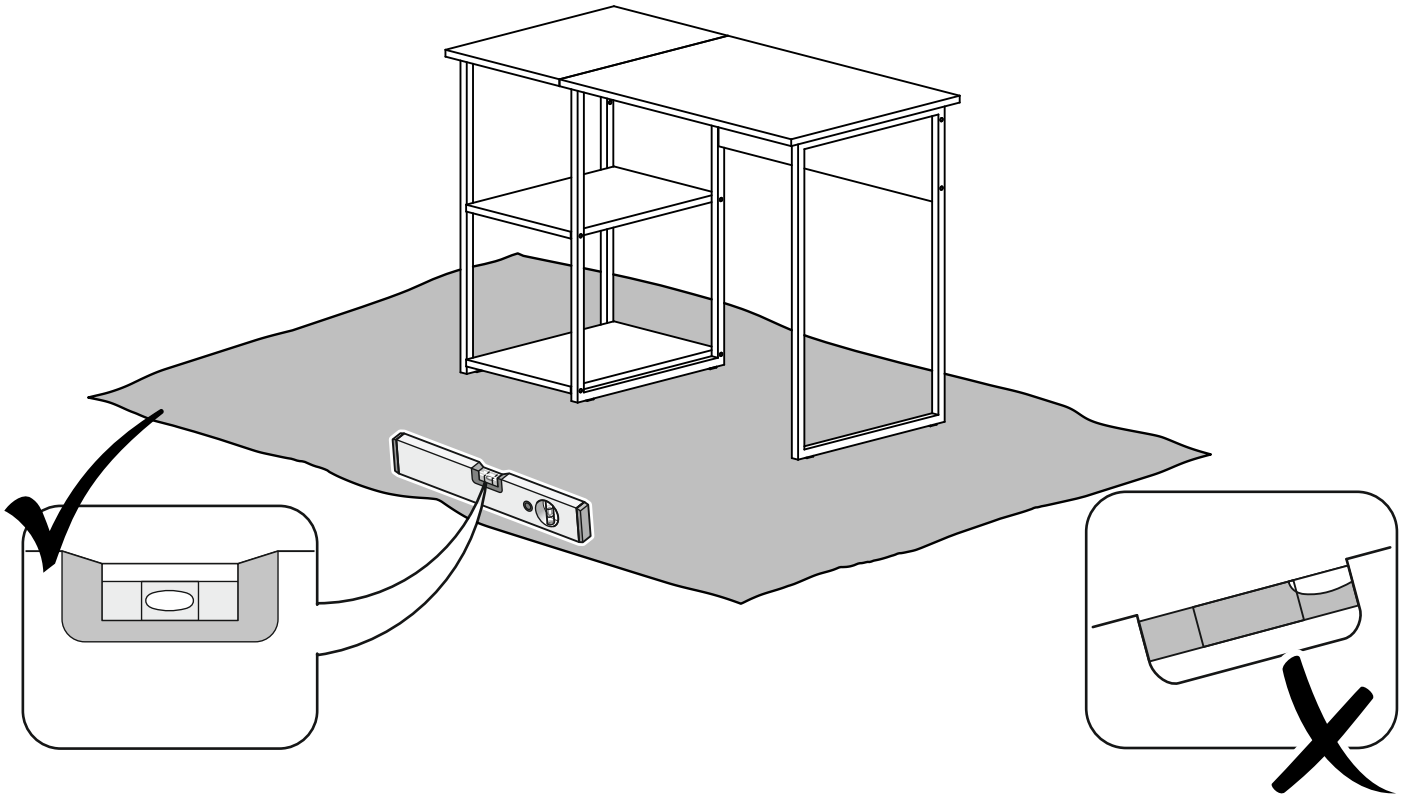
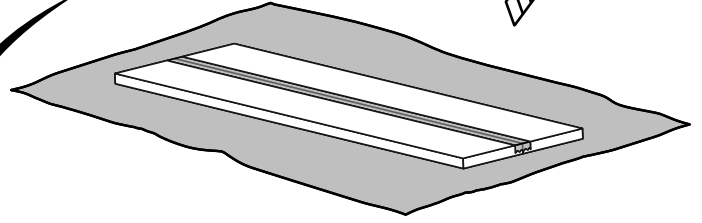
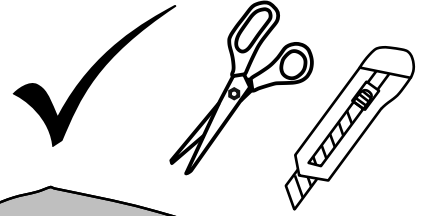
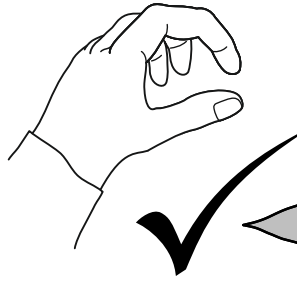
ВИТТО-33

VITTO-33

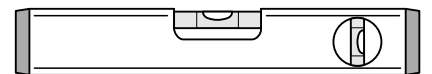
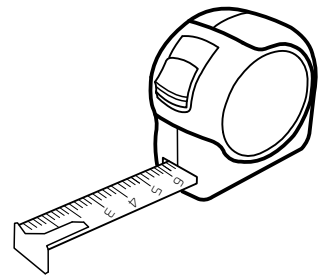
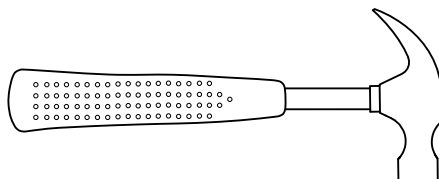


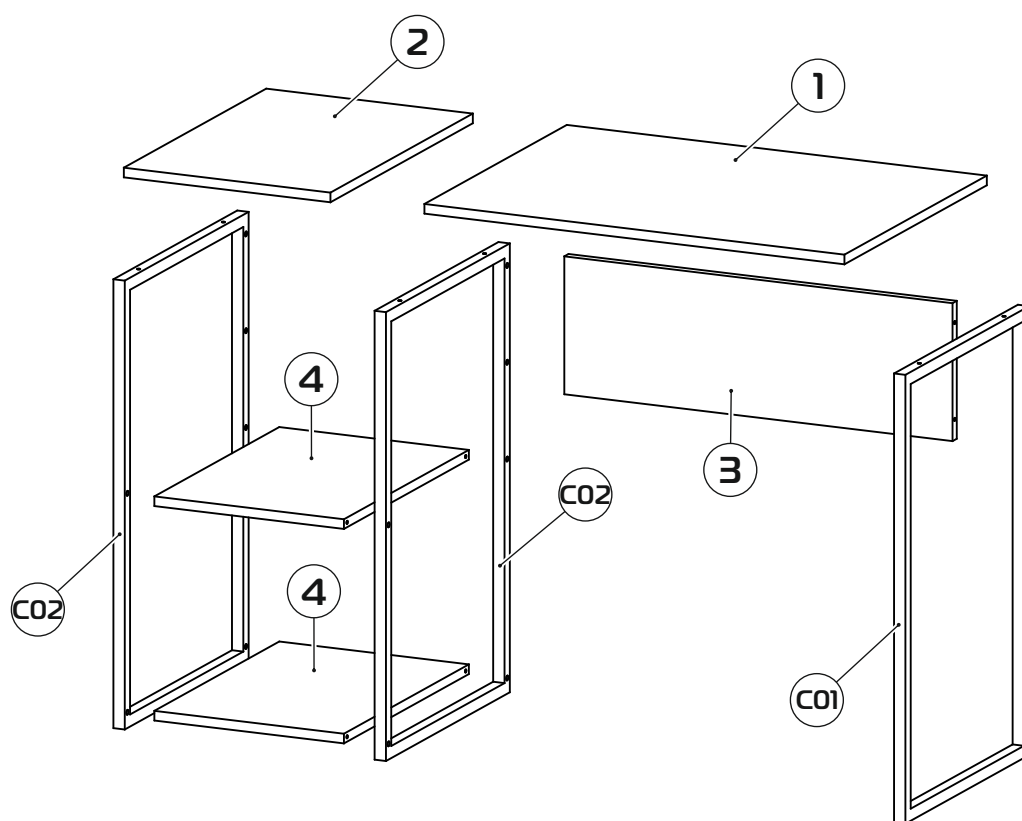


45-60 min



PH2





① 740x538x16 (x1)

② 364x538x16 (x1)

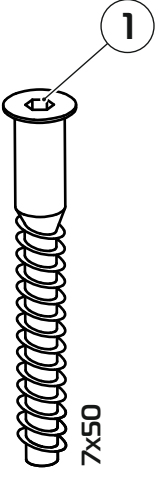
③ 684x228x16 (x1)

④ 334x472x16 (x2)

C01 742x468x20 (x1)

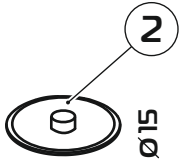
C02 742x468x20 (x2)

1:1



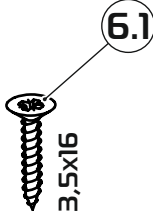
x12

7x50



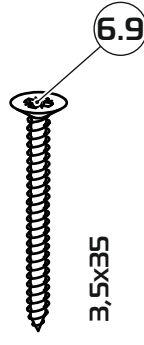
x12

Ø15



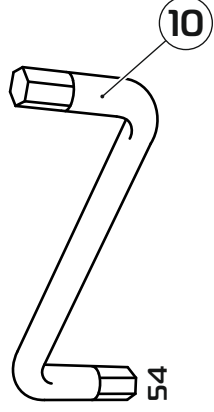
x8

3,5x16



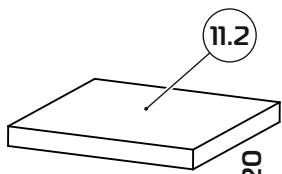
x6

3,5x35



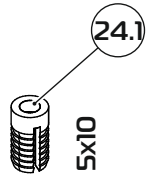
x1

54



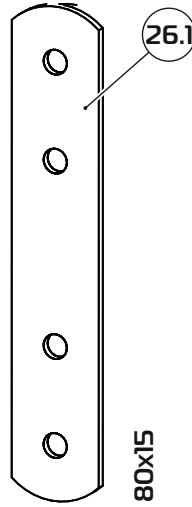
x6

20x20



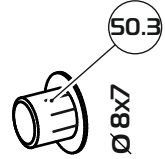
x8

5x10



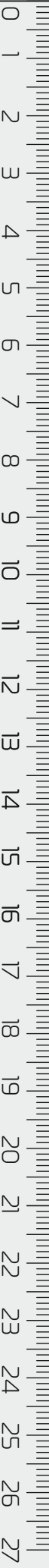
x2

80x15

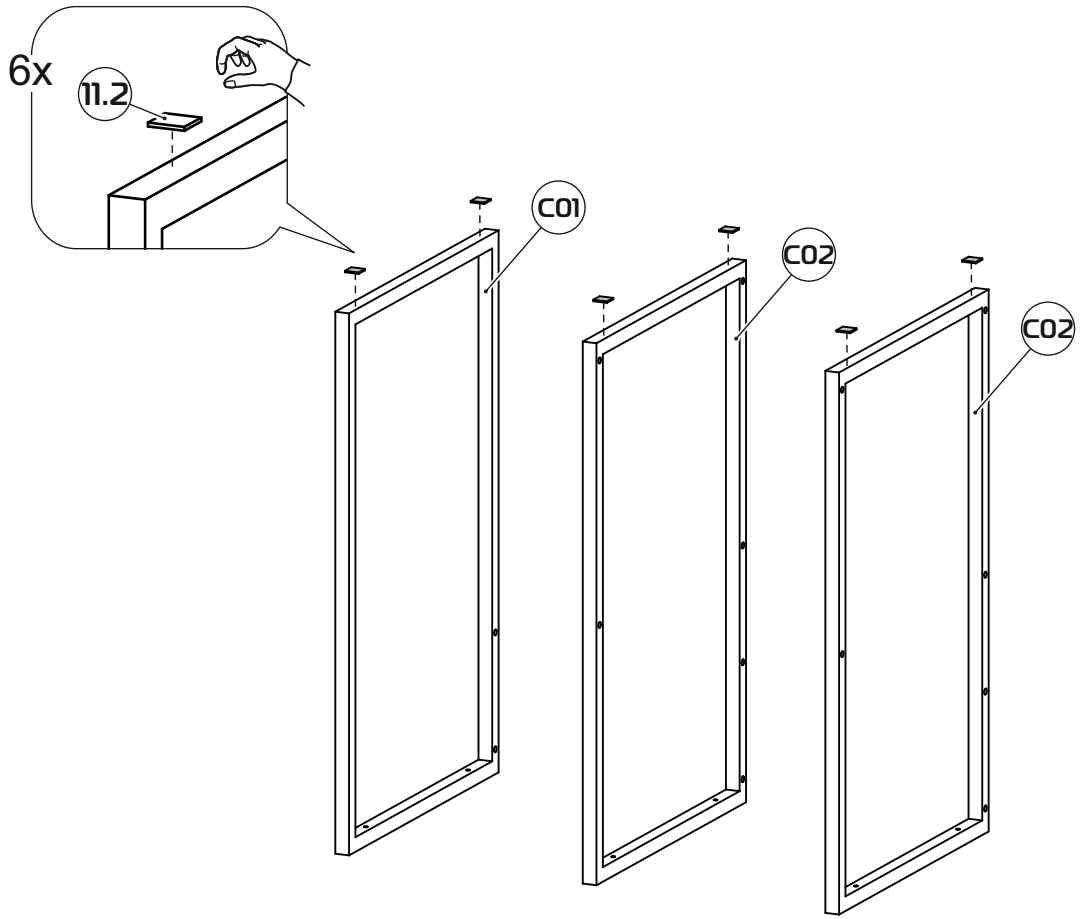


x4

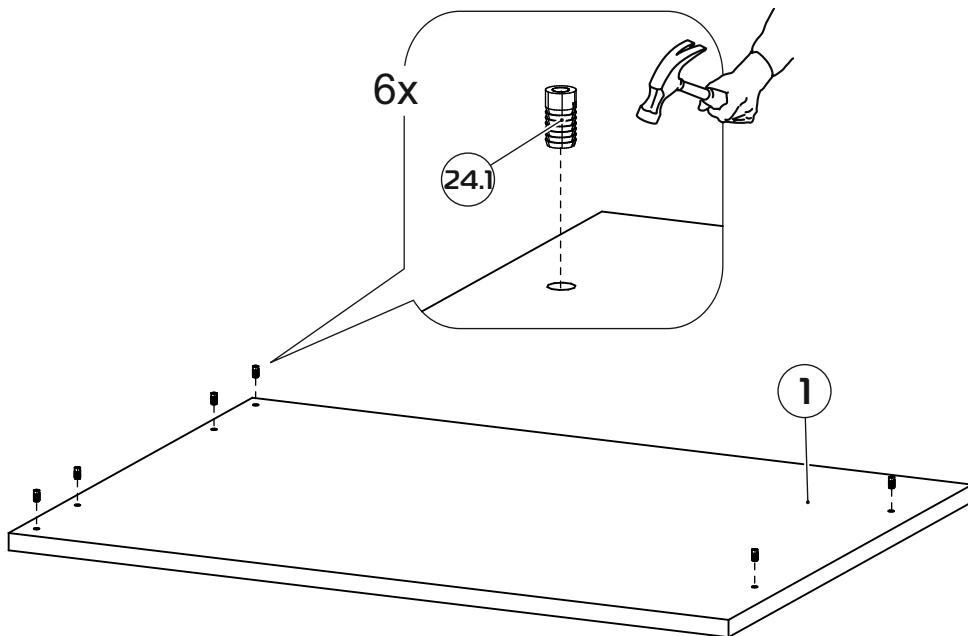
Ø8



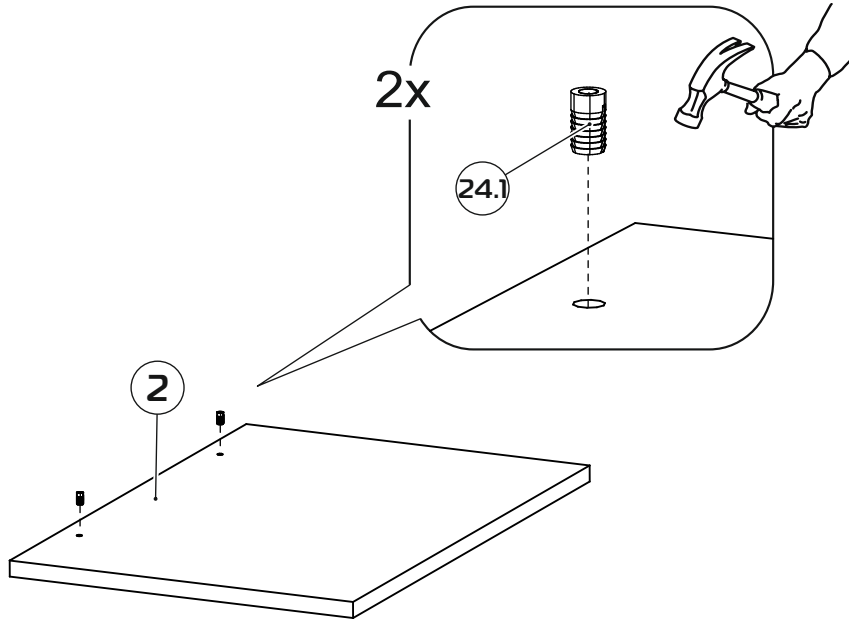
1



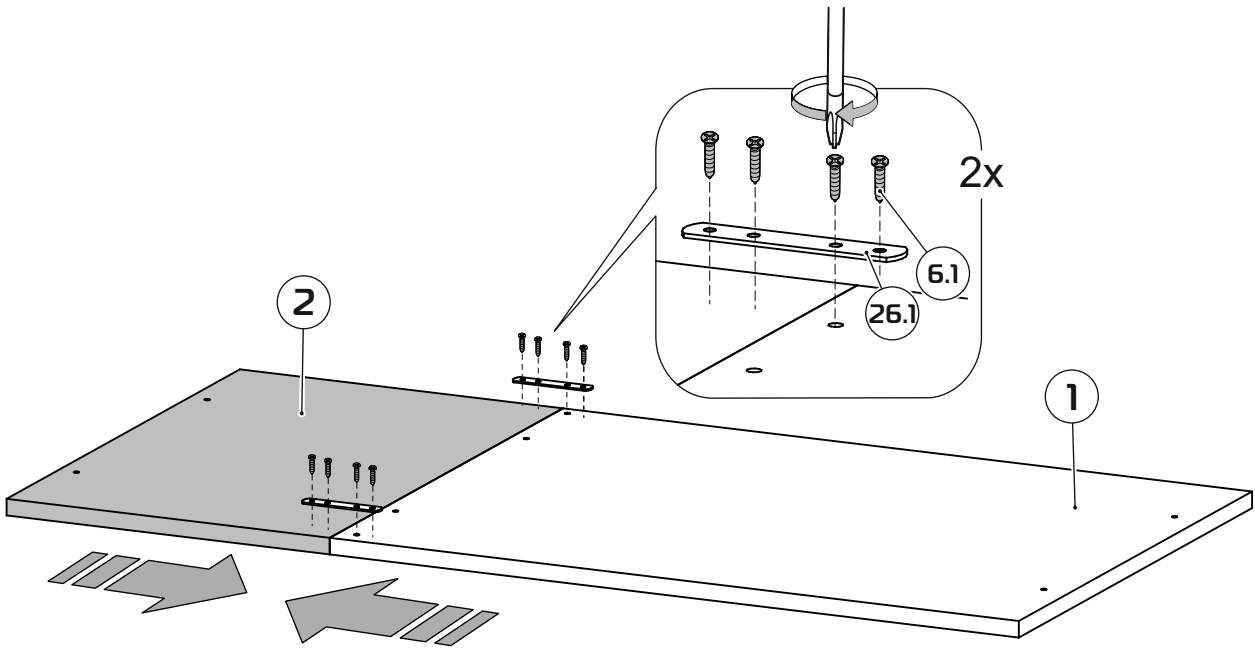
2

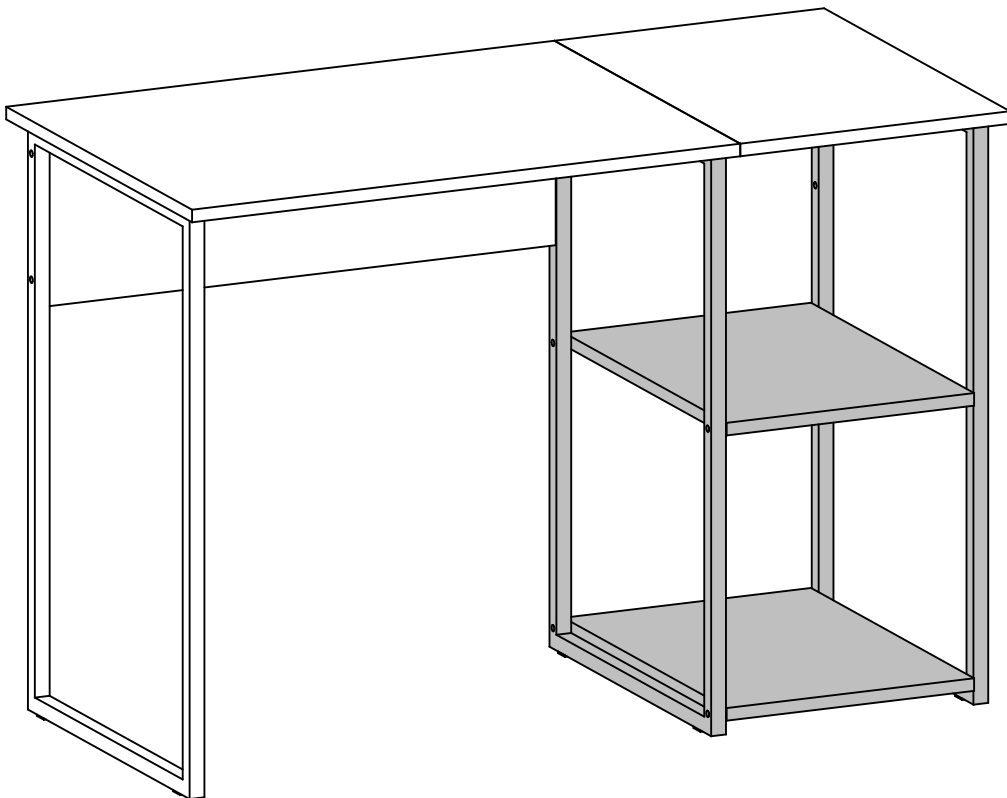
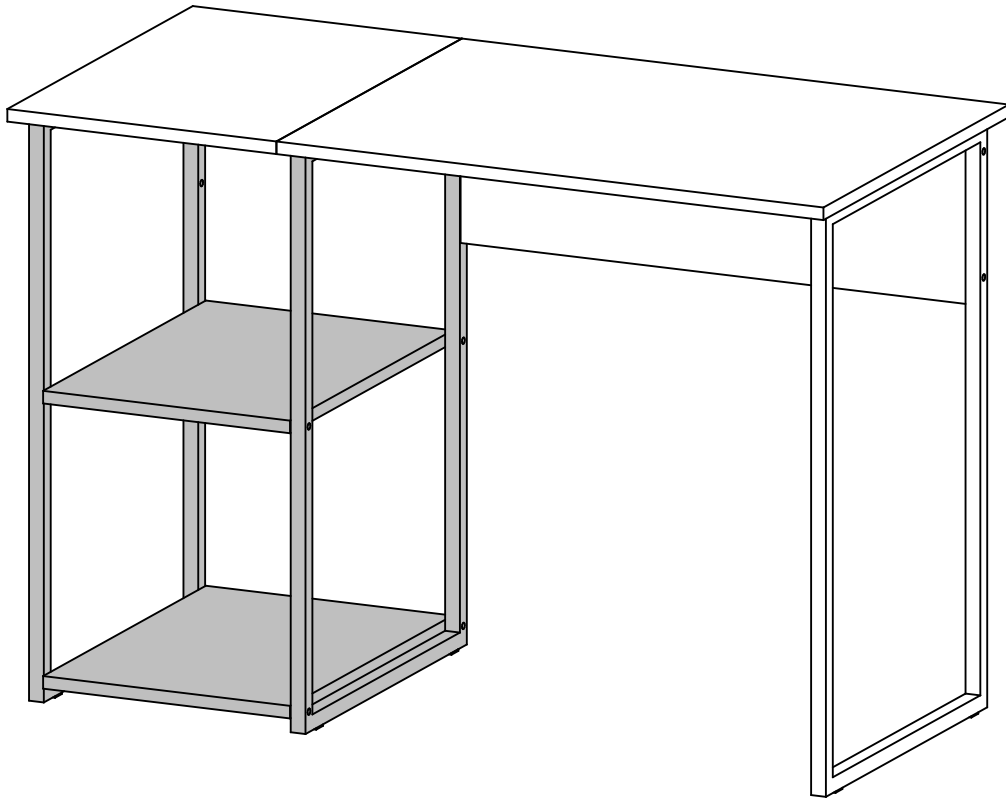


3

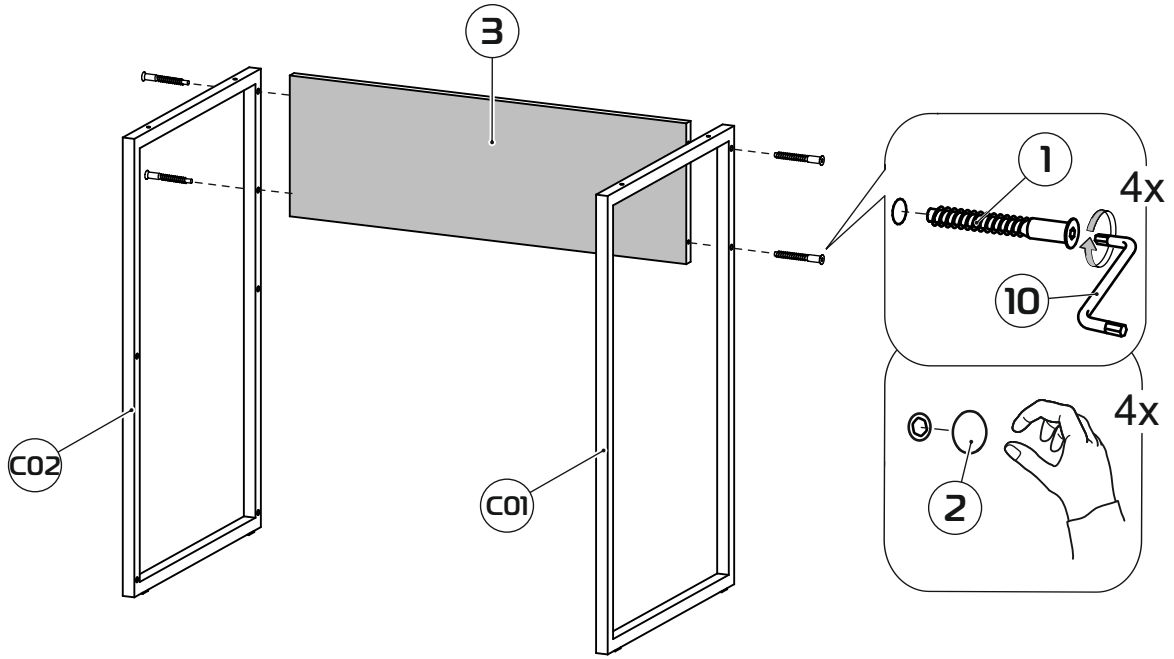


4

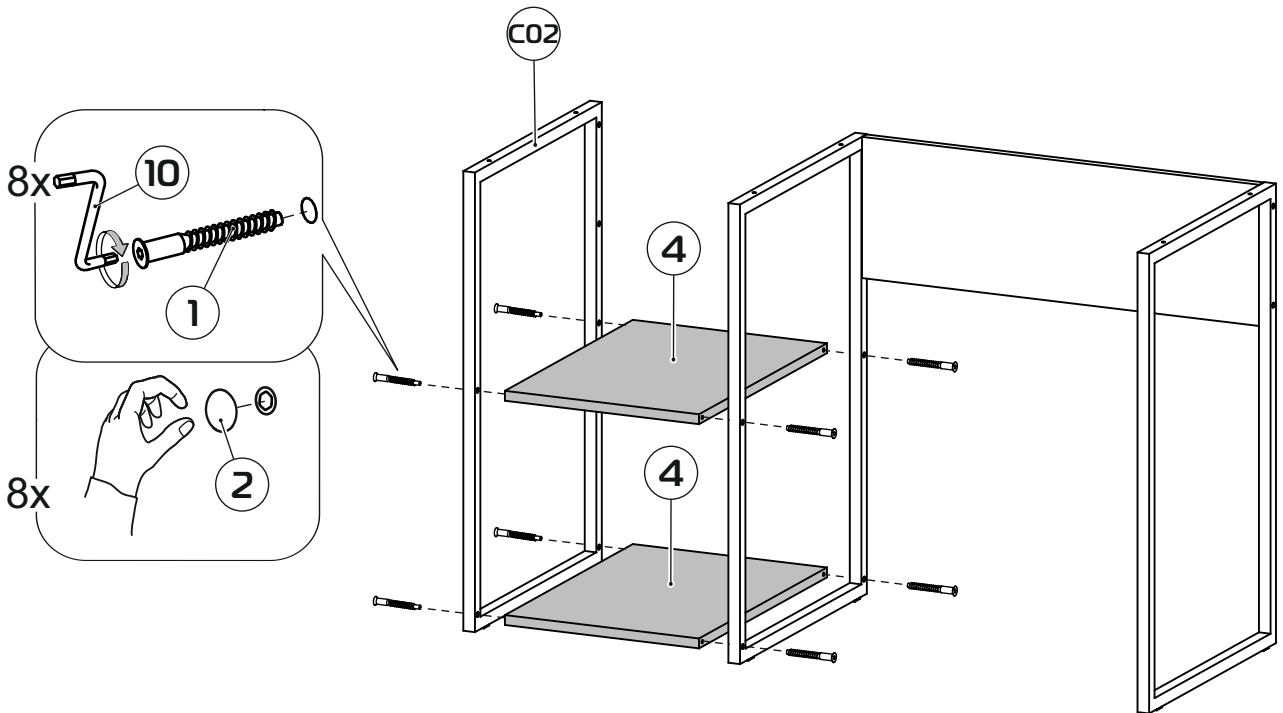




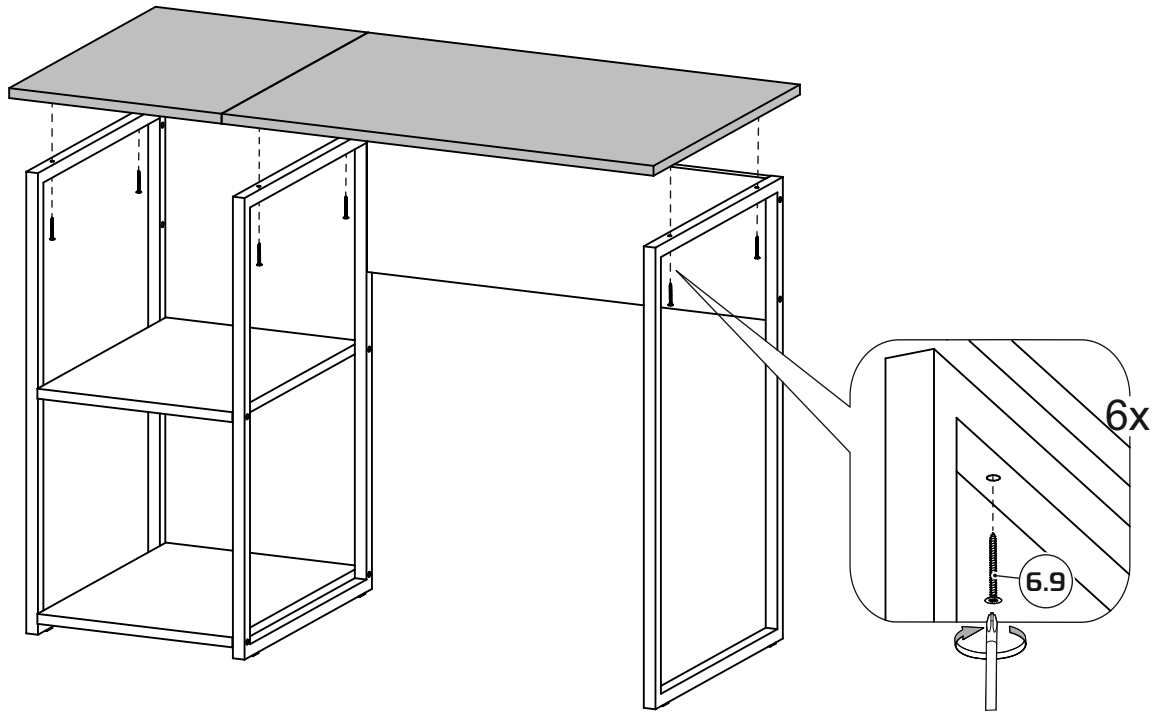
5



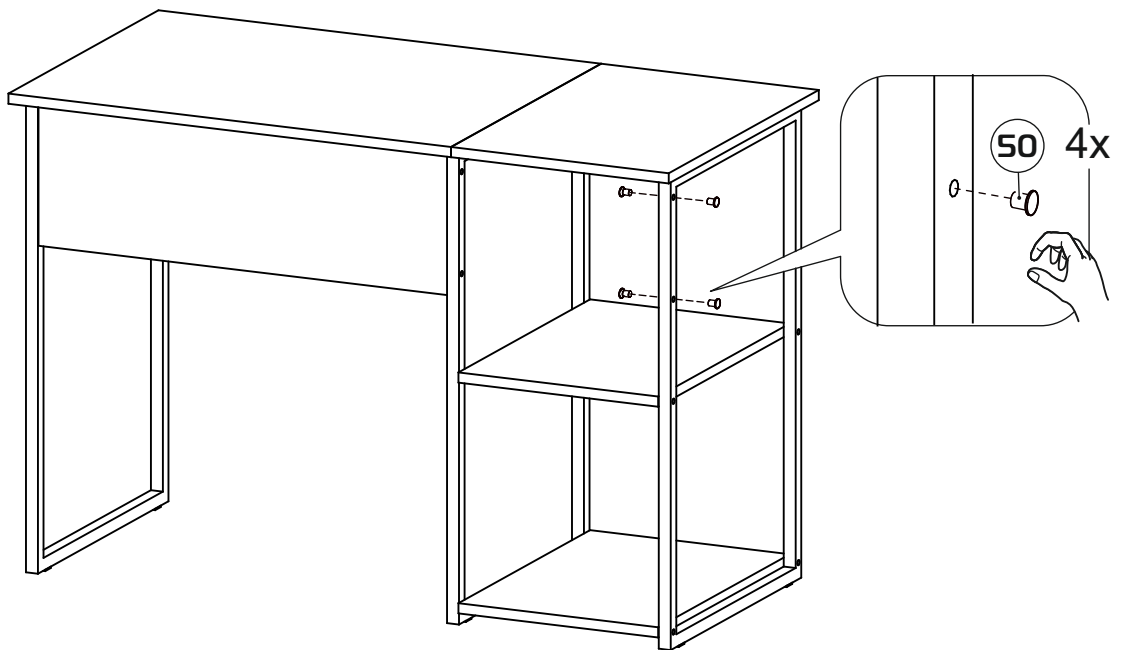
6



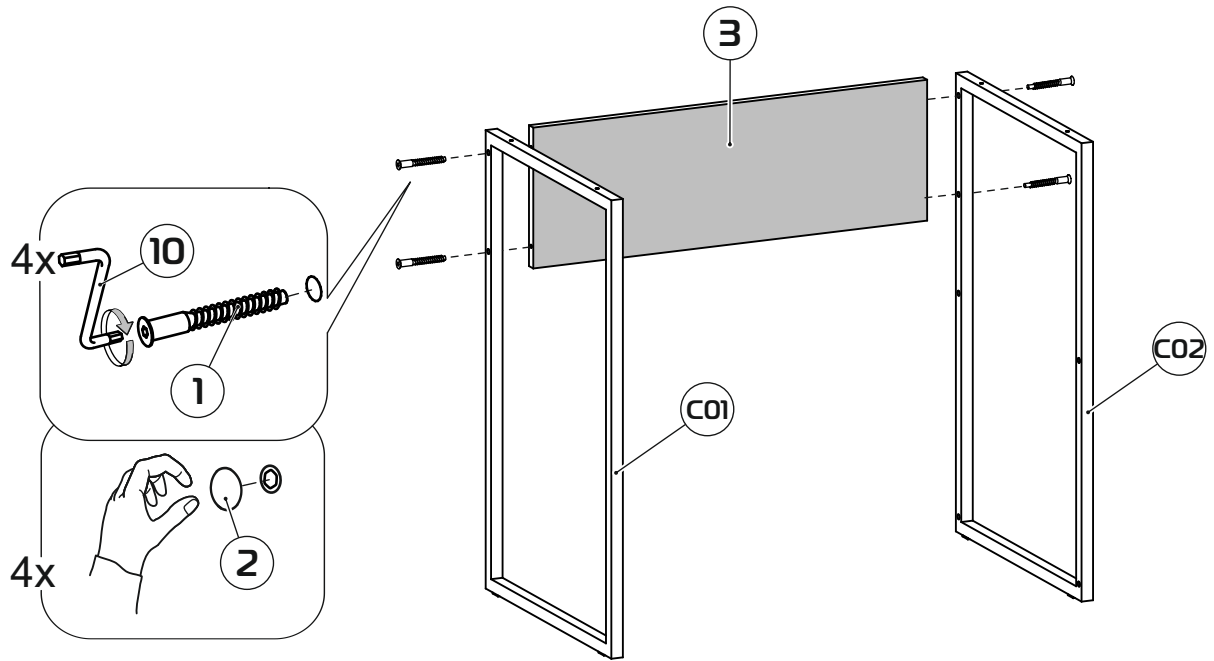
7



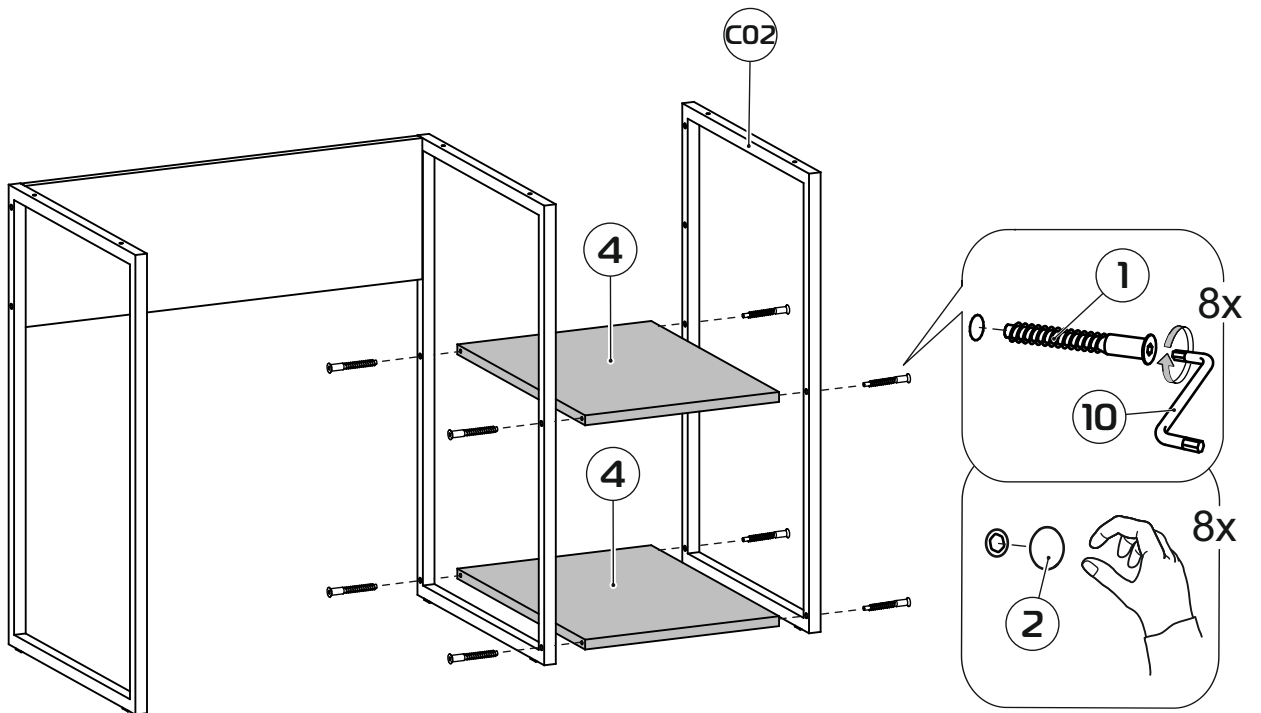
8



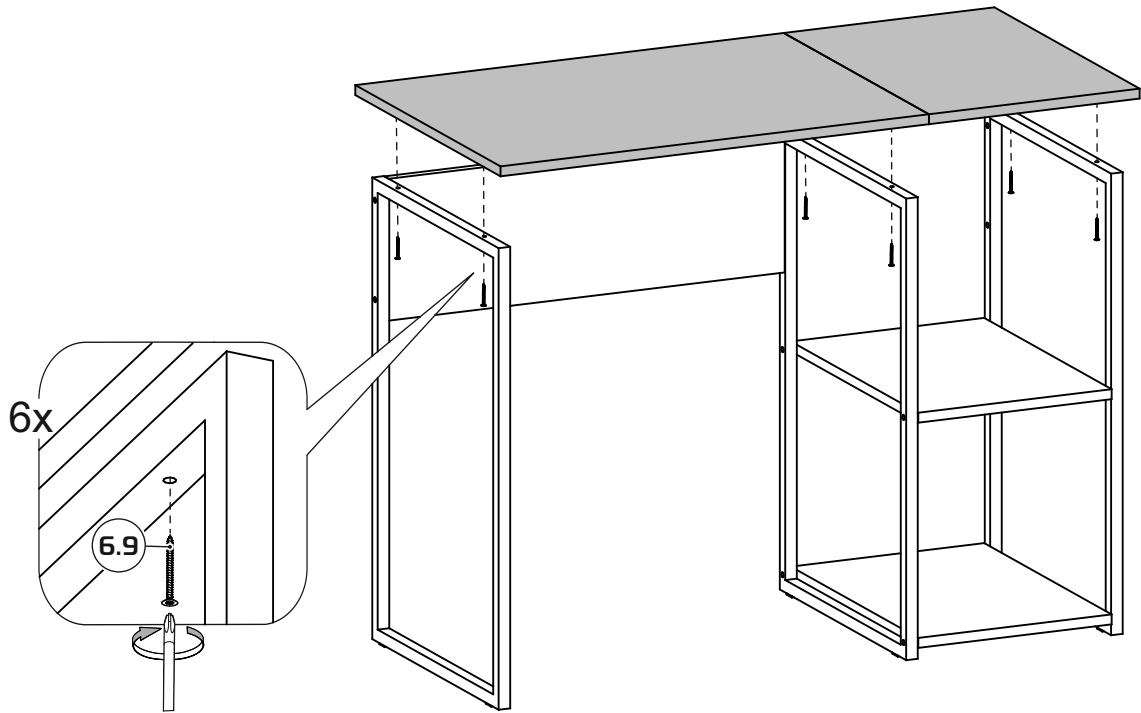
9



10



11



12

