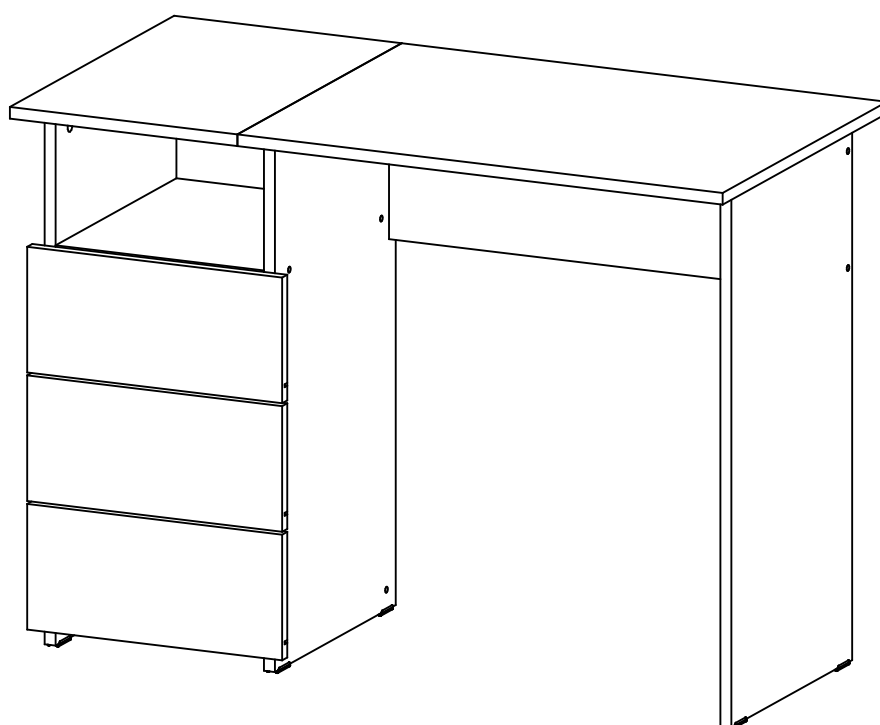
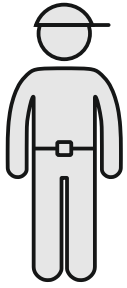


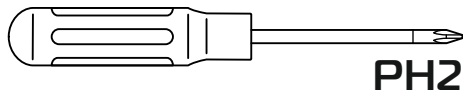
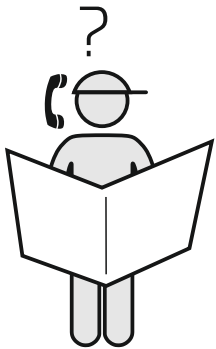
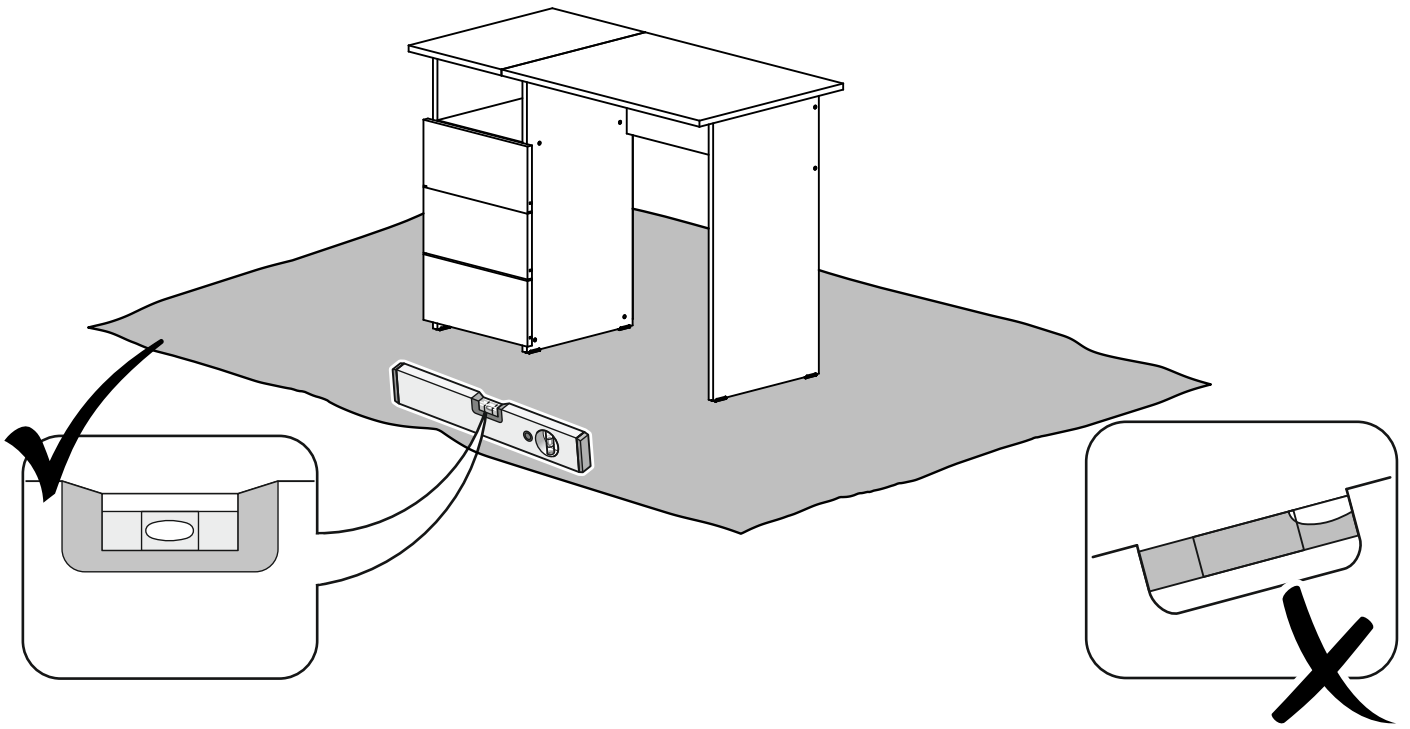
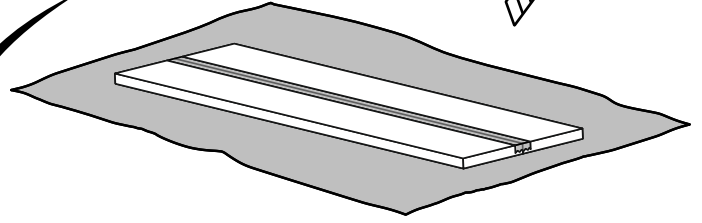
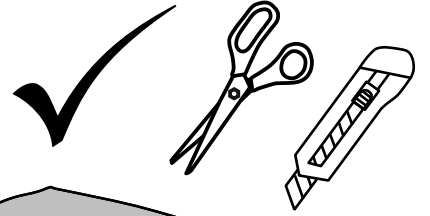
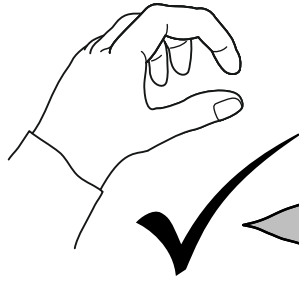
# ВИТТО-31

# VITTO-31

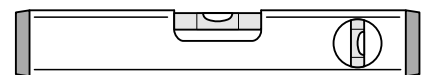
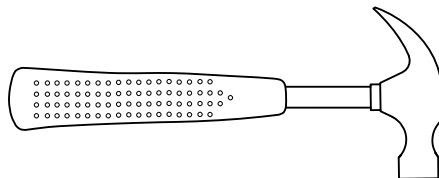
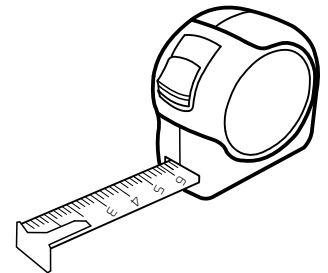


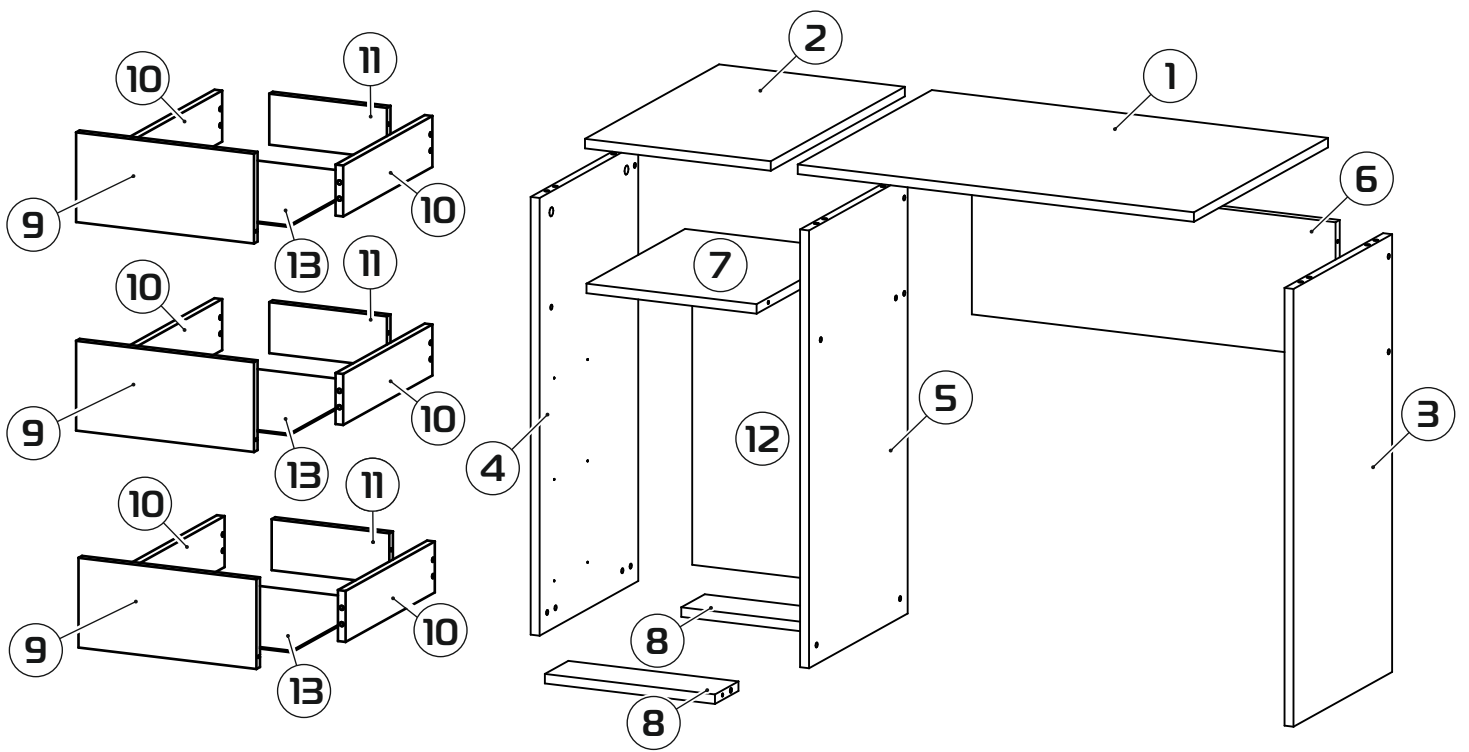


75-90 min



PH2





① 708x514x16 (x1)

⑦ 378x304x16 (x1)

② 332x514x16 (x1)

⑧ 90x304x16 (x2)

③ 734x378x16 (x1)

⑨ 372x172x16 (x3)

④ 734x378x16 (x1)

⑩ 100x350x16 (x6)

⑤ 734x378x16 (x1)

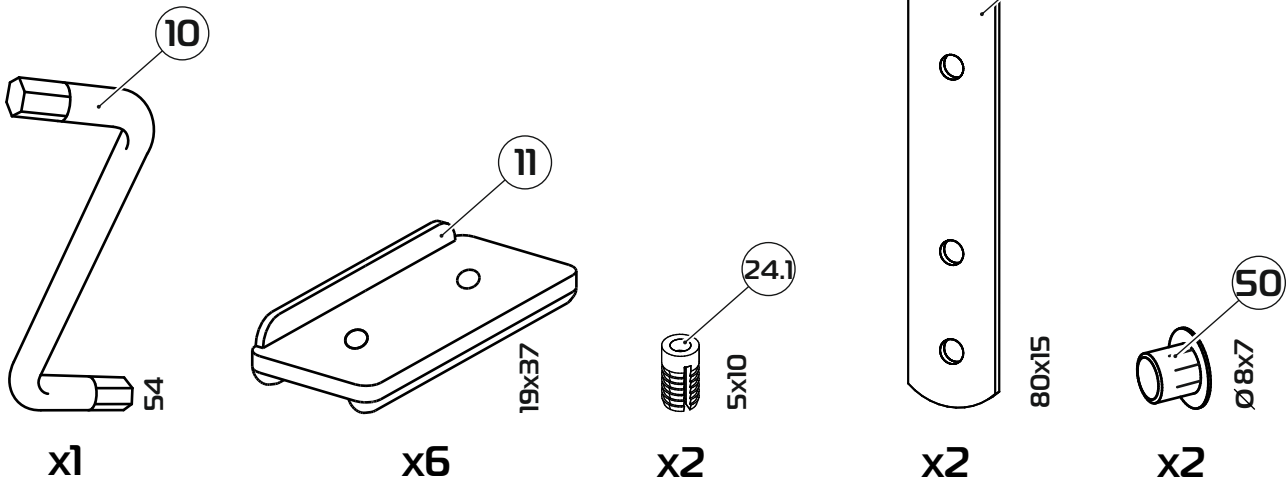
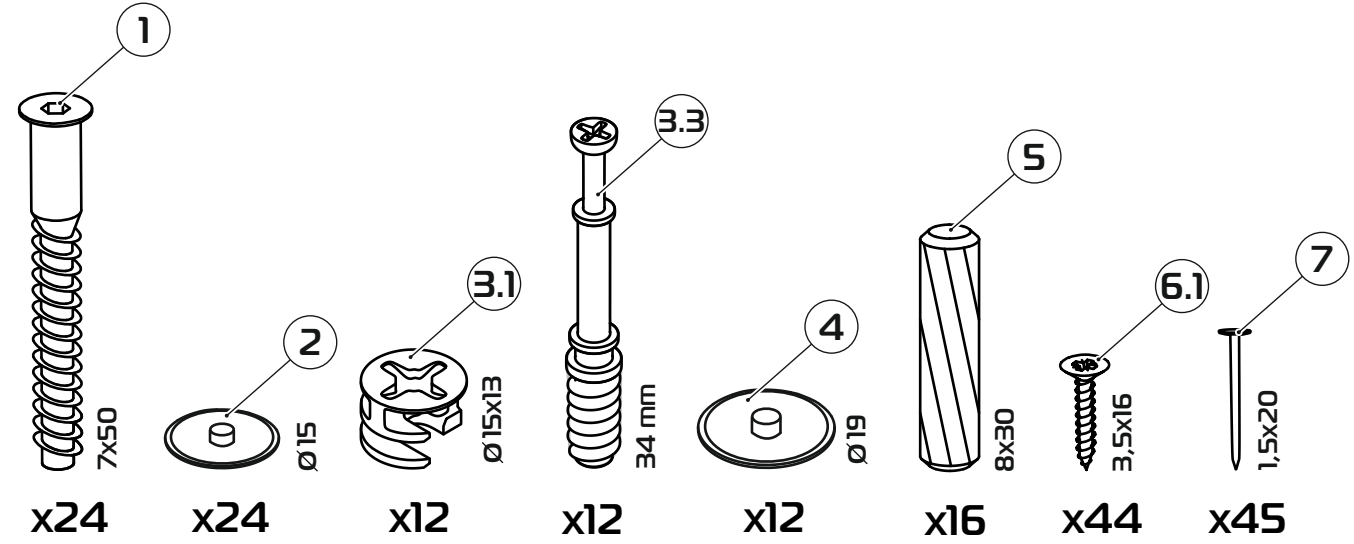
⑪ 100x246x16 (x3)

⑥ 228x650x16 (x1)

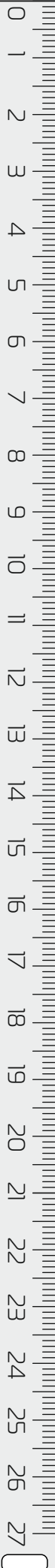
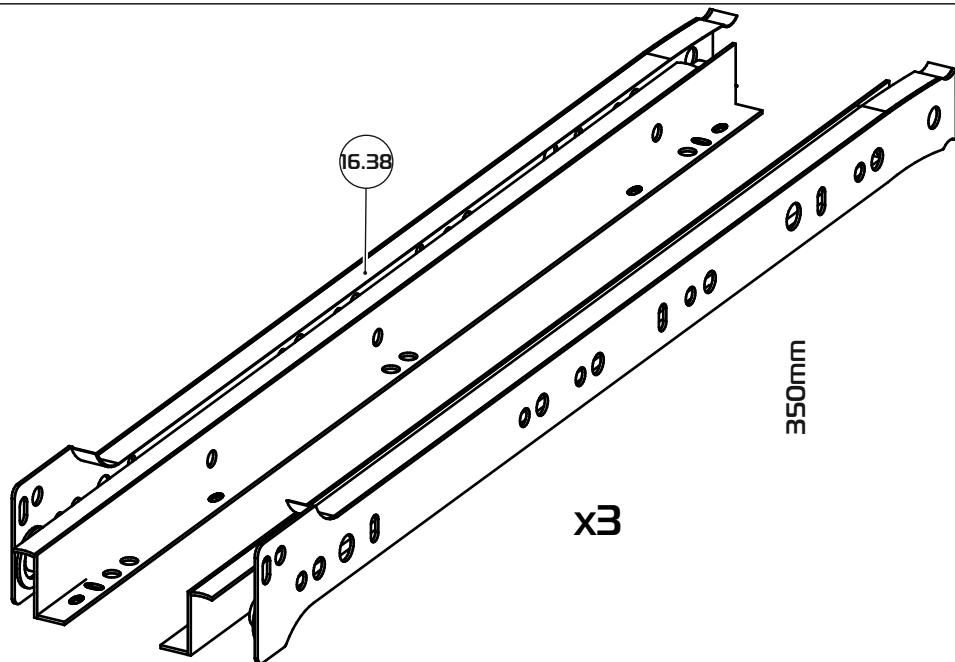
⑫ 530x332x3 (x1)

⑬ 276x355x3 (x3)

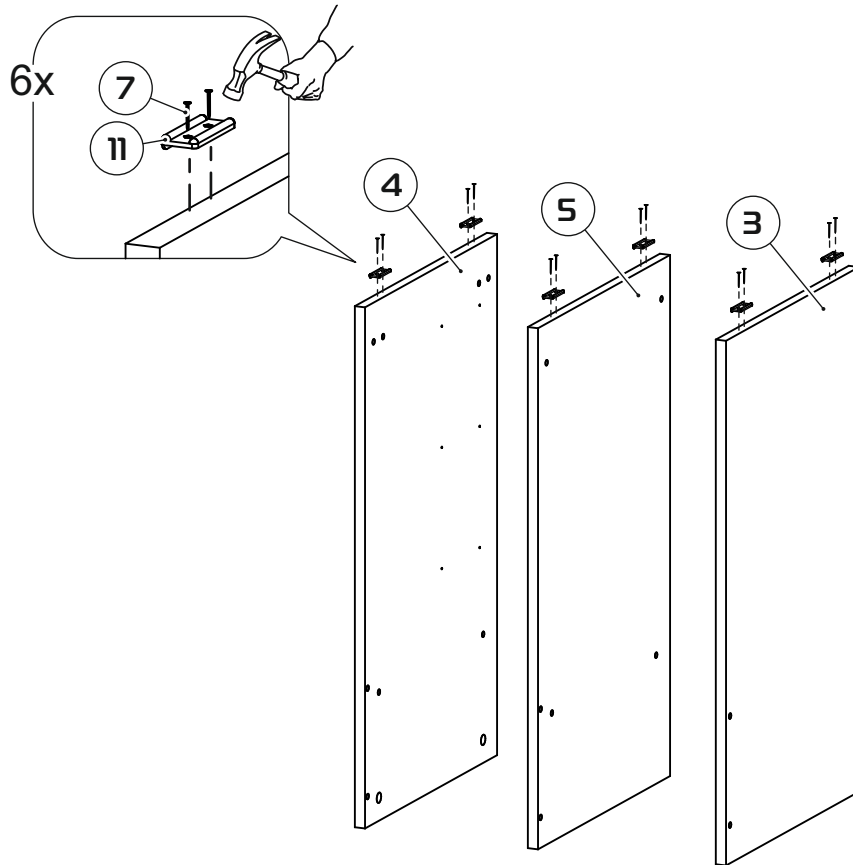
1:1



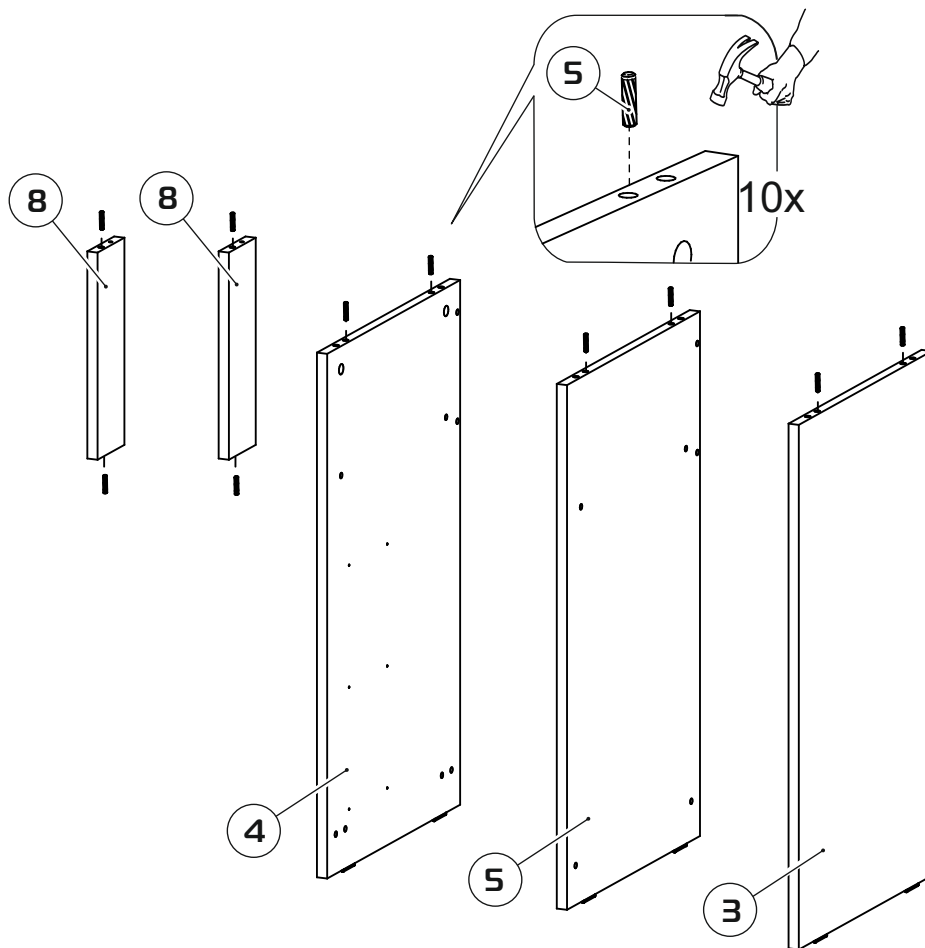
1:3



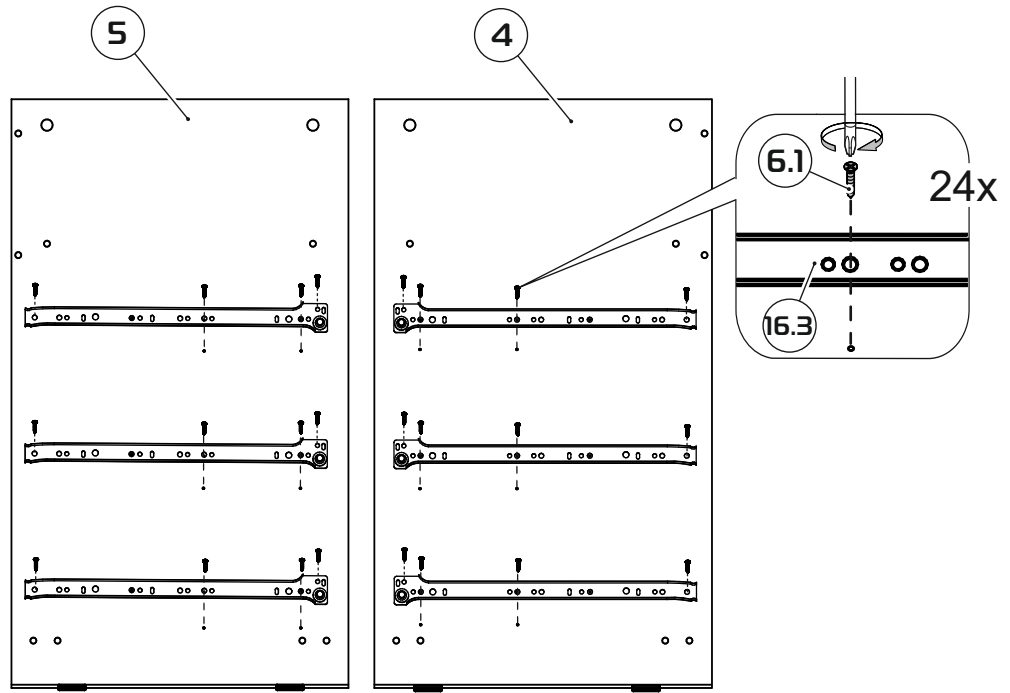
# 1



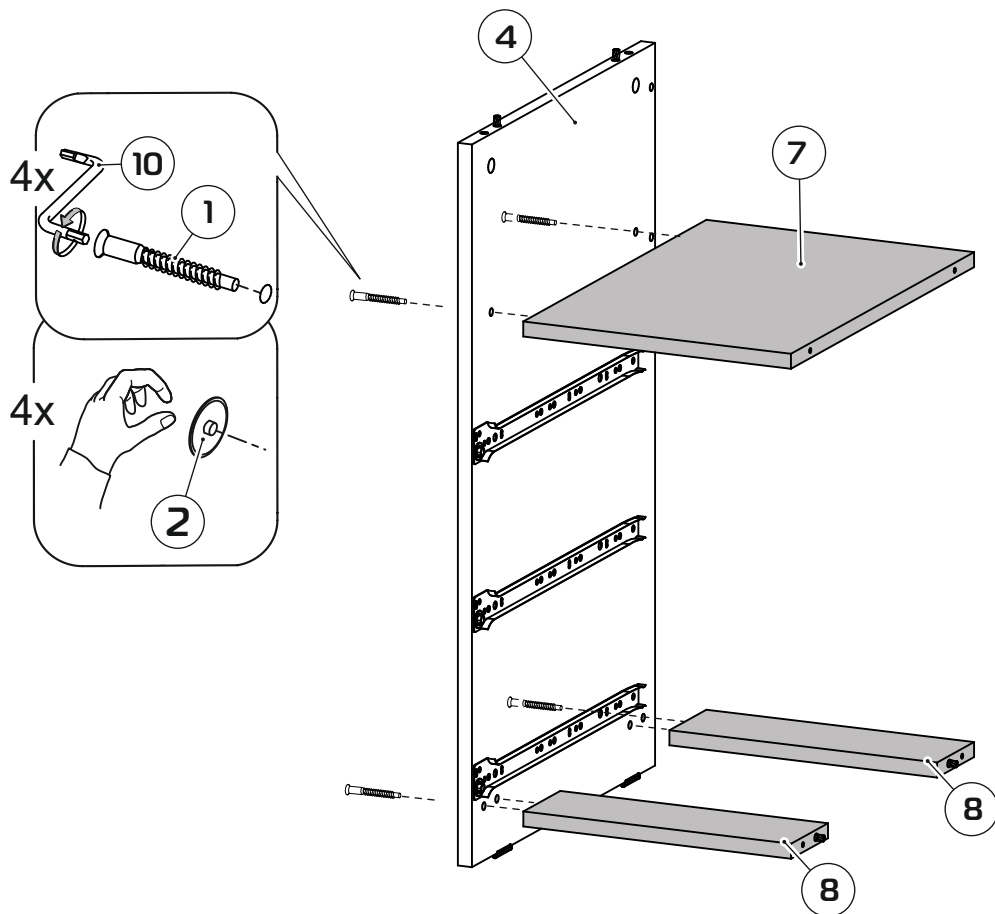
# 2



# 3

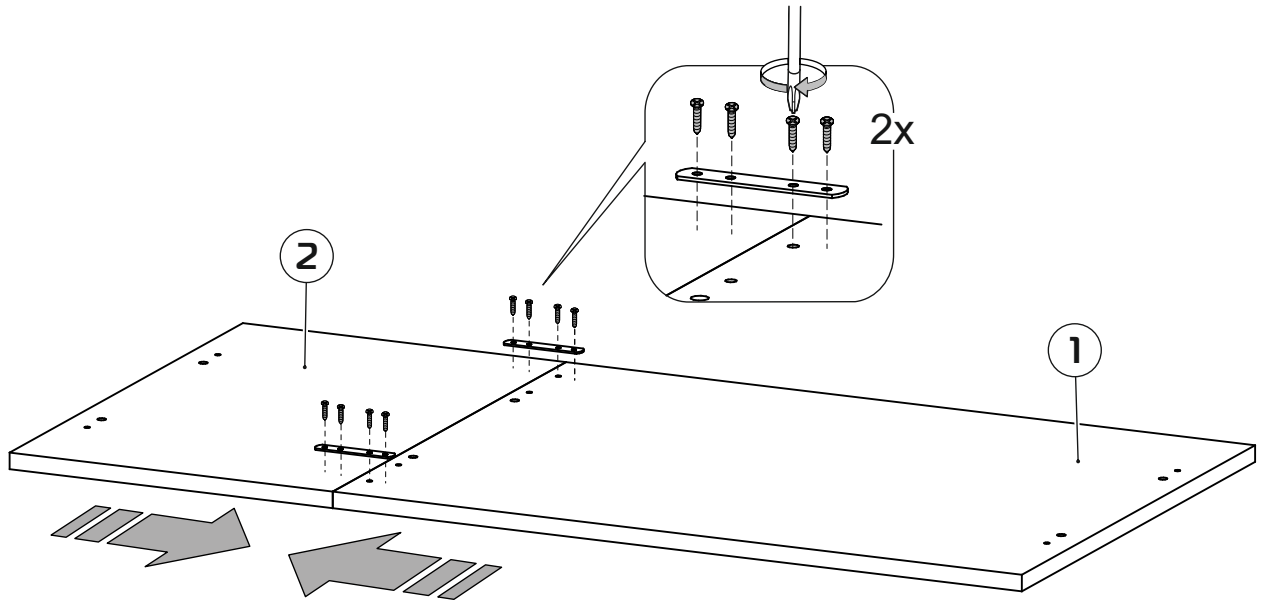


# 4

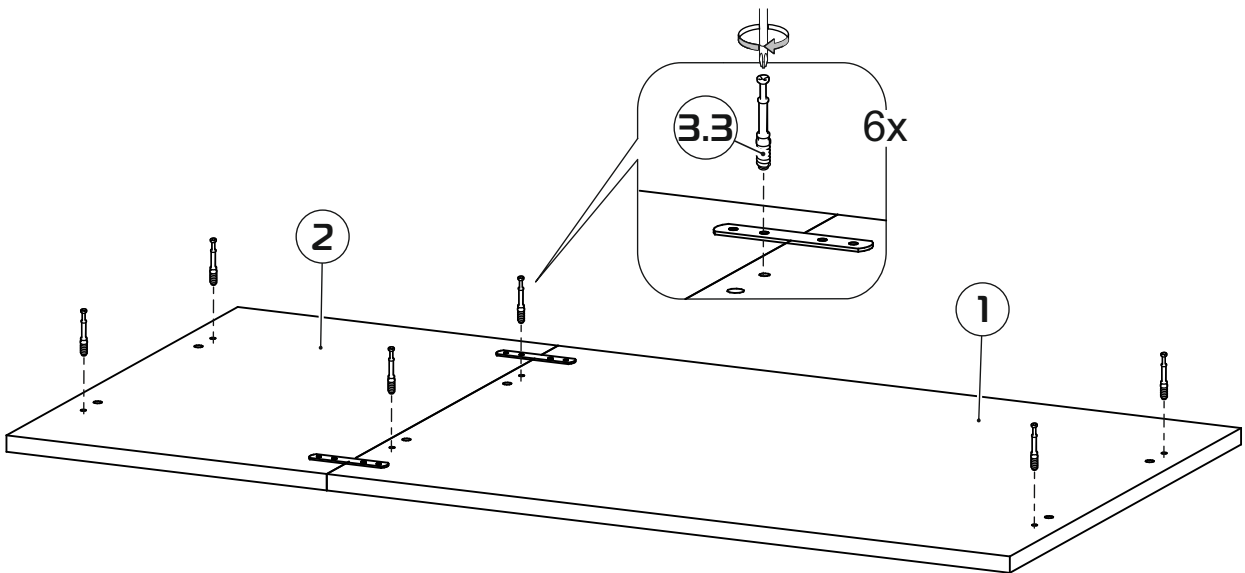




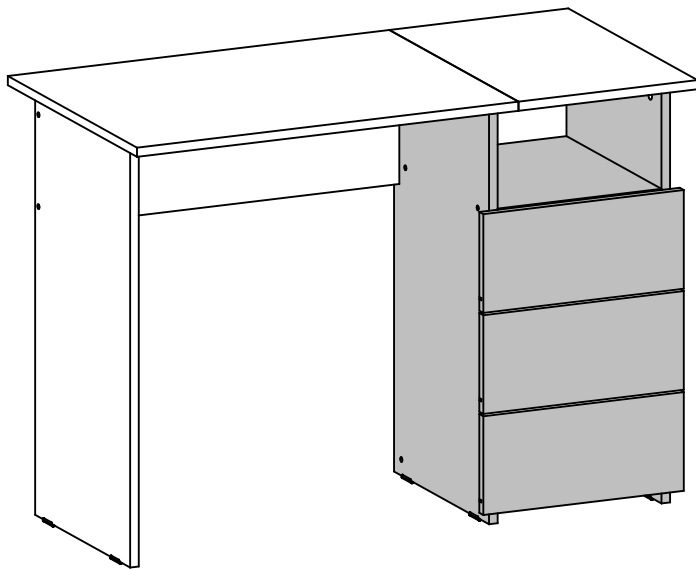
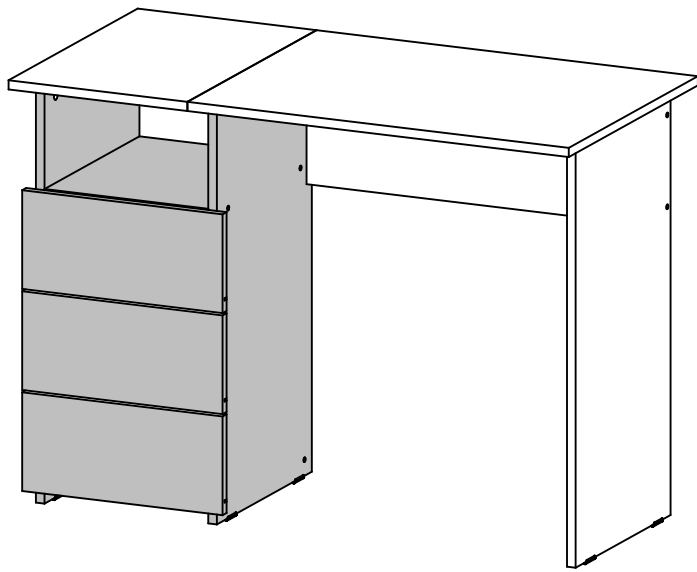
7



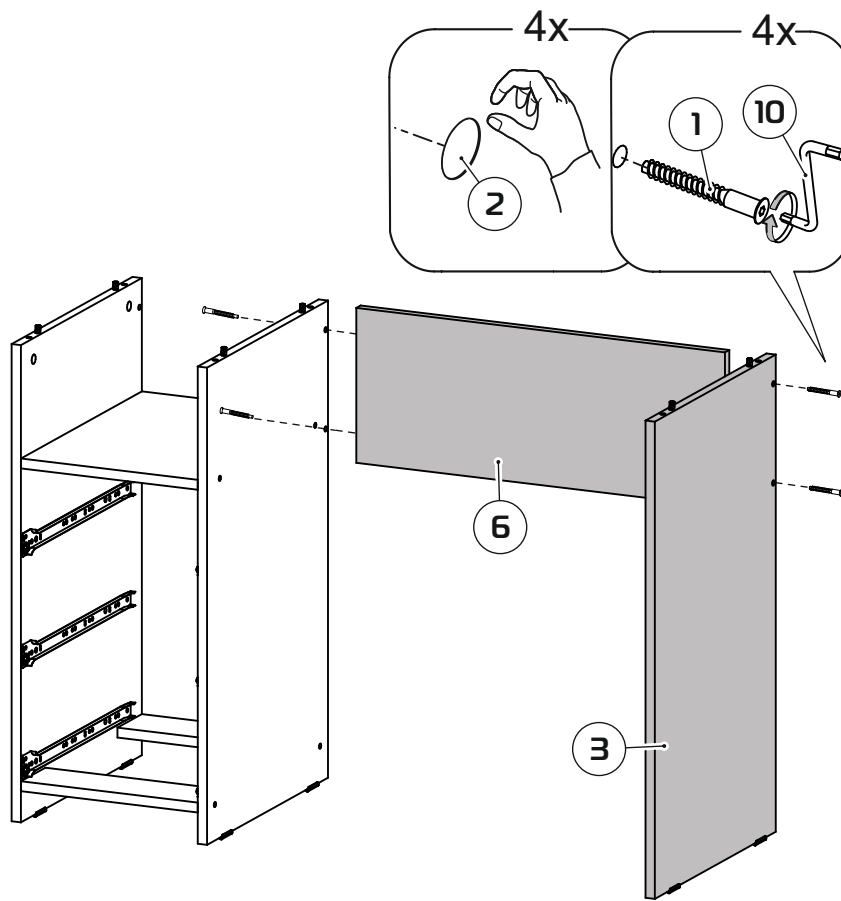
8



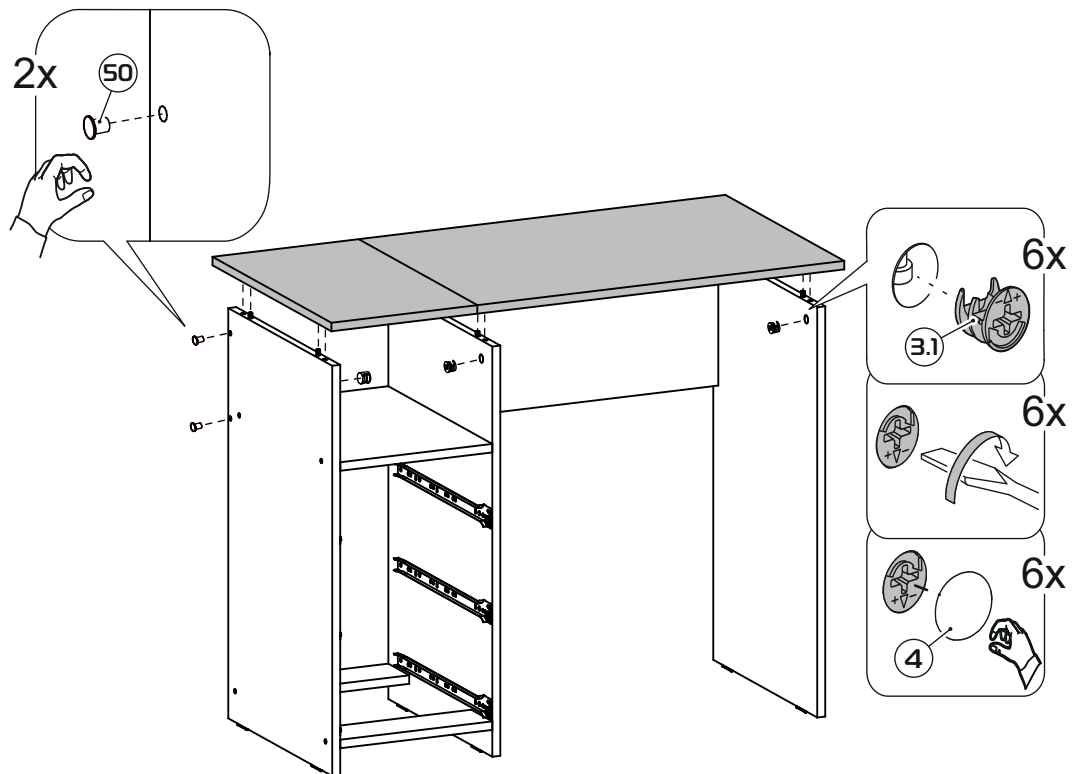




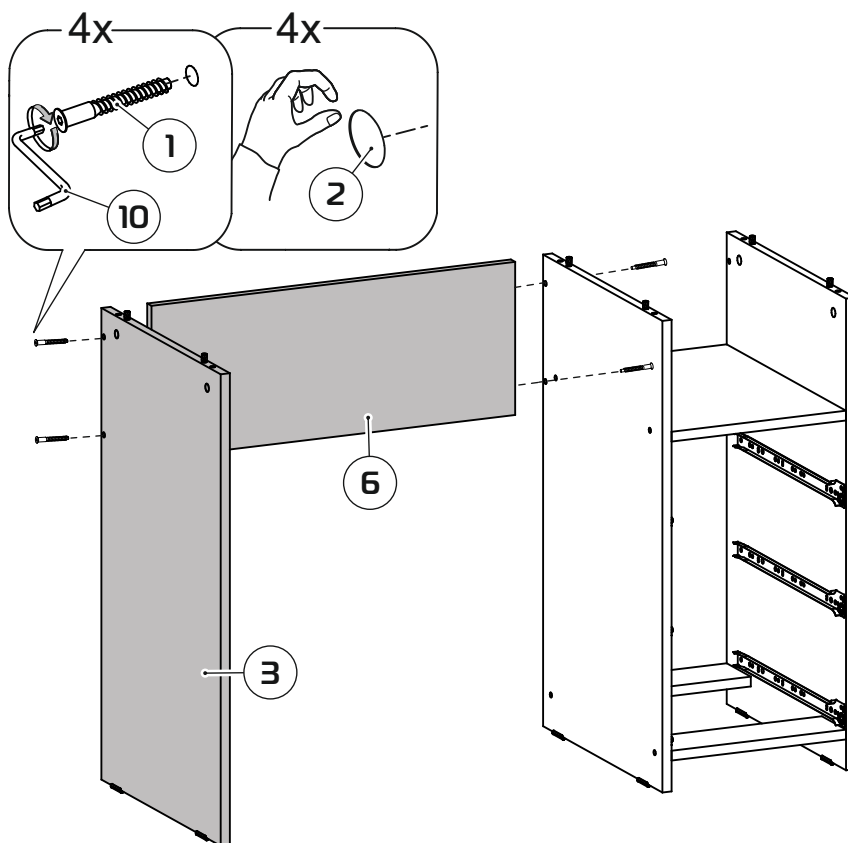
# 9



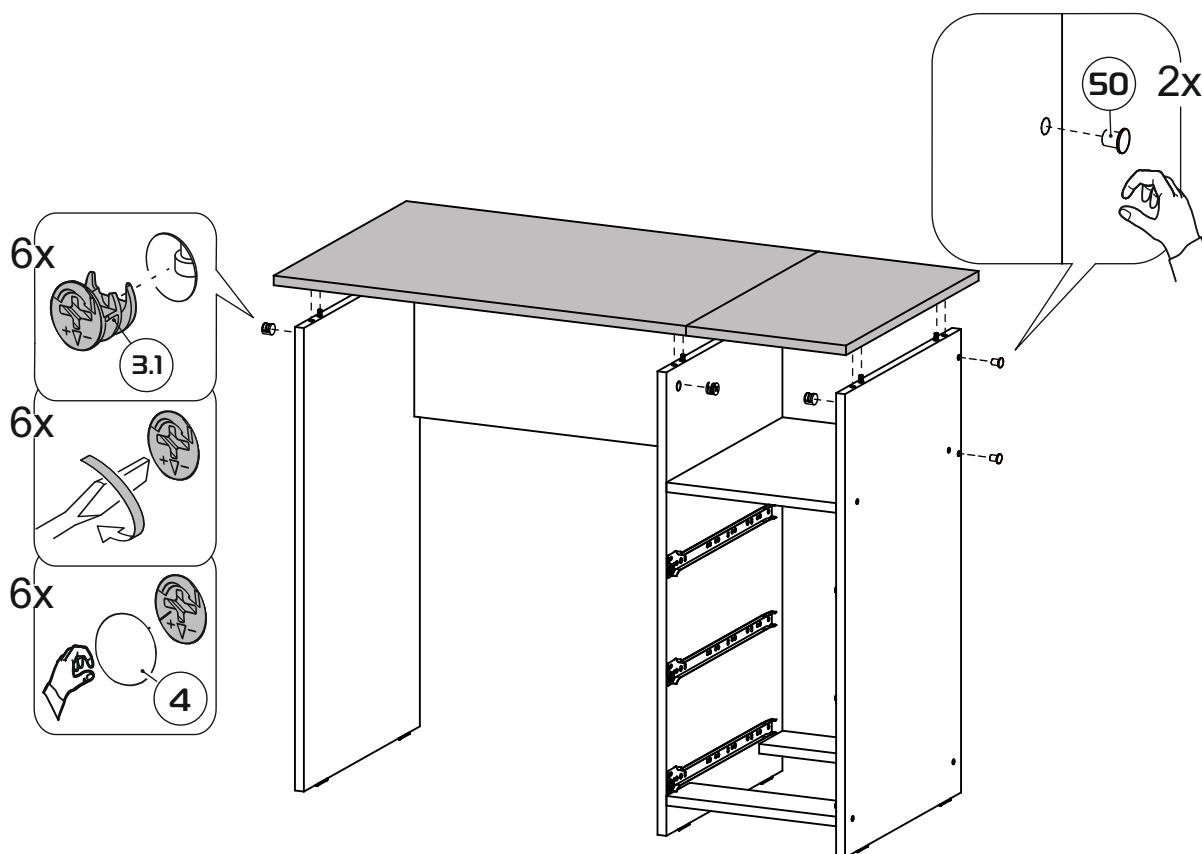
# 10



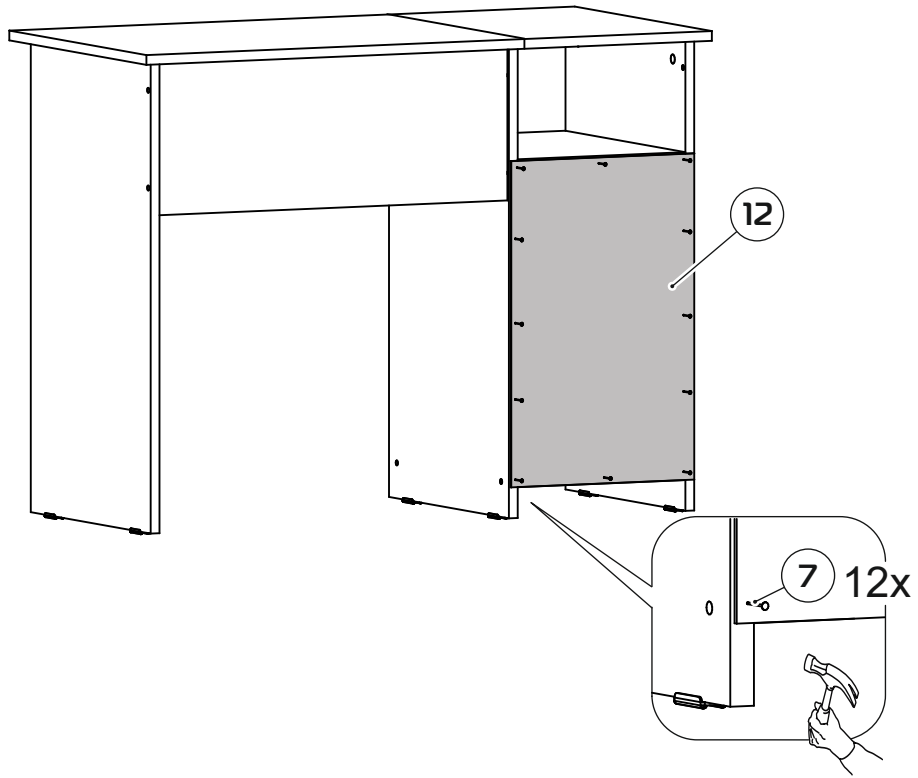
# 11



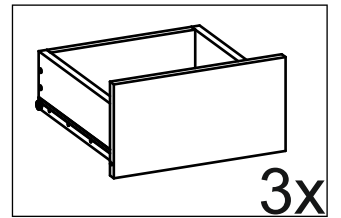
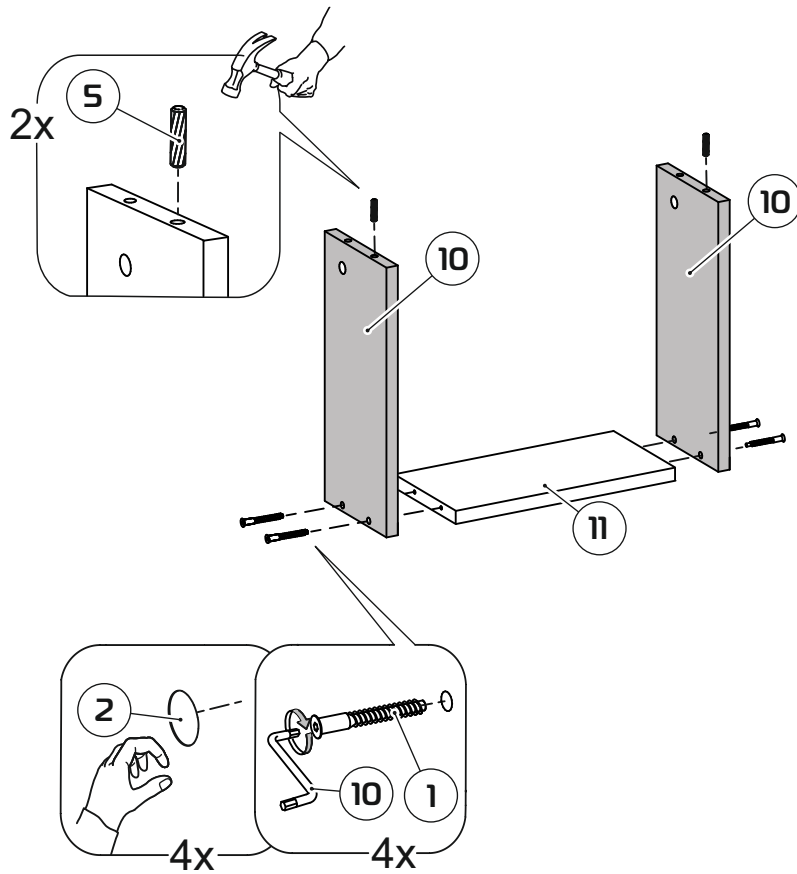
# 12



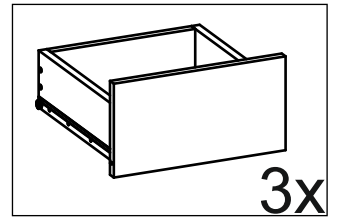
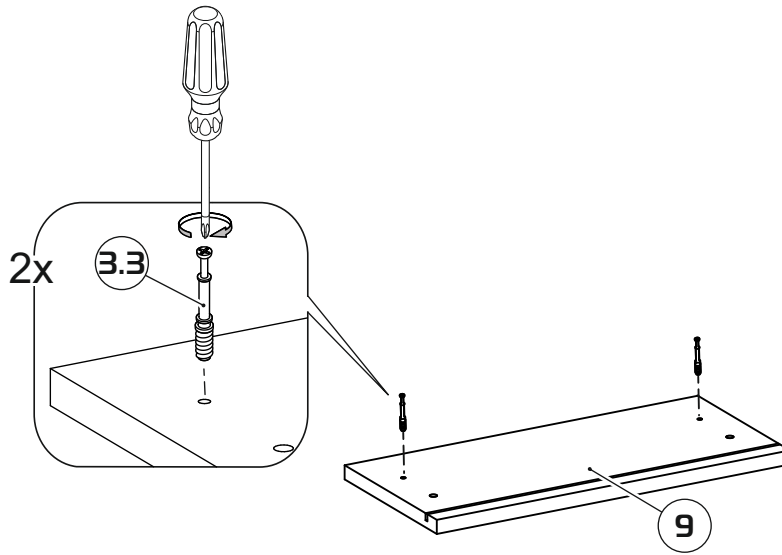
# 13



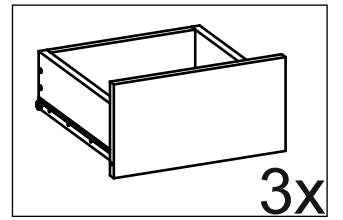
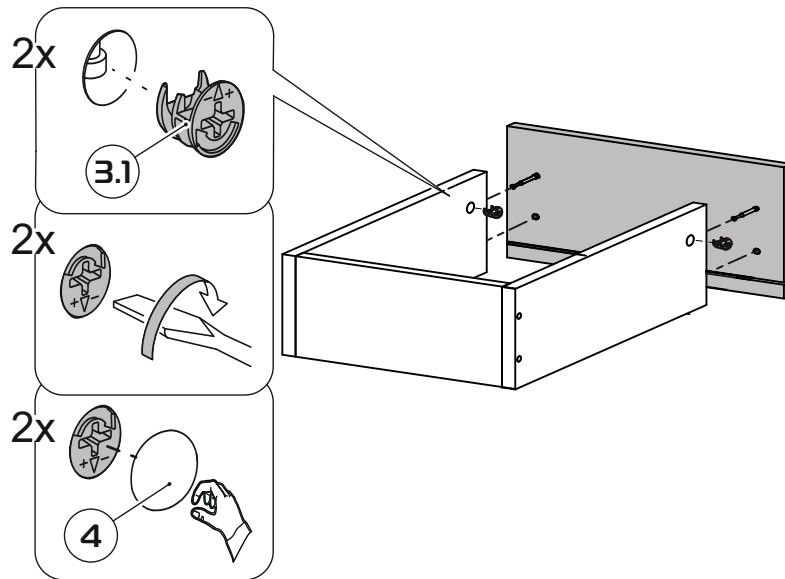
# 14



15



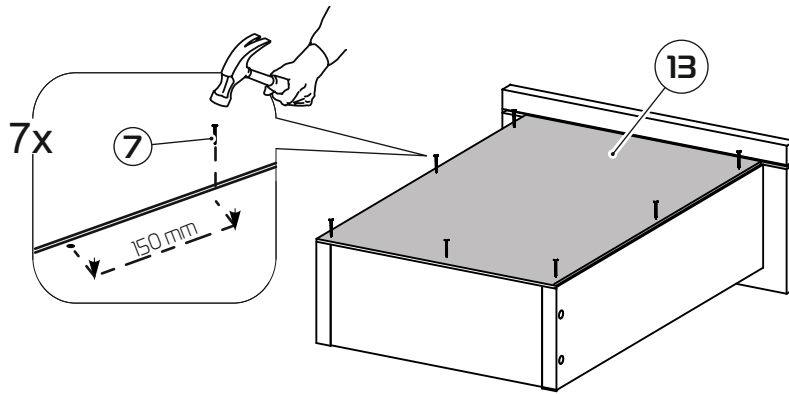
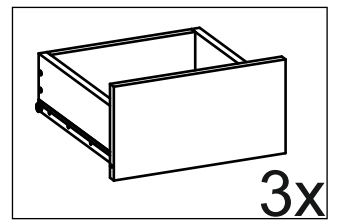
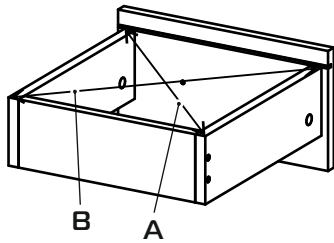
16



# 17



(A=B)



# 18

