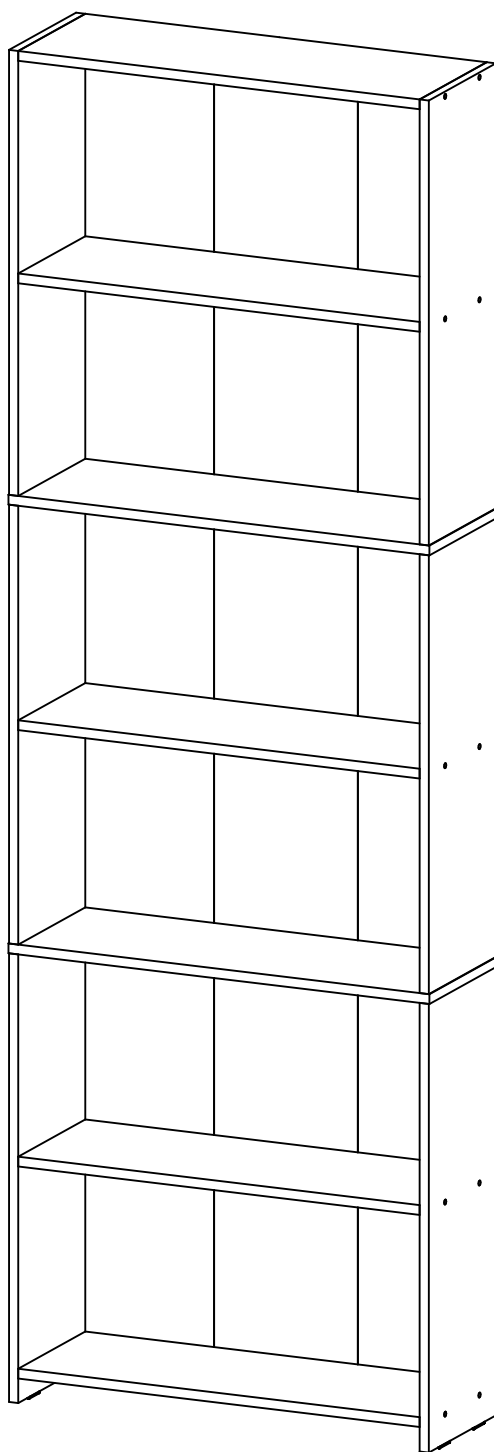
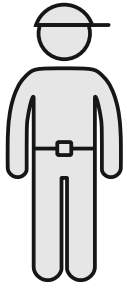


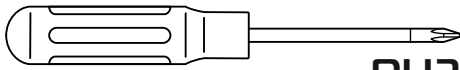
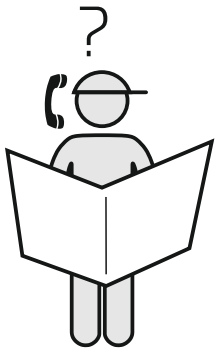
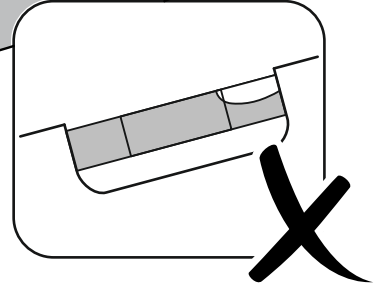
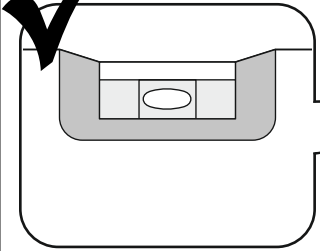
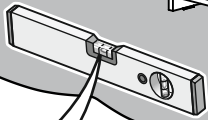
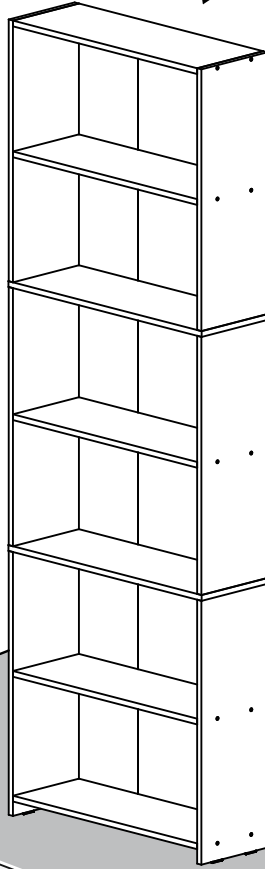
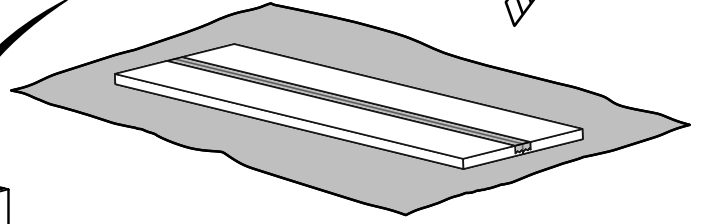
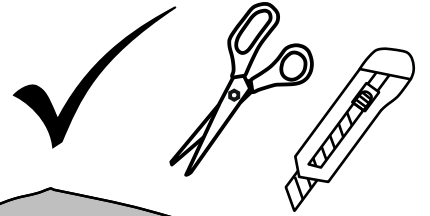
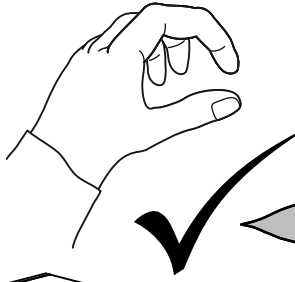
# ФАЙН-11

# FAIN-11

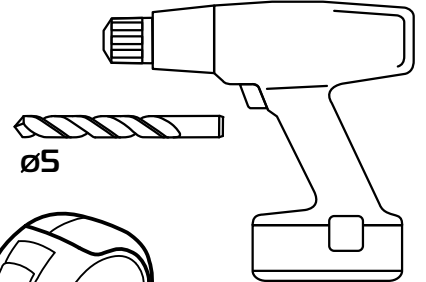
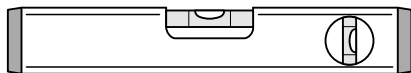
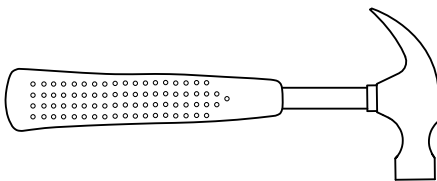




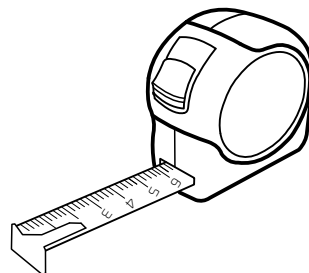
60-75 min

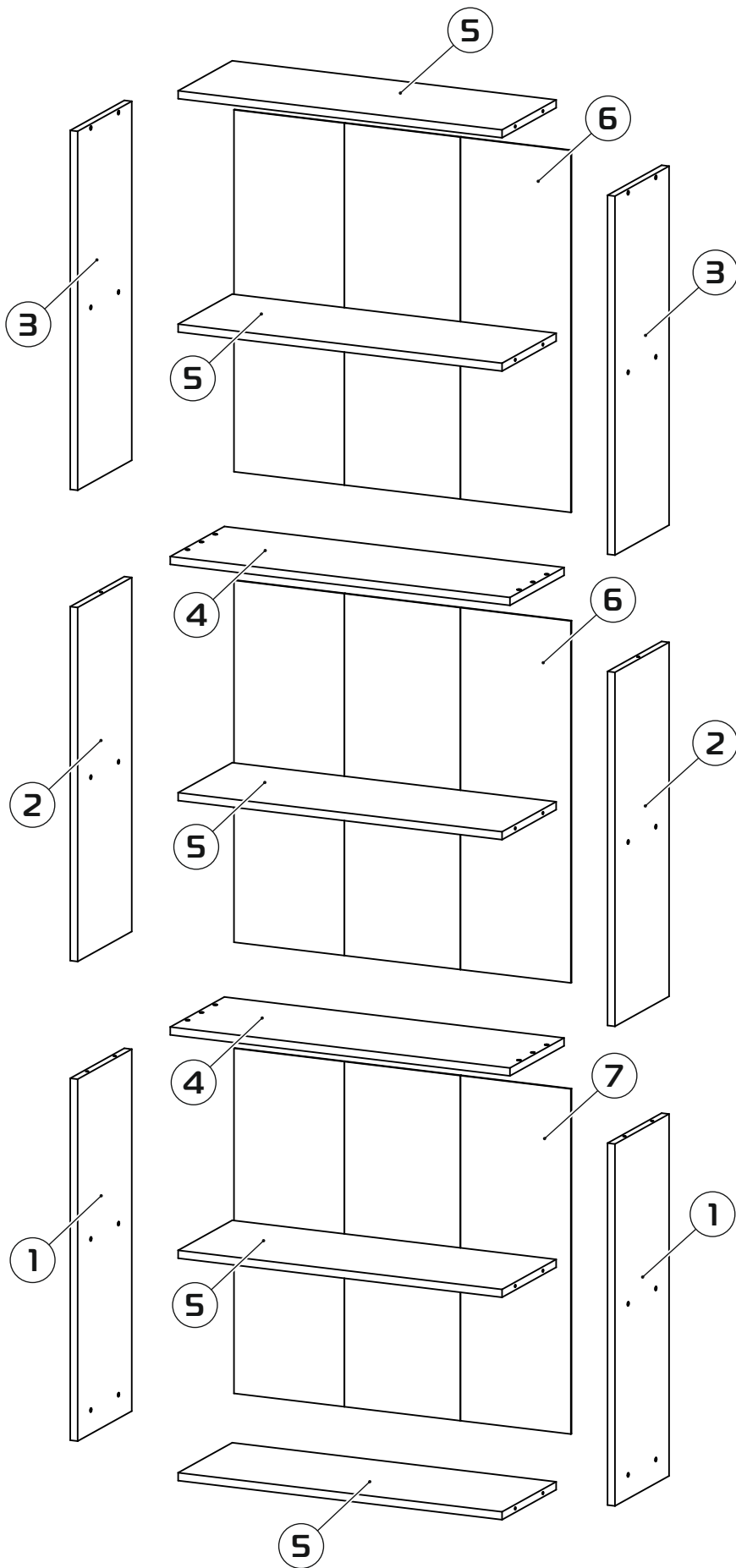


PH2



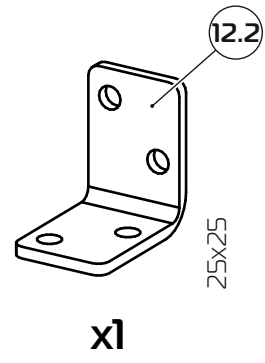
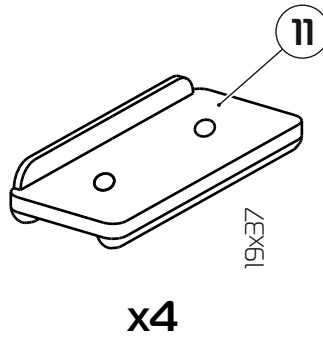
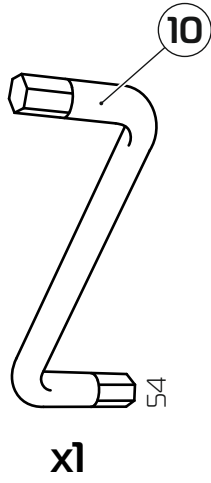
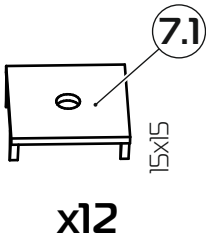
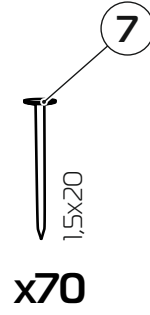
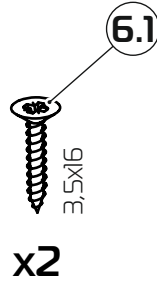
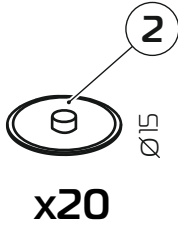
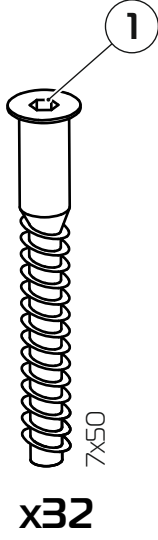
ø5





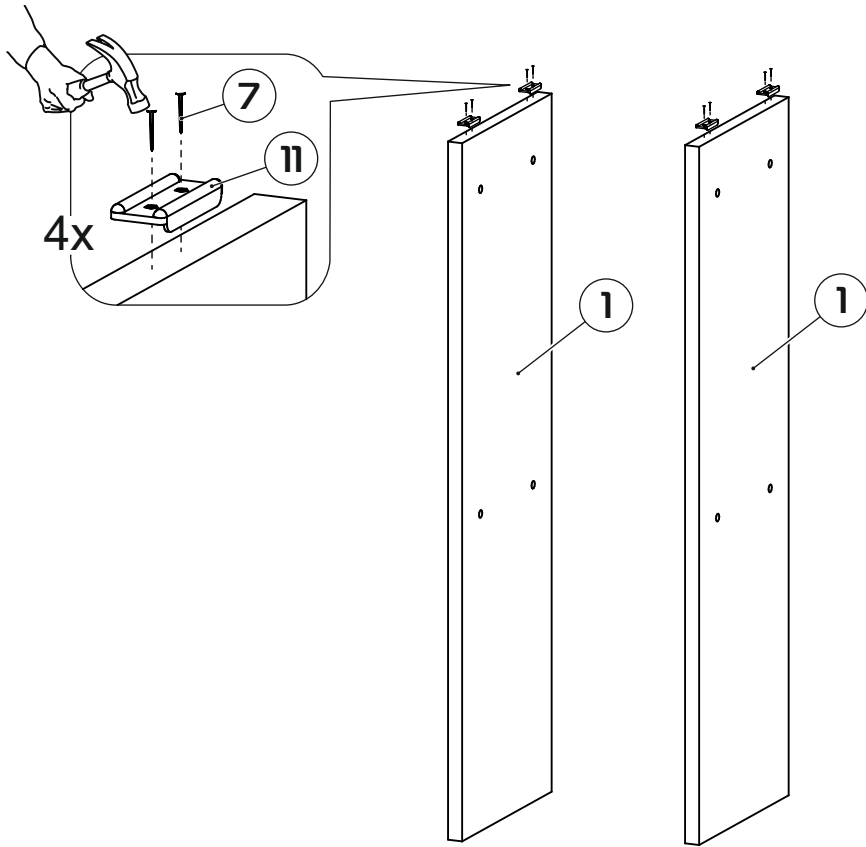
- ① 732x250x16 (x2)
- ② 716x250x16 (x2)
- ③ 726x250x16 (x2)
- ④ 732x250x16 (x2)
- ⑤ 698x250x16 (x5)
- ⑥ 732x238/250/238x3 (x2)
- ⑦ 698x238/250/238x3 (x1)

1:1

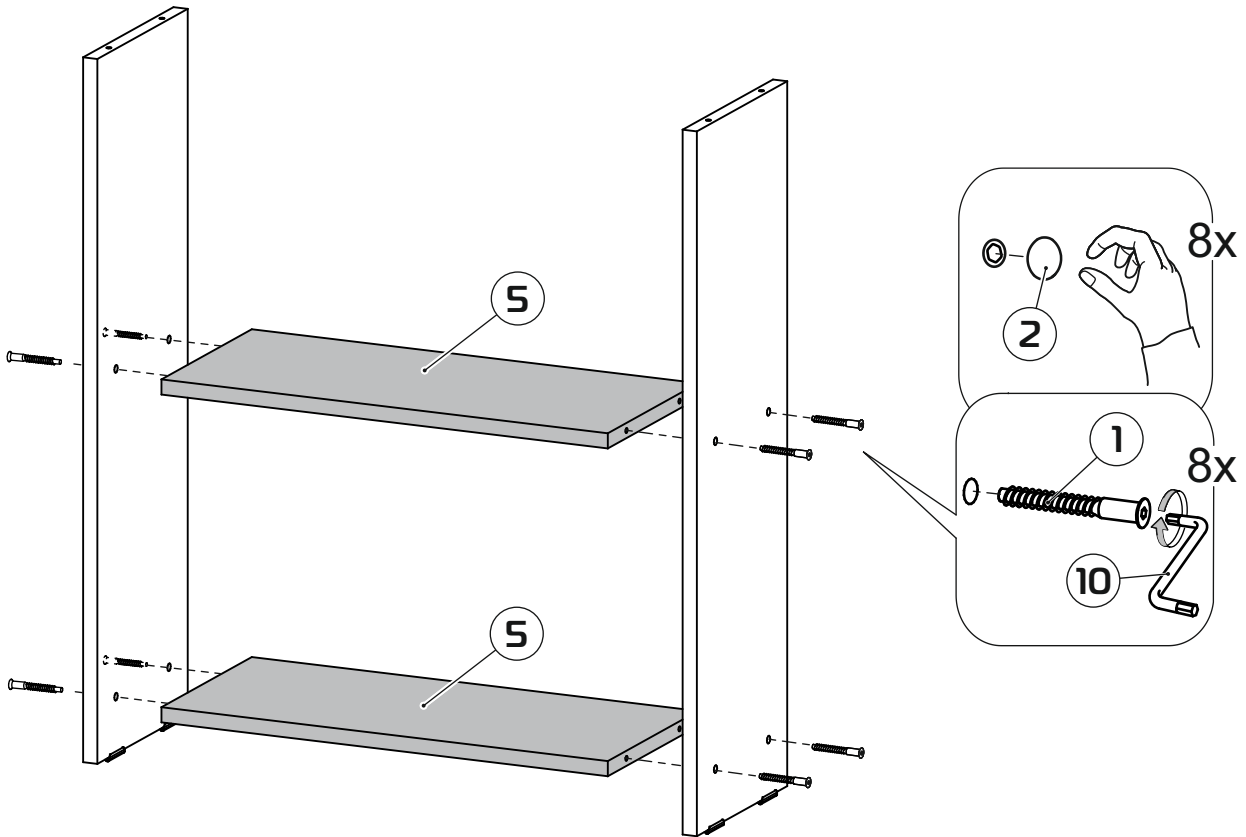


0 1 2 3 4 5 6 7 8 9 10 11 12 13 14 15 16 17 18 19 20 21 22 23 24 25 26 27

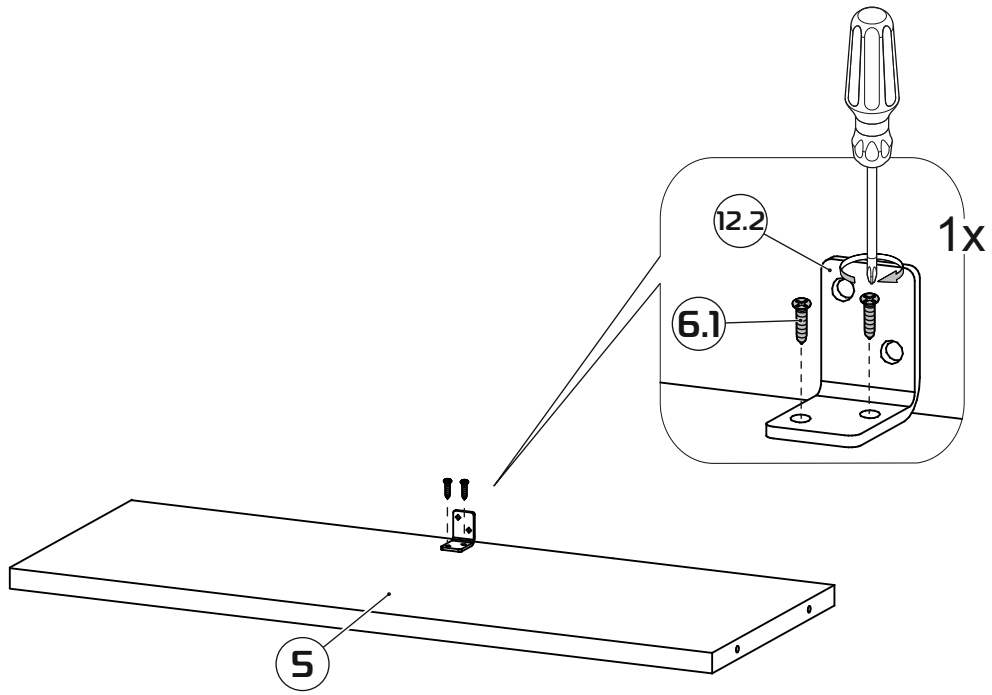
1



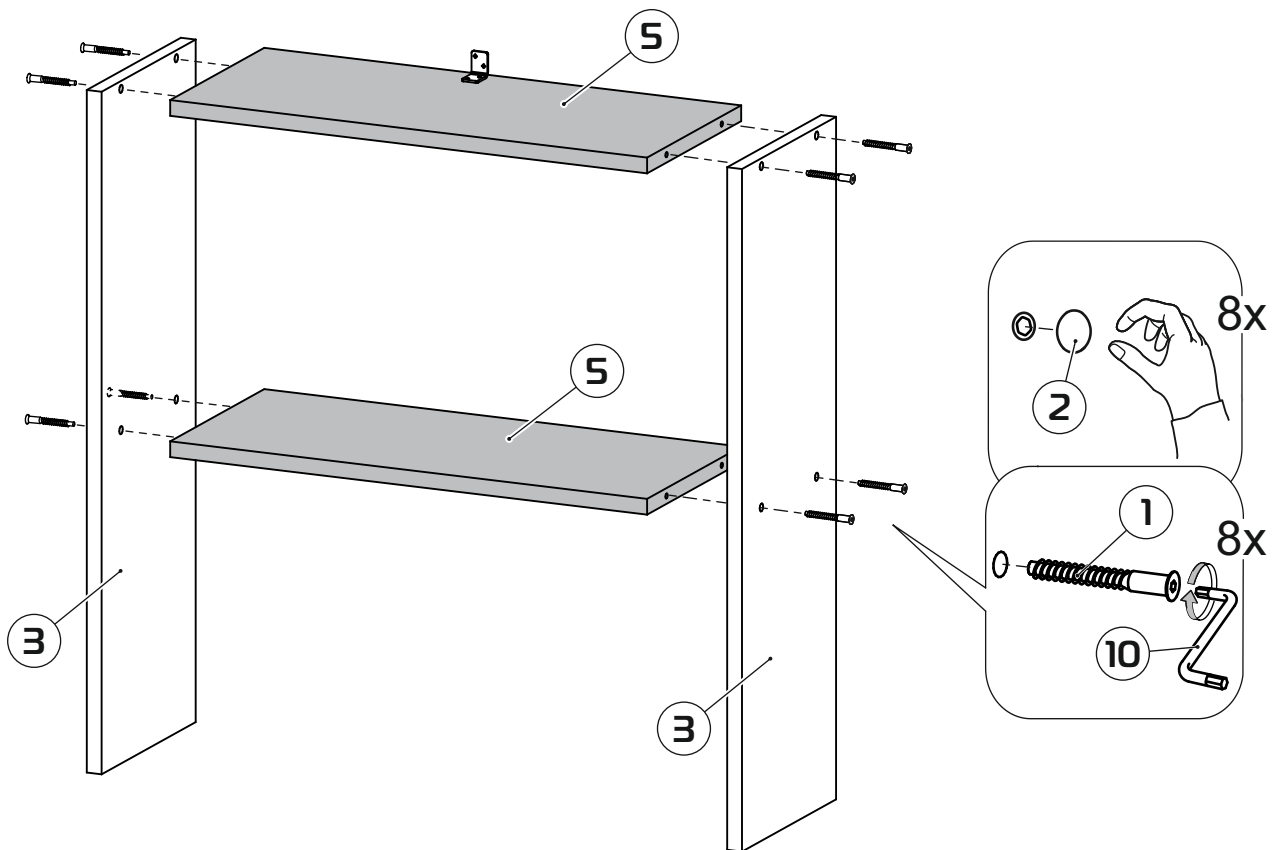
2

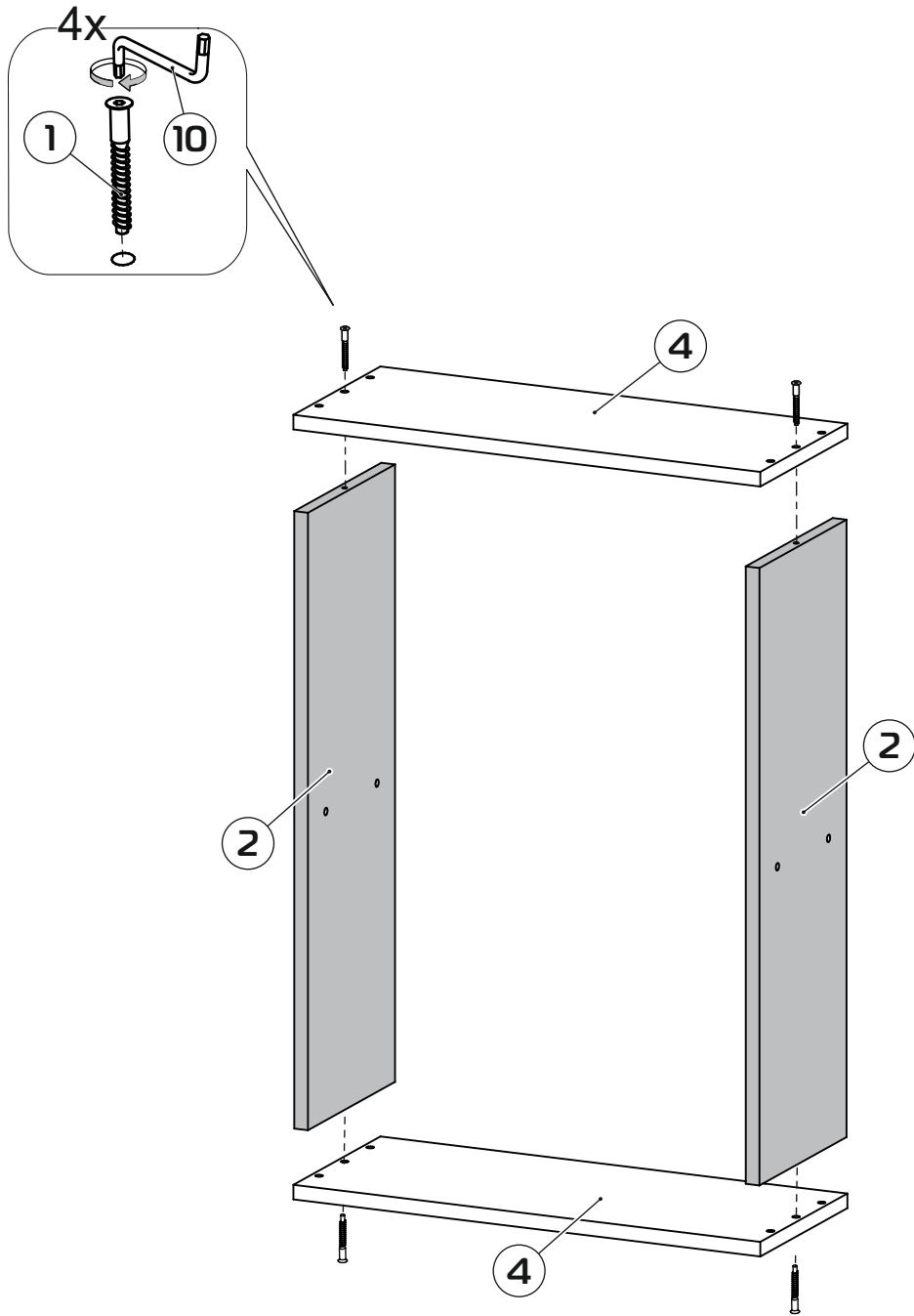


# 3

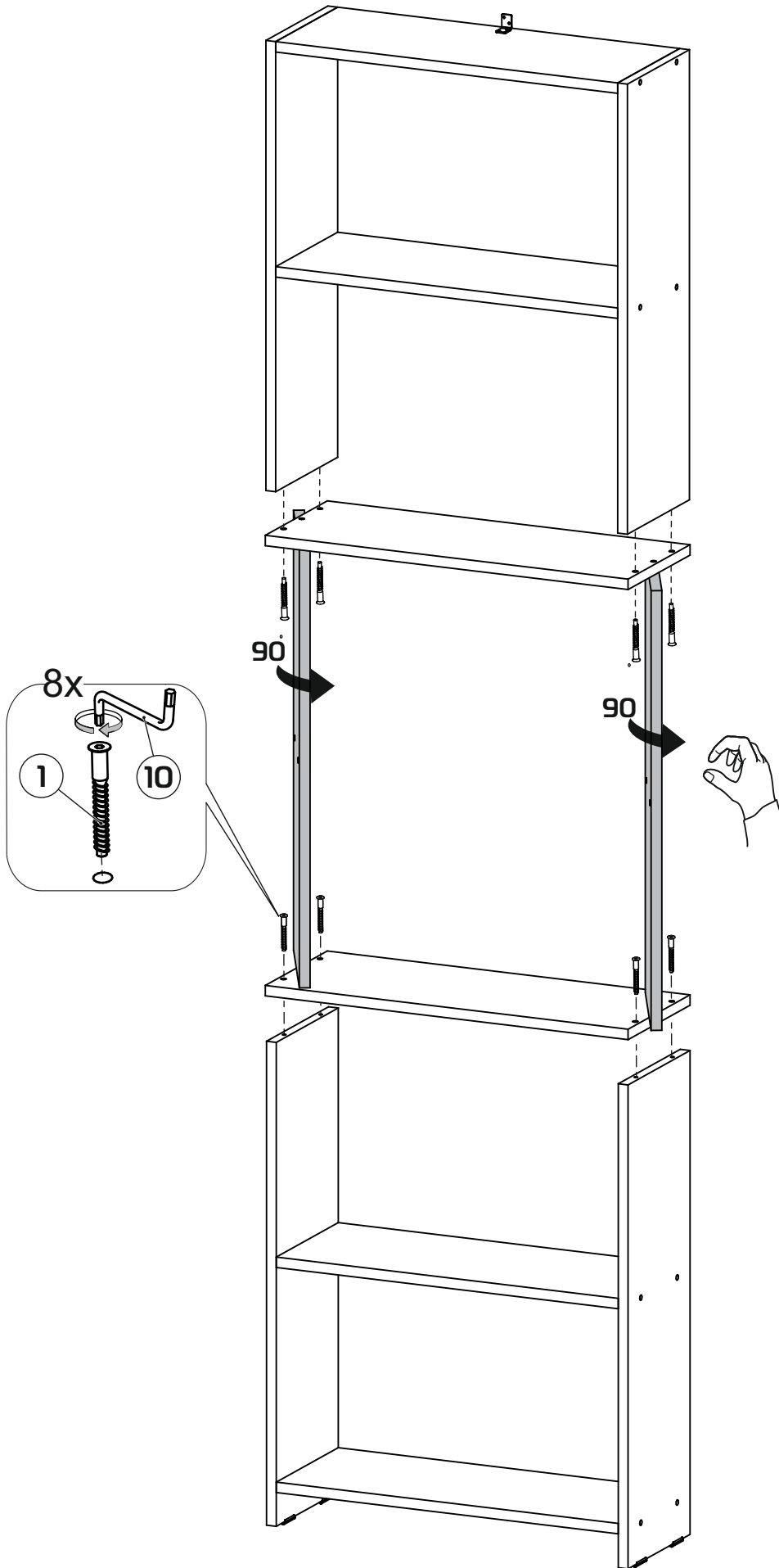


# 4



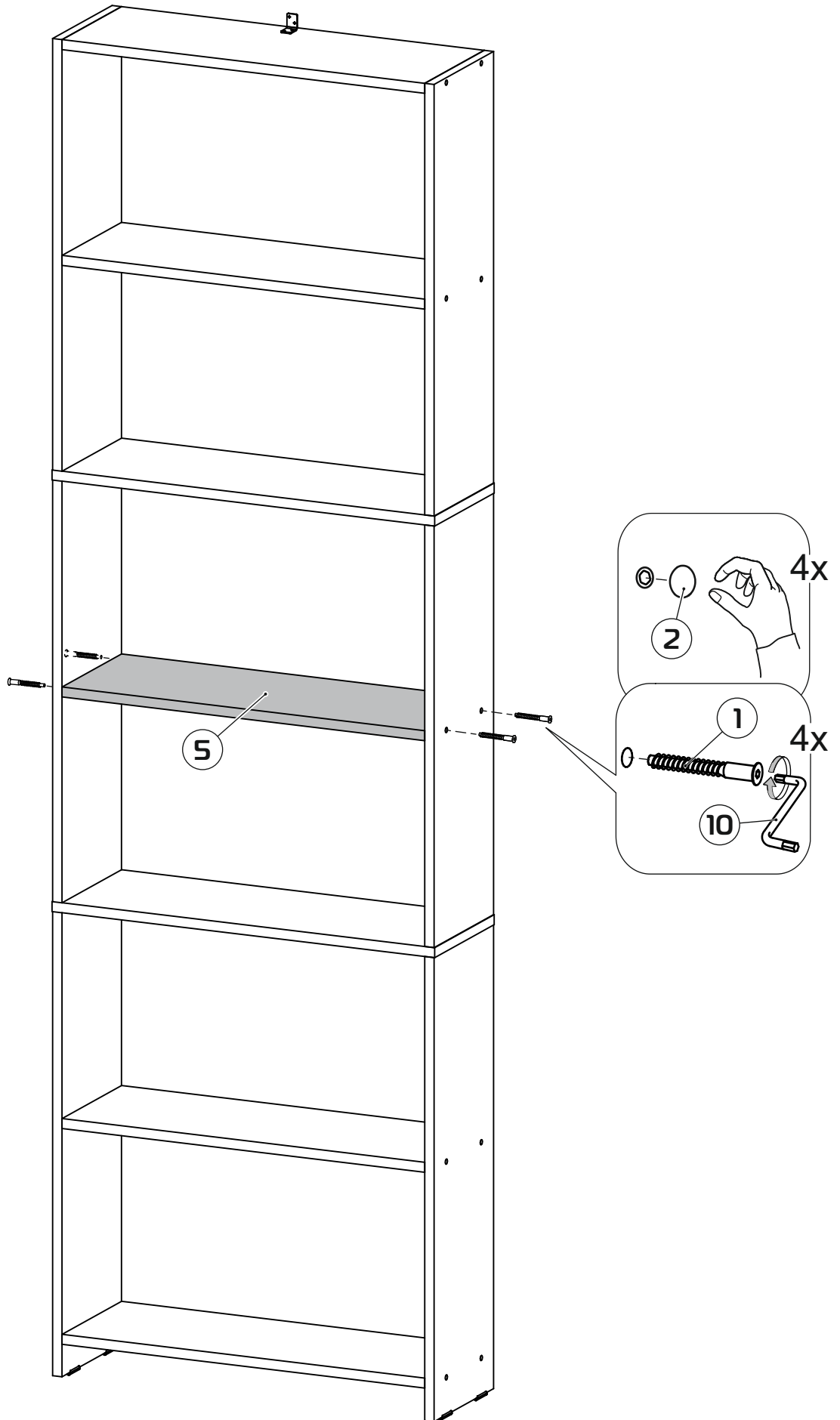


6





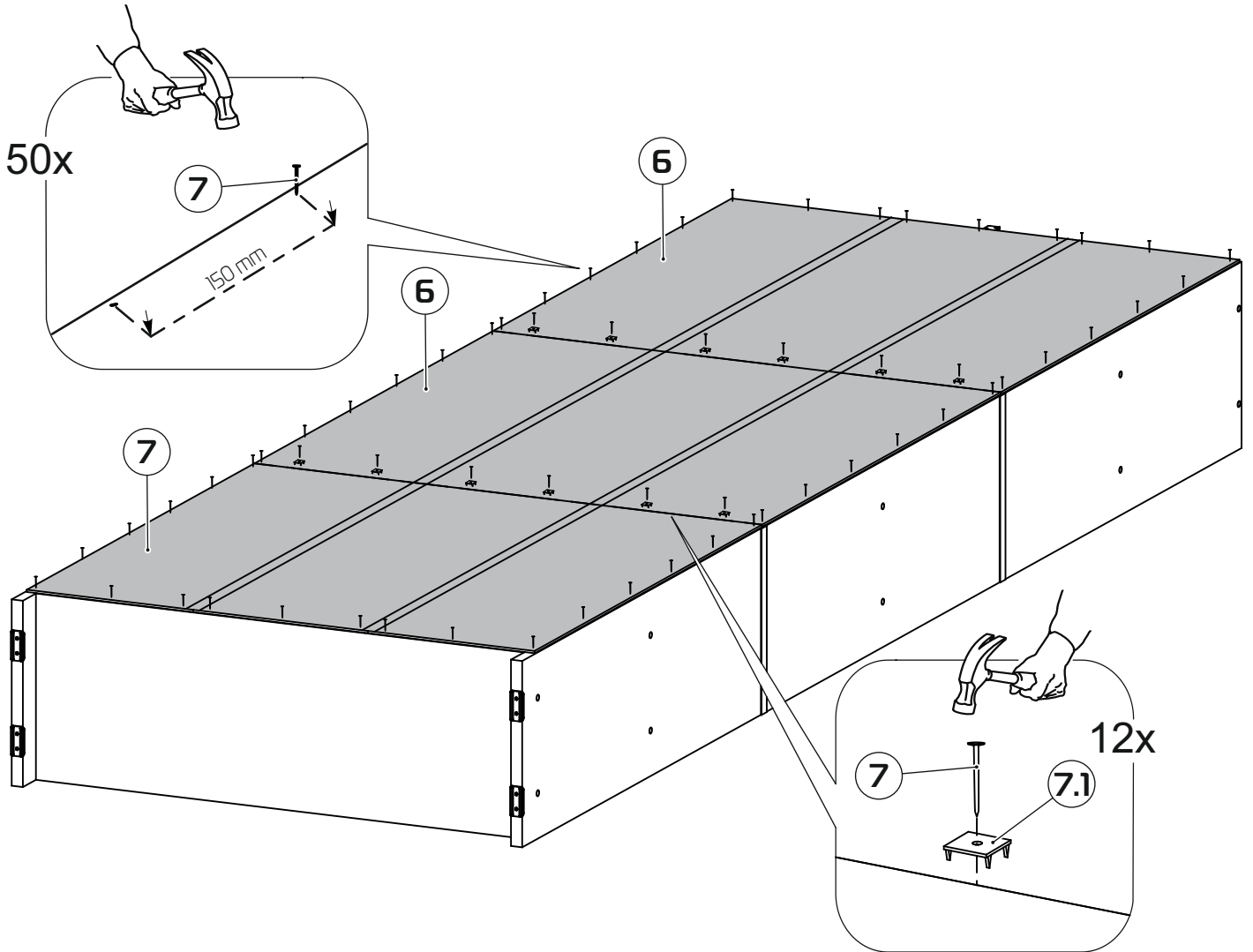
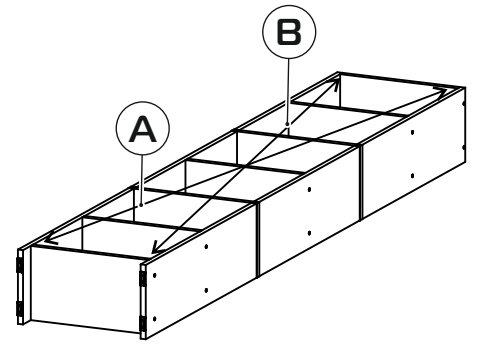
7



8



(A=B)



9

