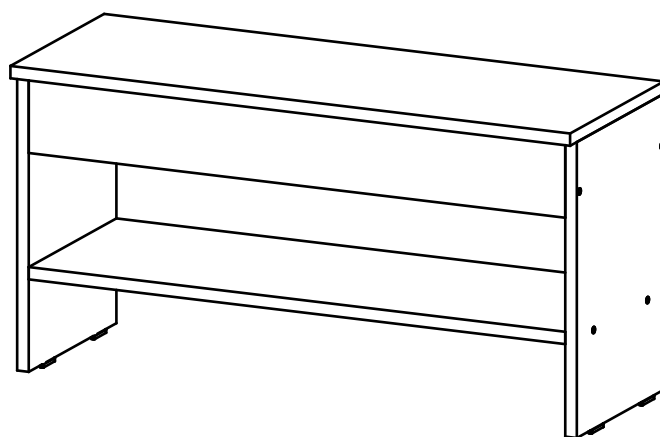
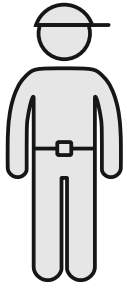


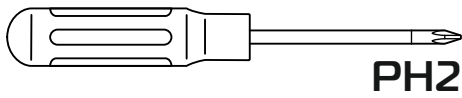
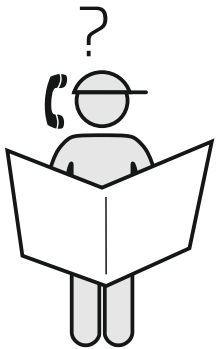
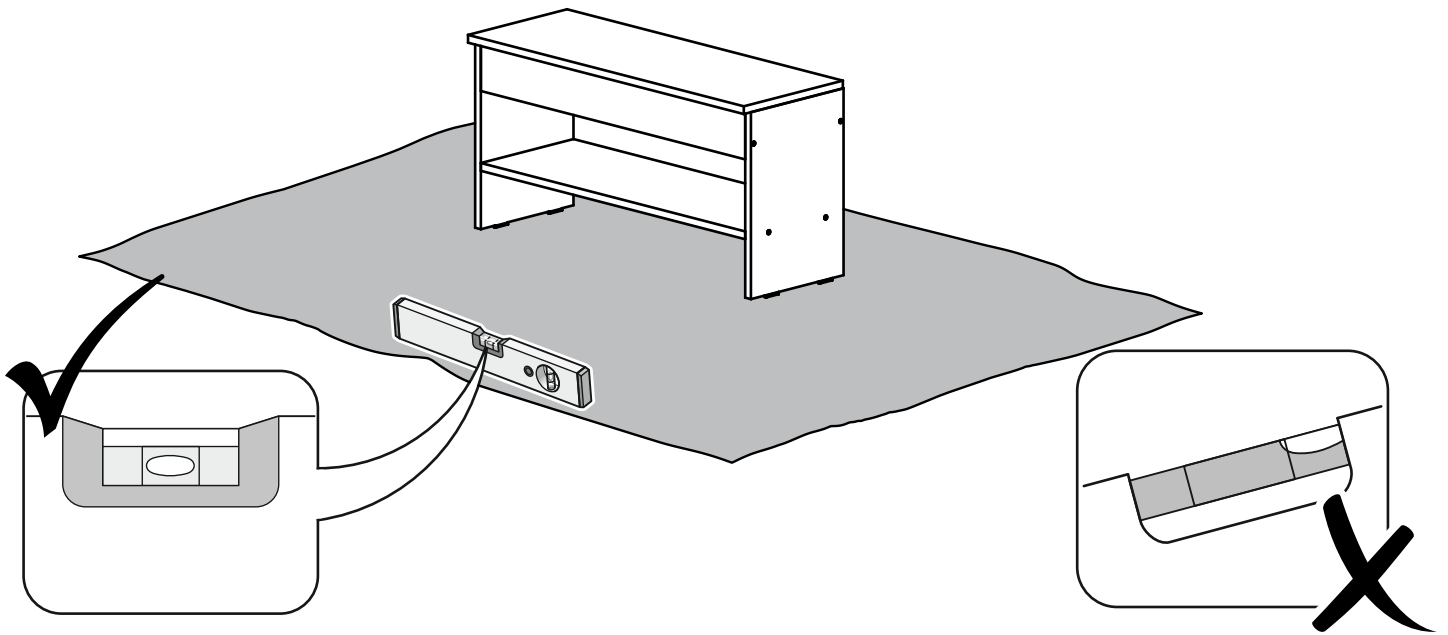
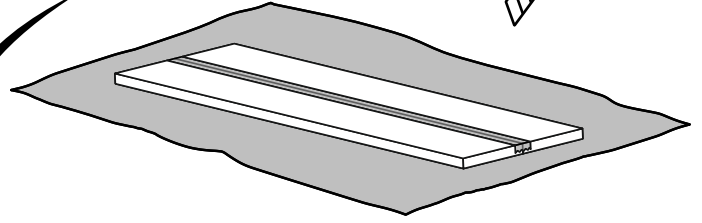
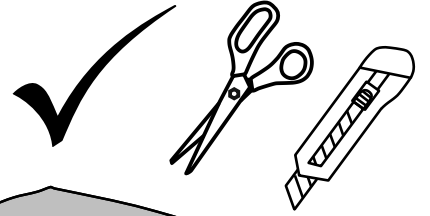
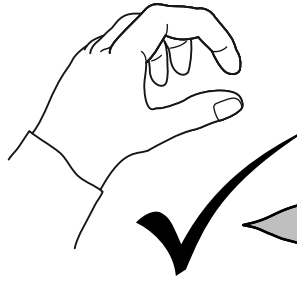
YHO-55

UNO-55

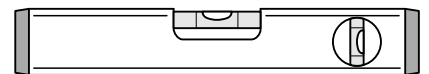
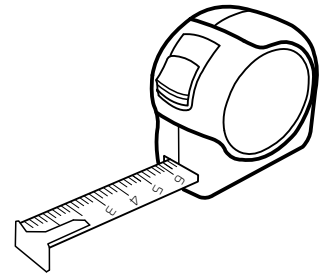
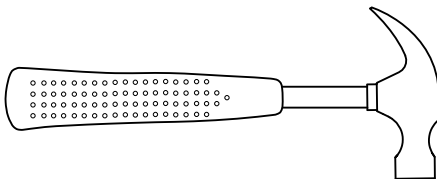


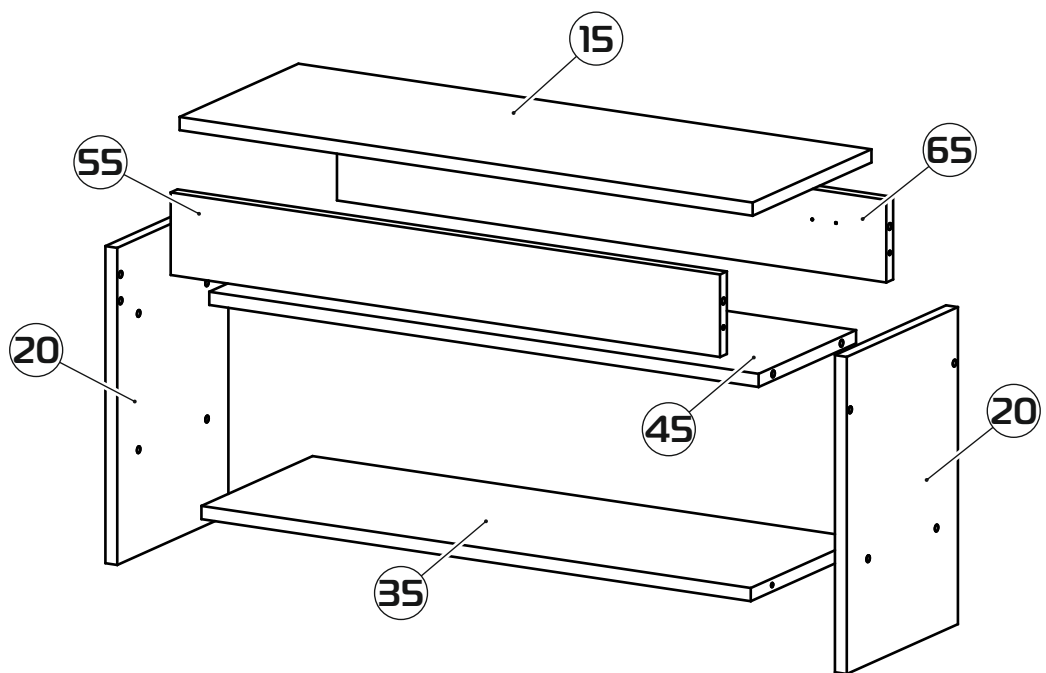


30-45 min



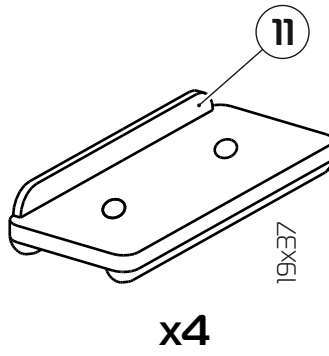
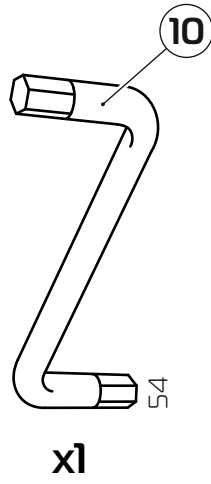
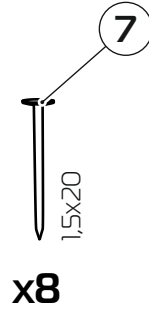
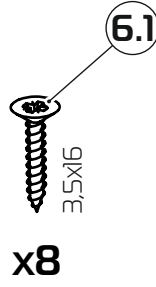
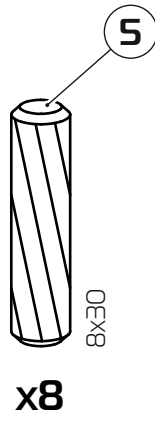
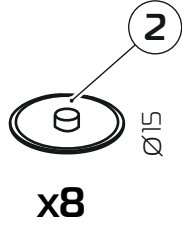
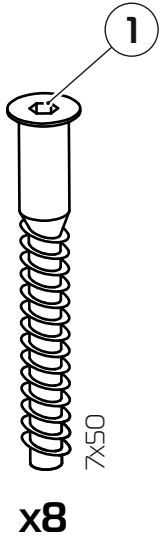
PH2



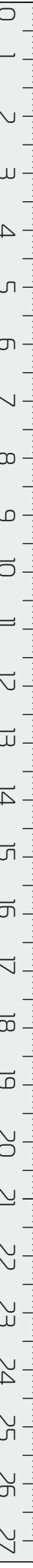
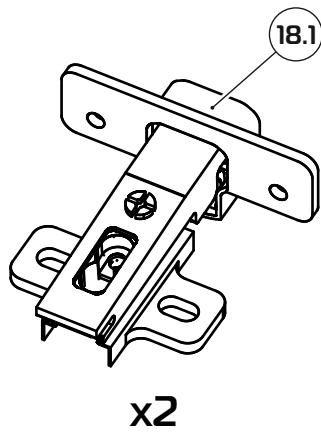


- | | |
|---------------------------|---------------------------|
| 15 774x278x16 (x1) | 45 742x228x16 (x1) |
| 20 384x260x16 (x2) | 55 742x100x16 (x1) |
| 35 742x260x16 (x1) | 65 742x100x16 (x1) |

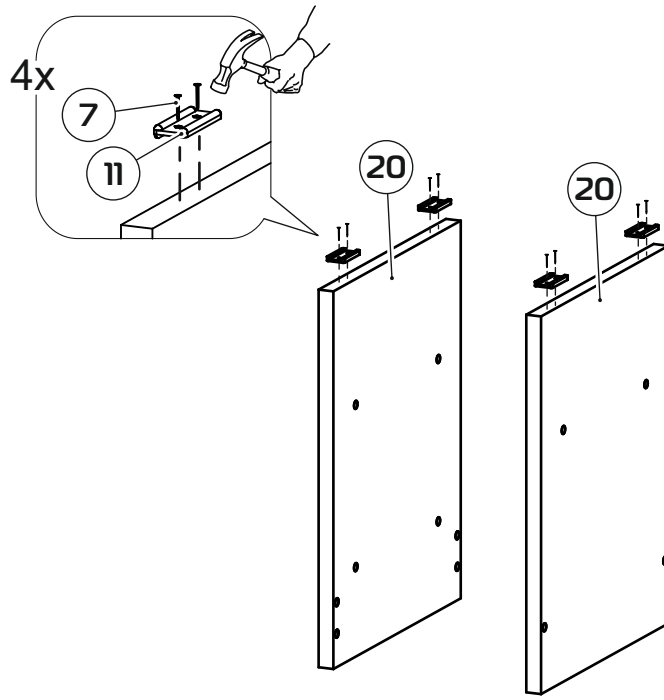
1:1



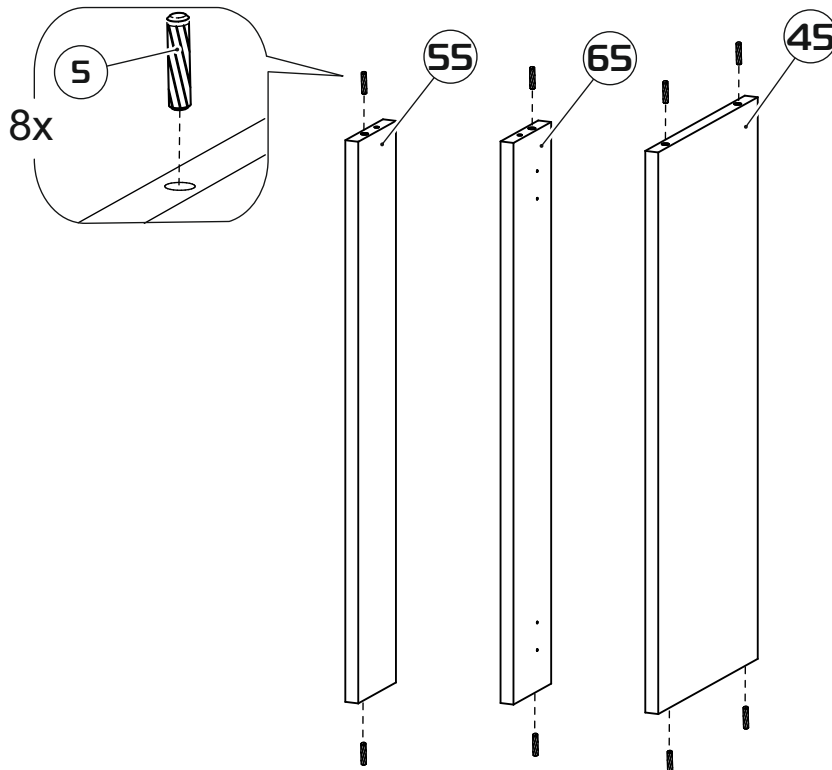
1:2



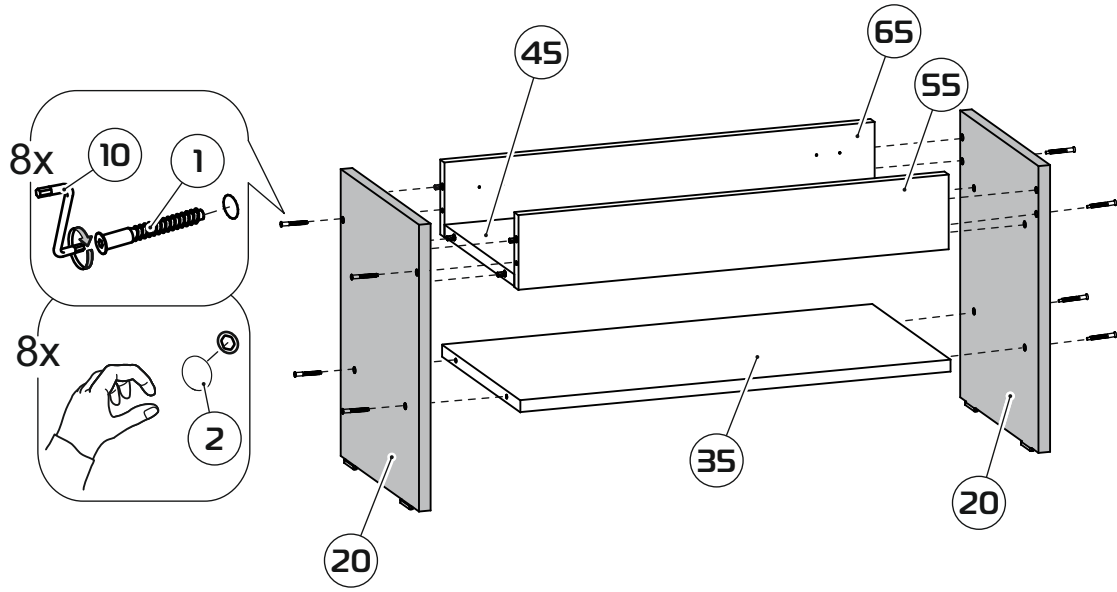
1



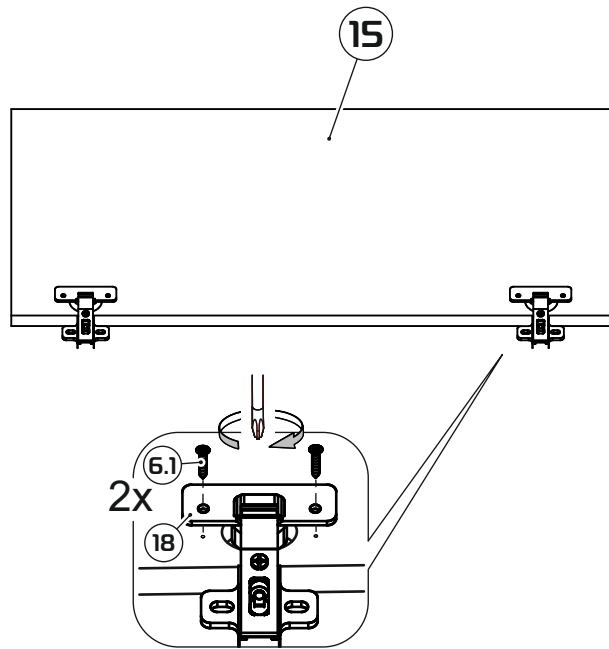
2



3



4



5

