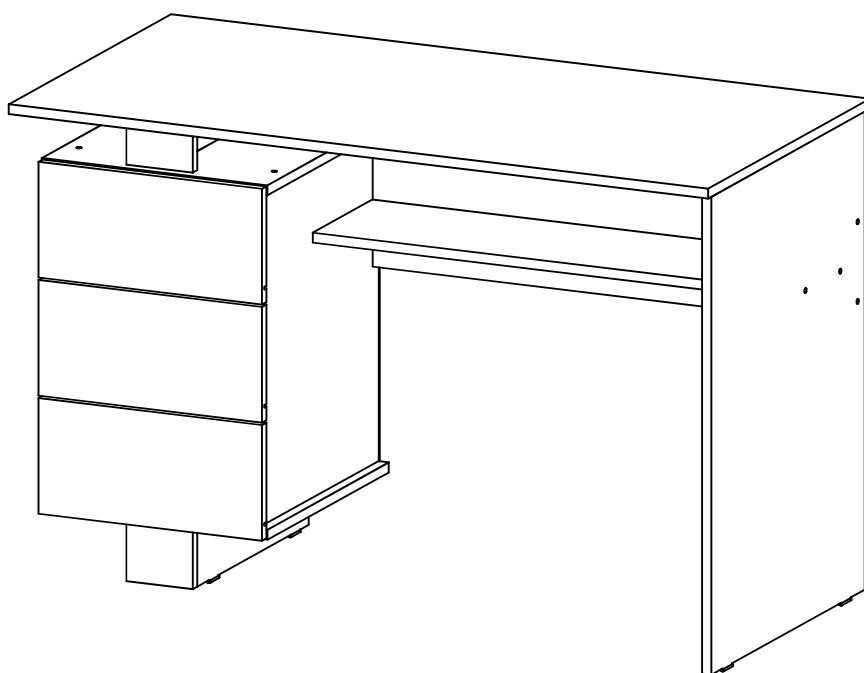
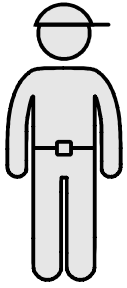


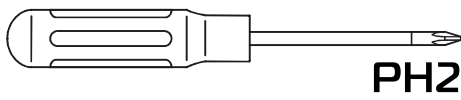
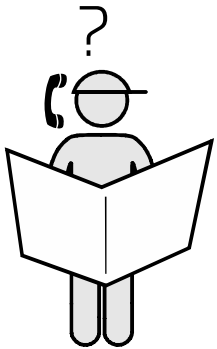
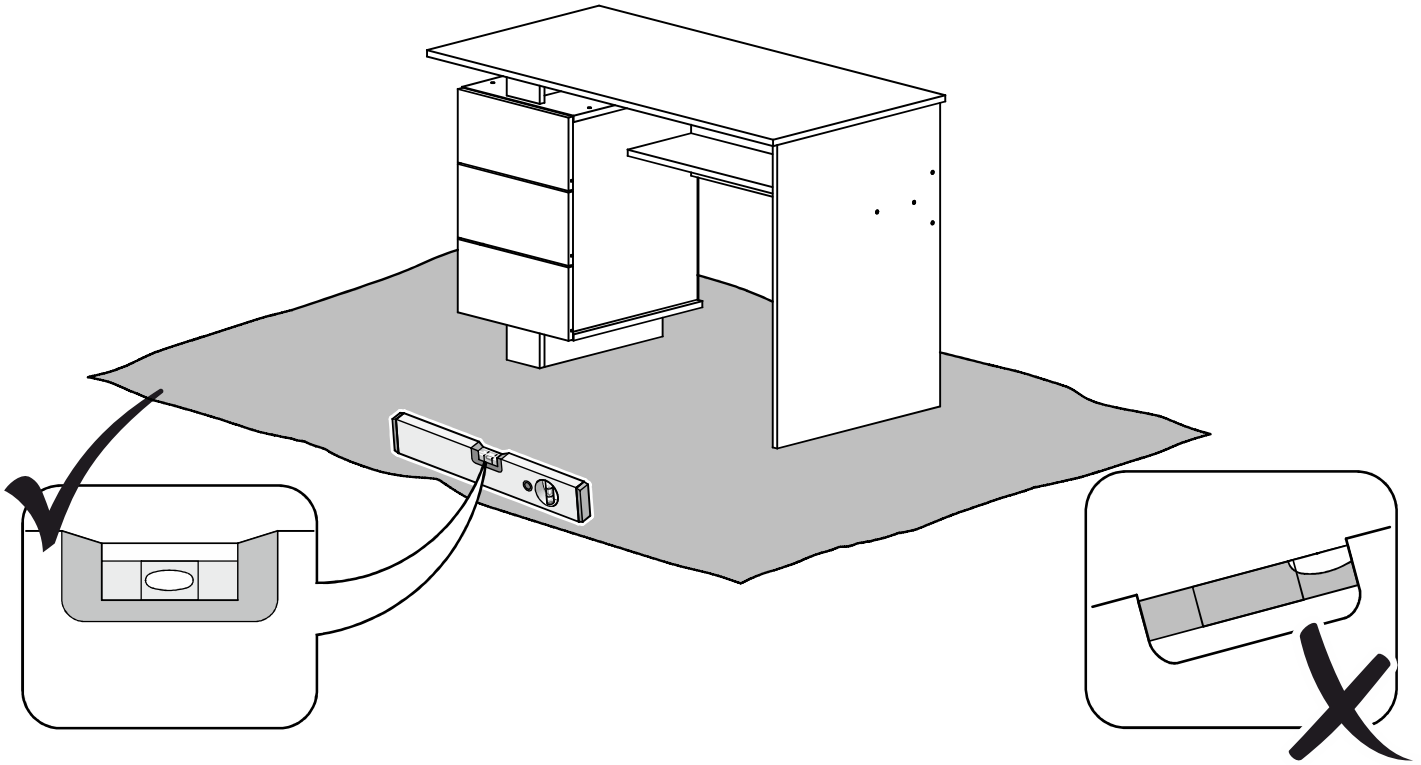
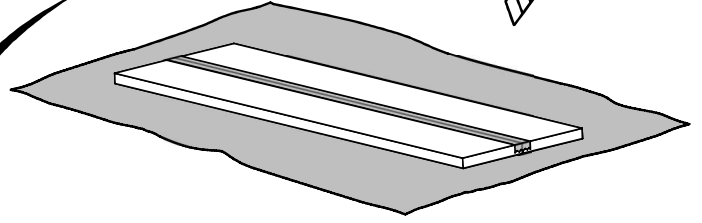
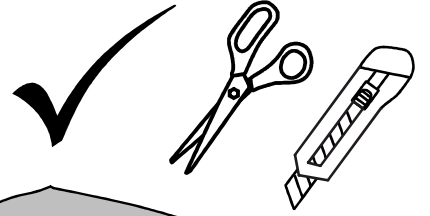
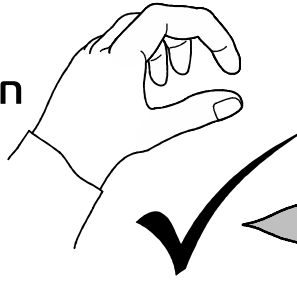
PEHLO-2

RENCO-2

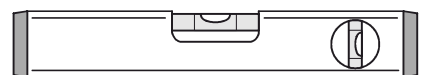
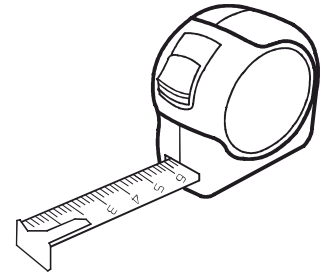
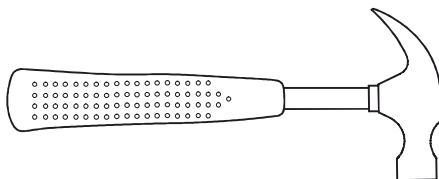


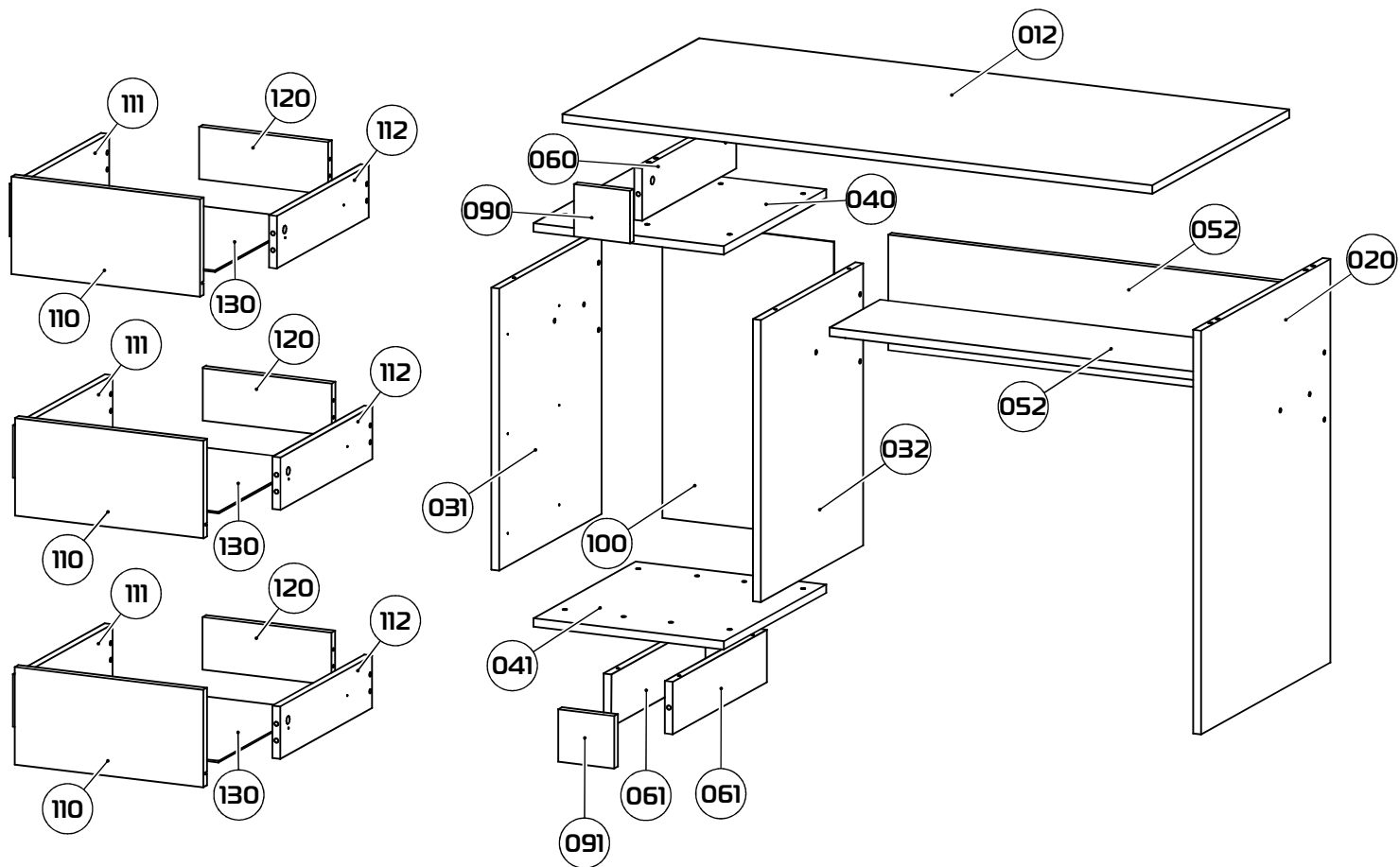


105-120 min



PH2





012 1199x596x16 (x1)

052 812x220x16 (x2)

110 383x186x16 (x3)

020 770x564x16 (x1)

060 100x410x16 (x1)

111 400x100x16 (x3)

031 538x446x16 (x1)

061 100x410x16 (x2)

112 400x100x16 (x3)

032 538x446x16 (x1)

090 100x114x16 (x1)

120 262x100x16 (x3)

040 387x446x16 (x1)

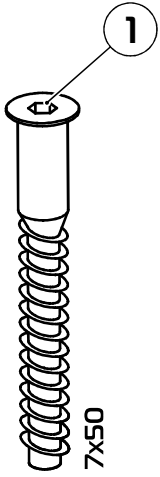
091 100x114x16 (x1)

130 405x292x3 (x3)

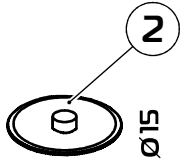
041 387x446x16 (x1)

100 566x348x3 (x1)

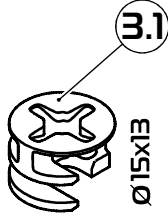
1:1



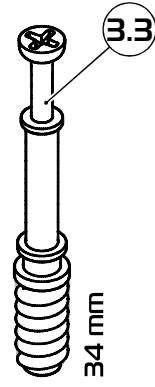
x34



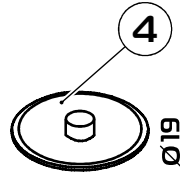
x34



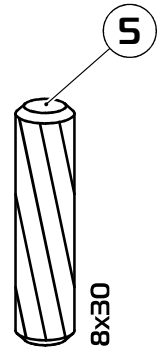
x10



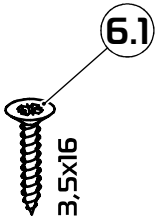
x10



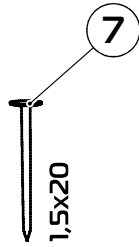
x10



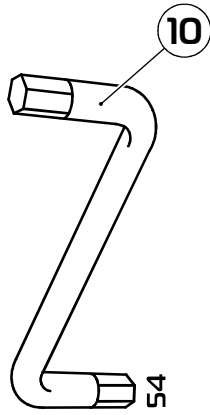
x13



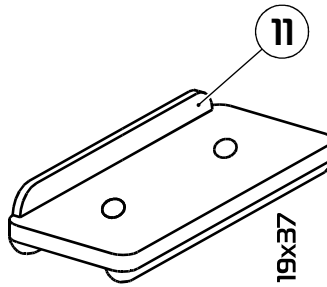
x36



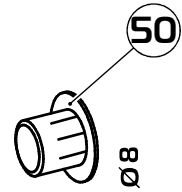
x51



x1

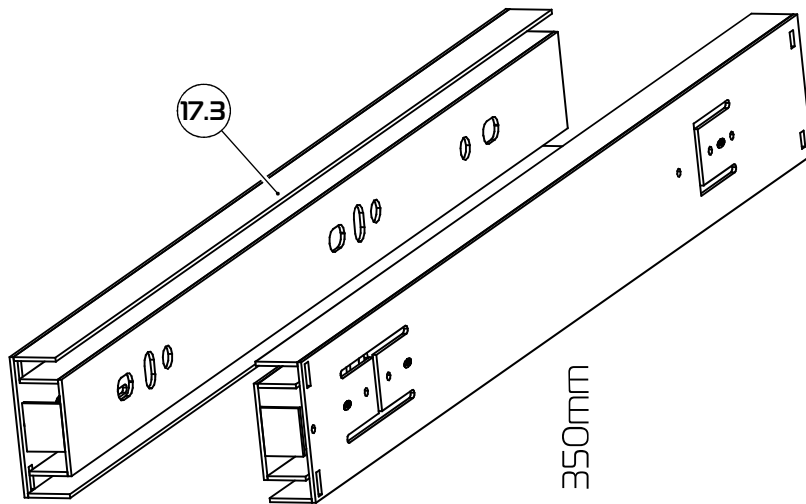


x6



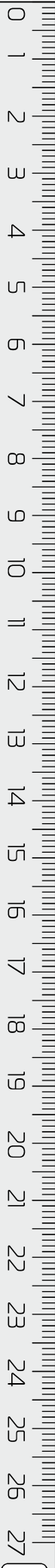
x4

1:3

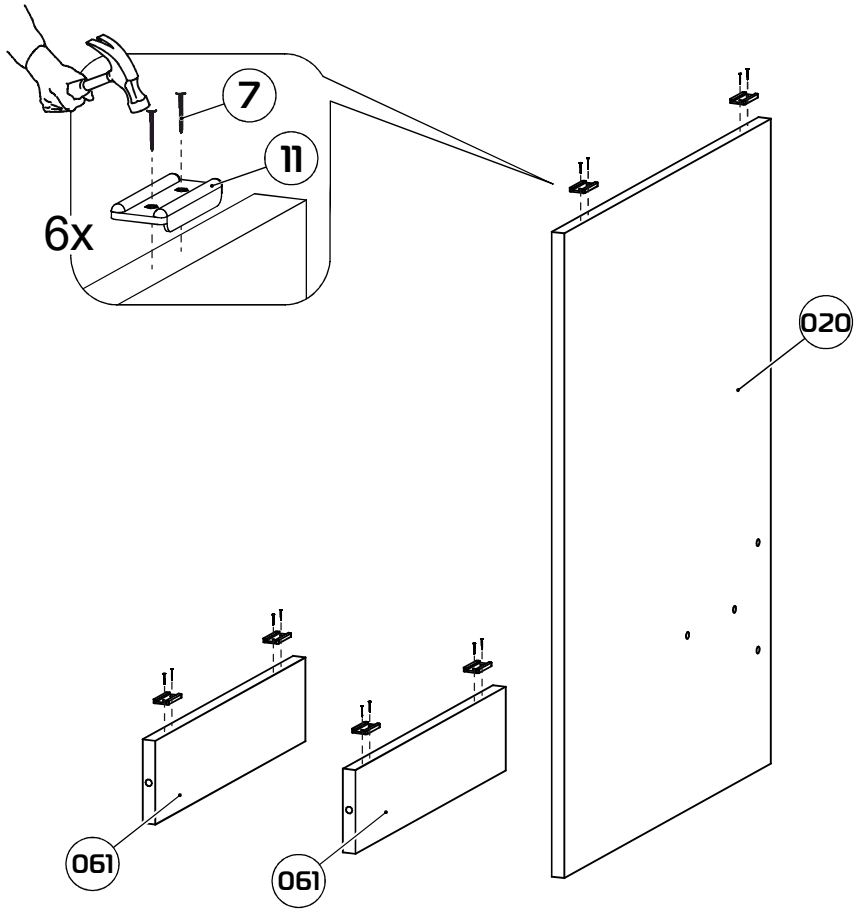


3x

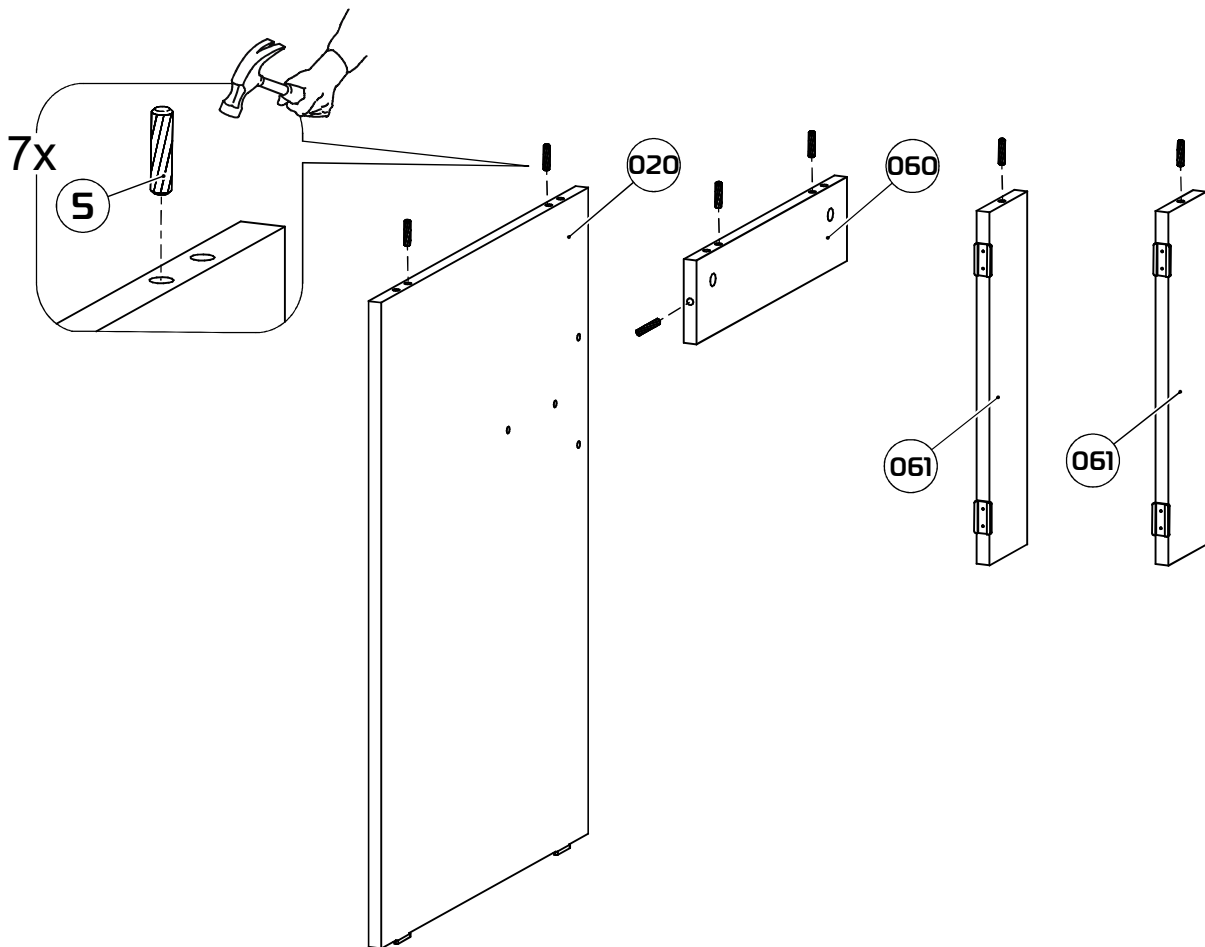
350mm



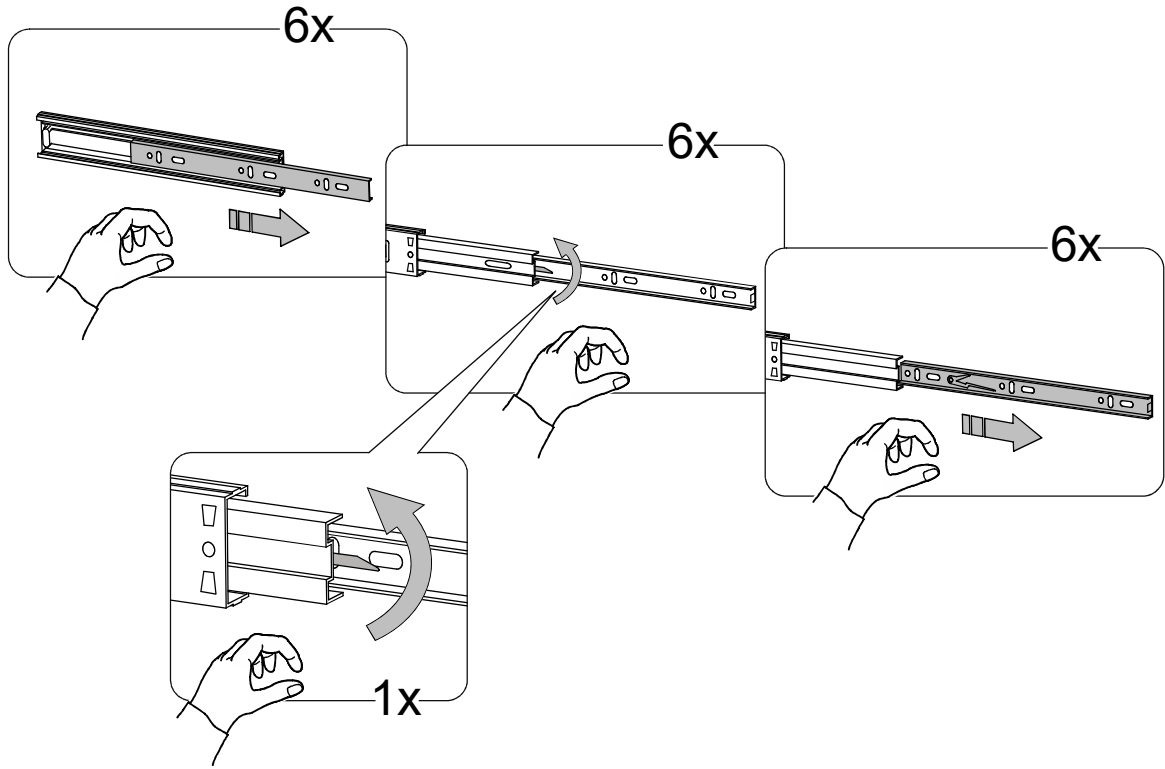
1



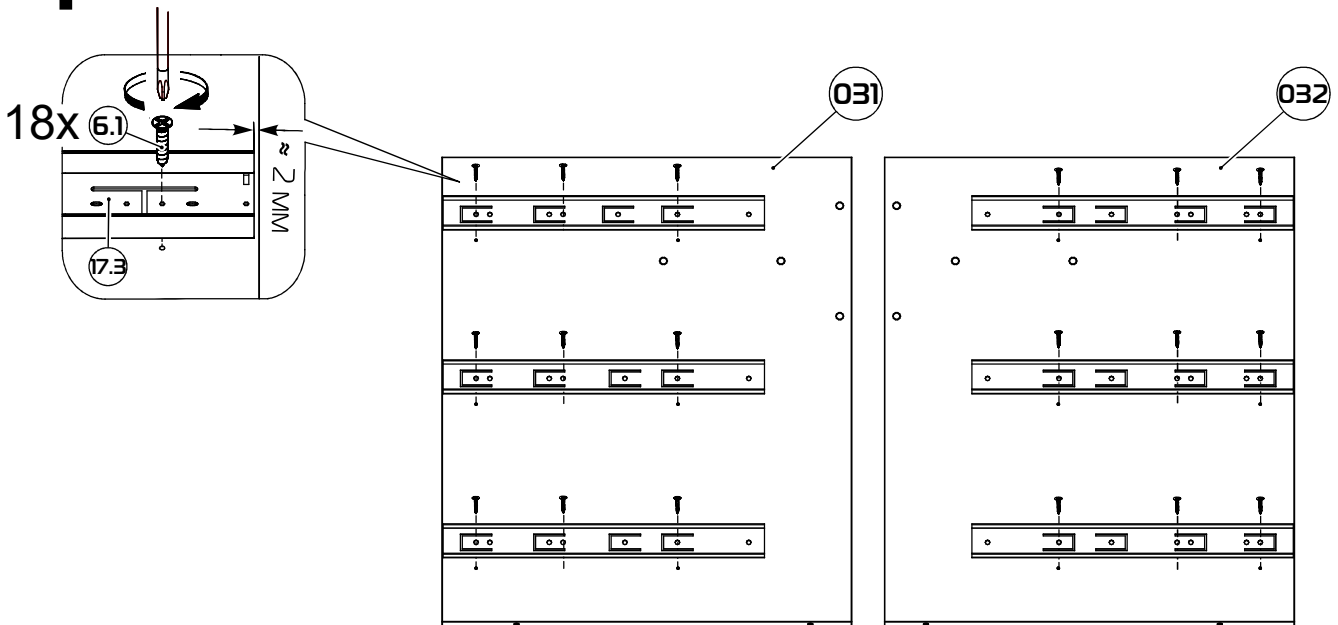
2



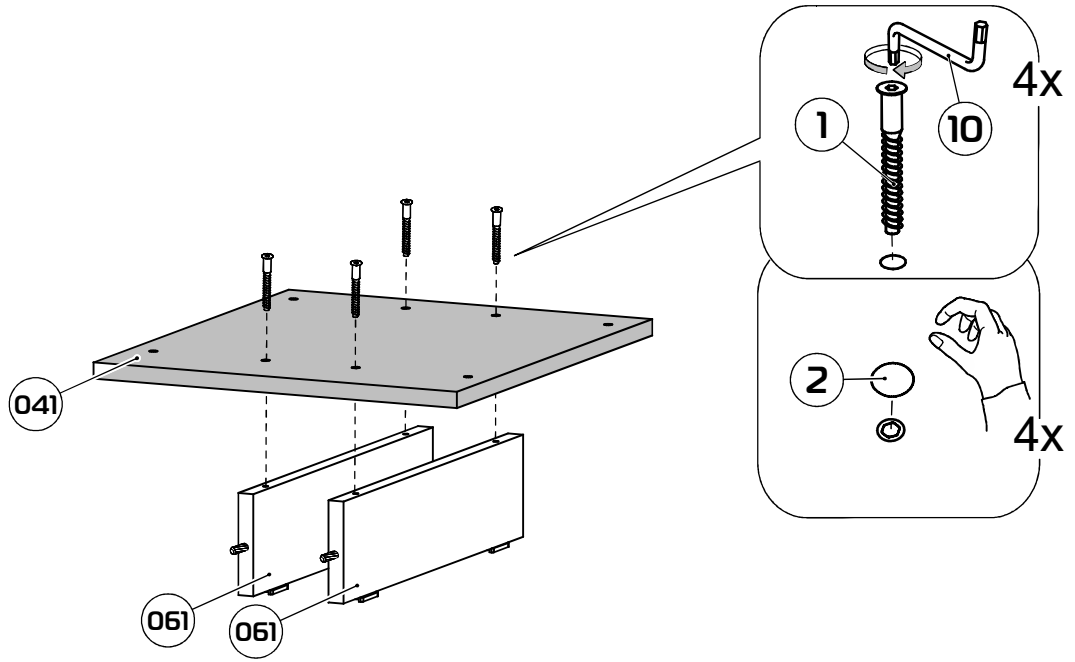
3



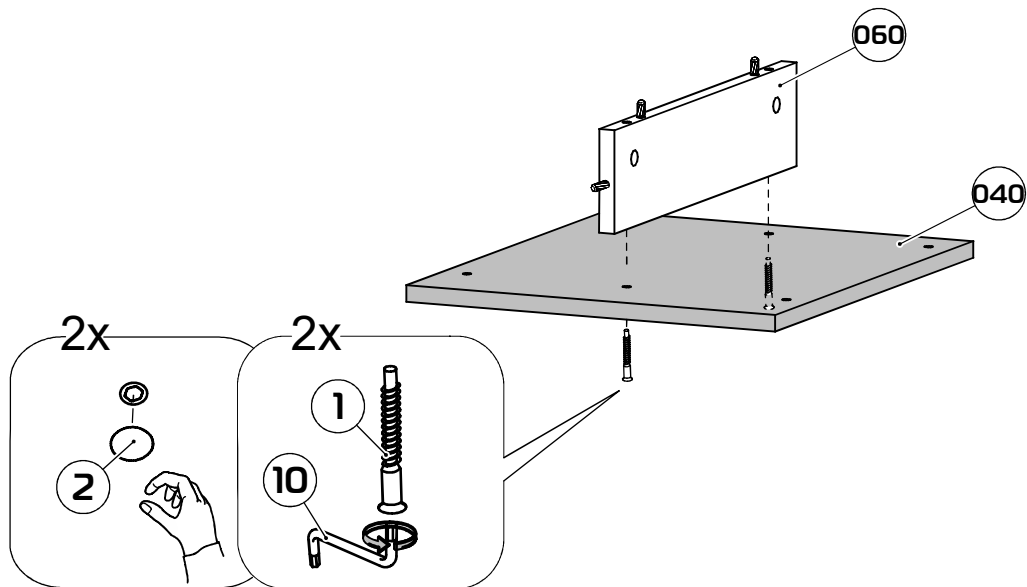
4



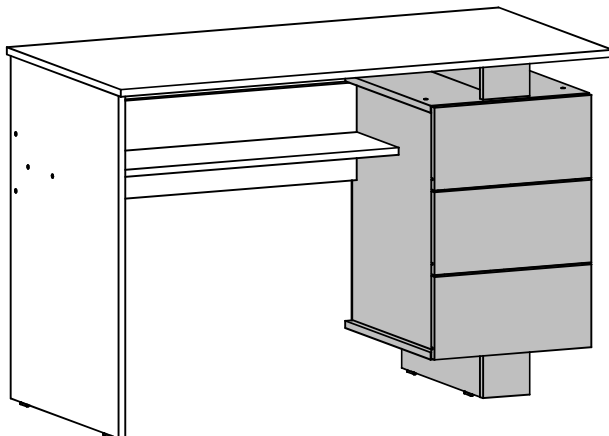
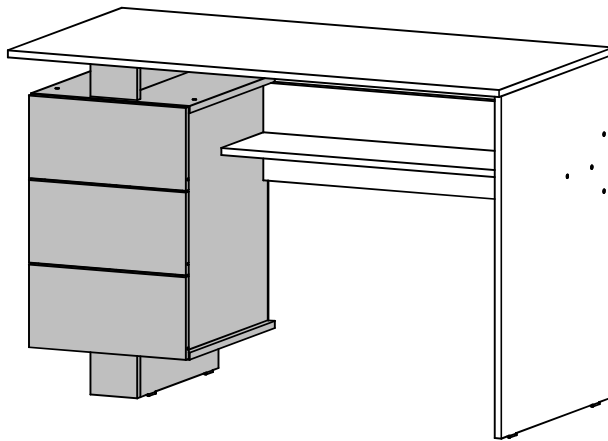
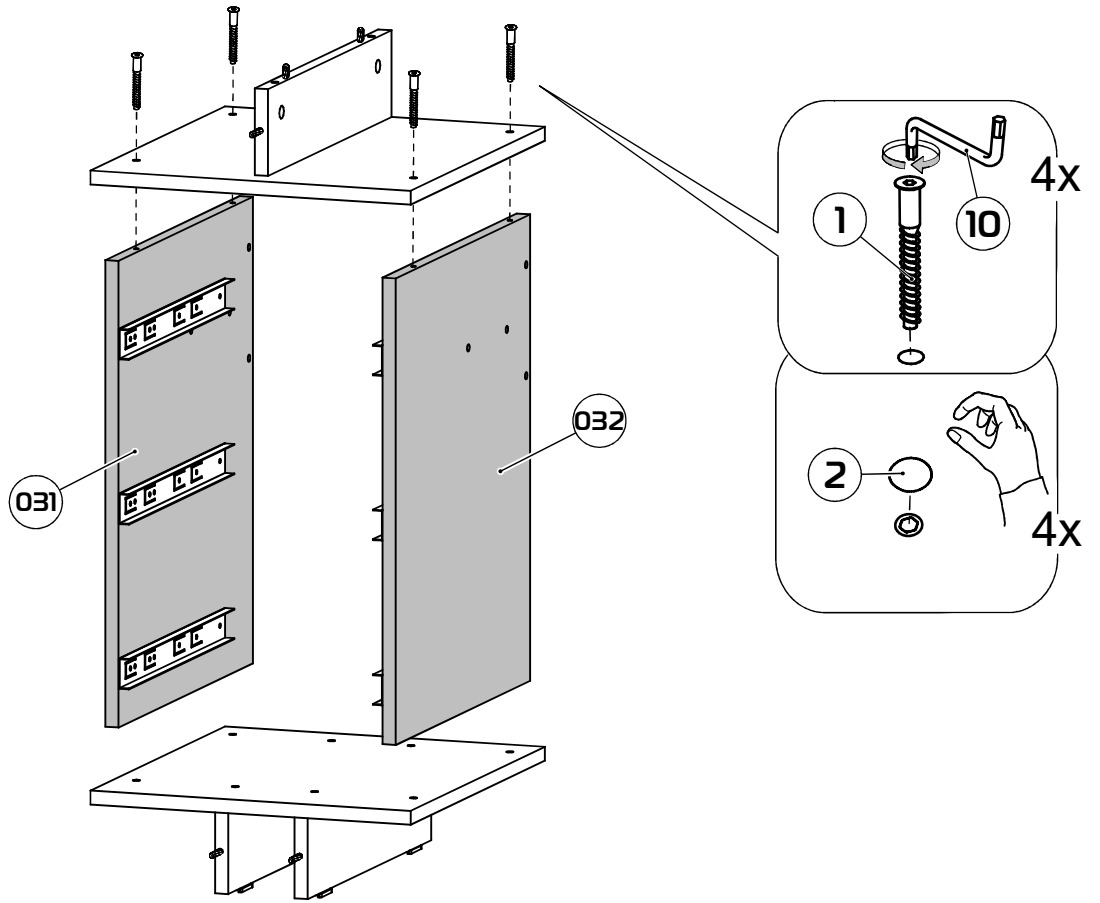
5



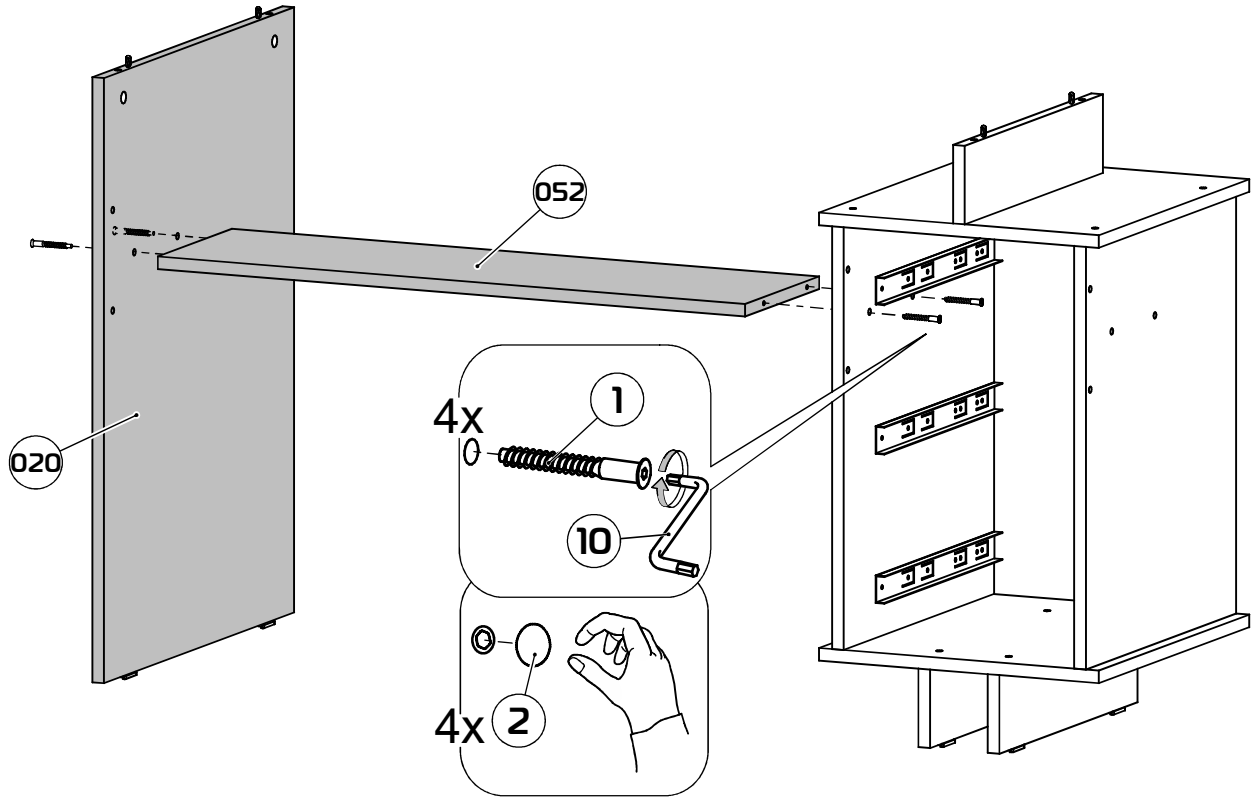
6



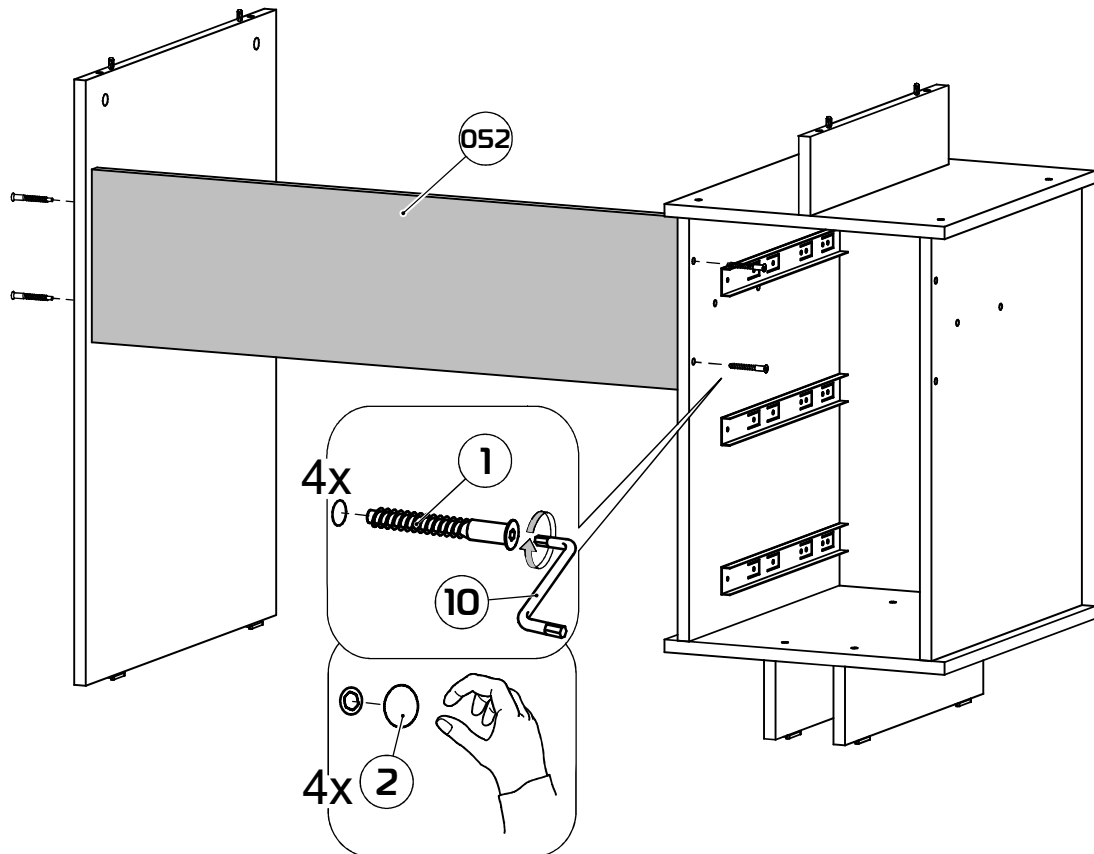
7



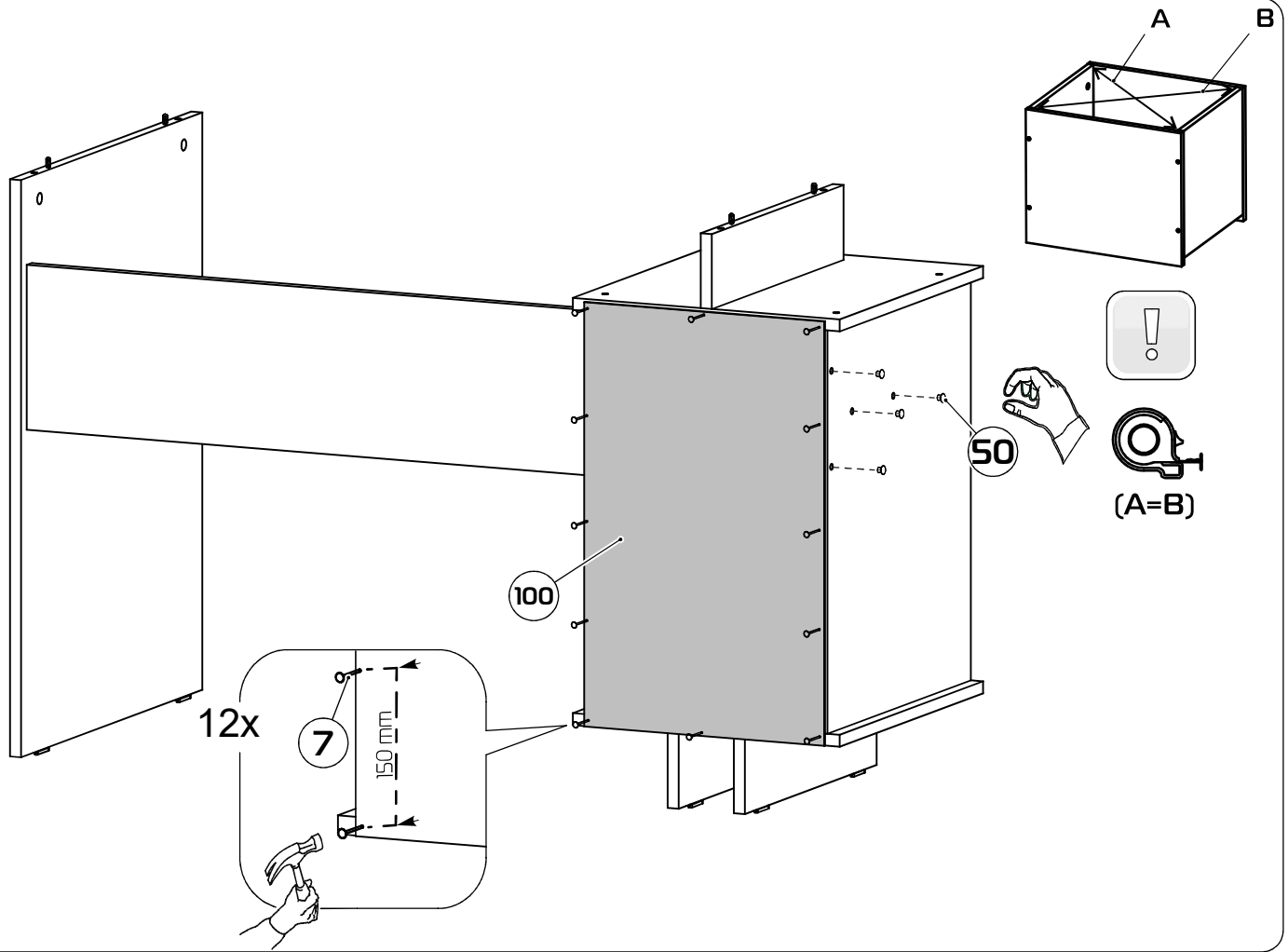
8



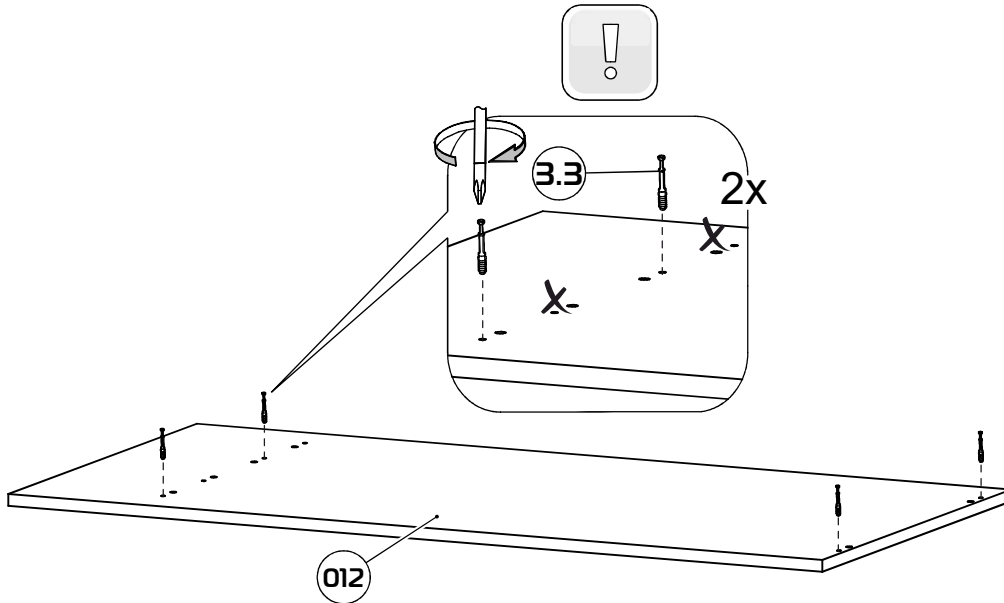
9



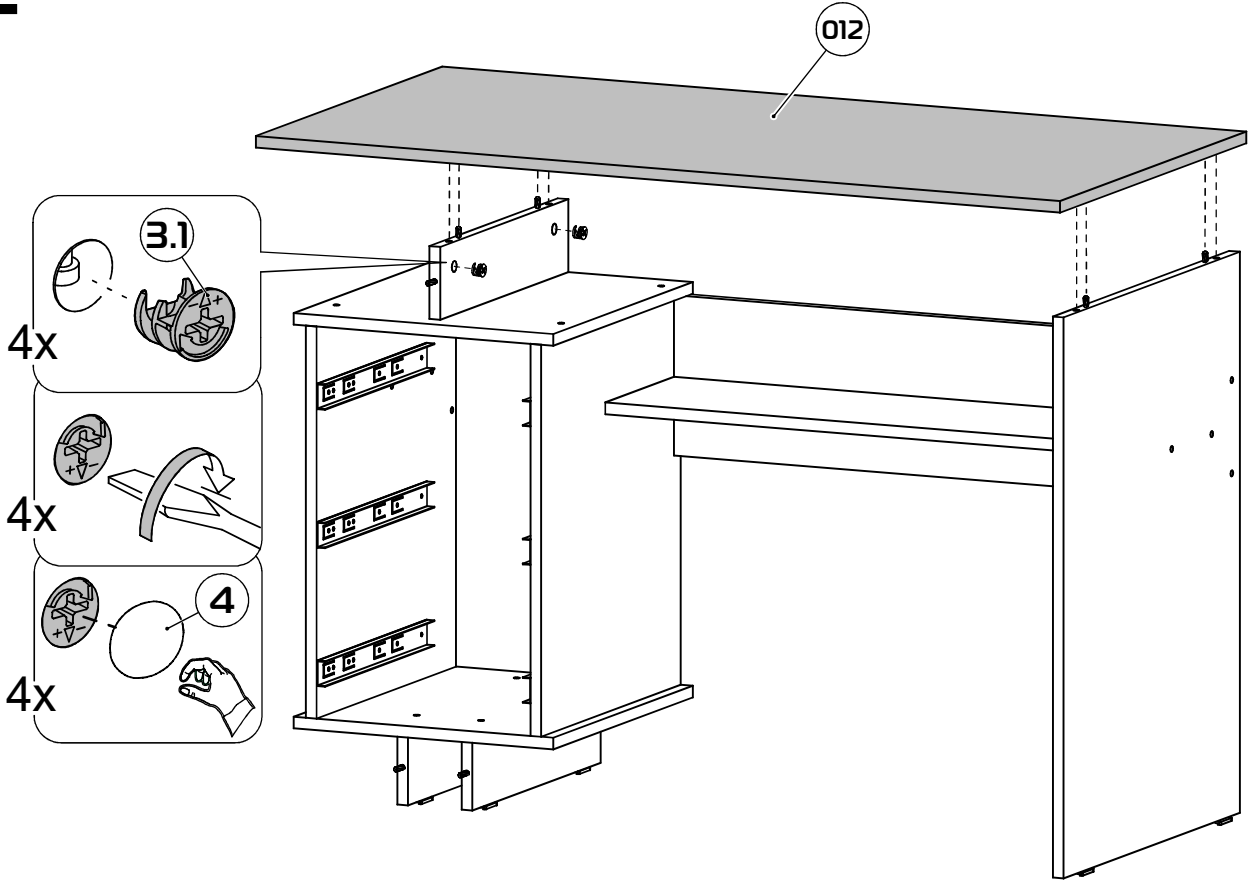
10



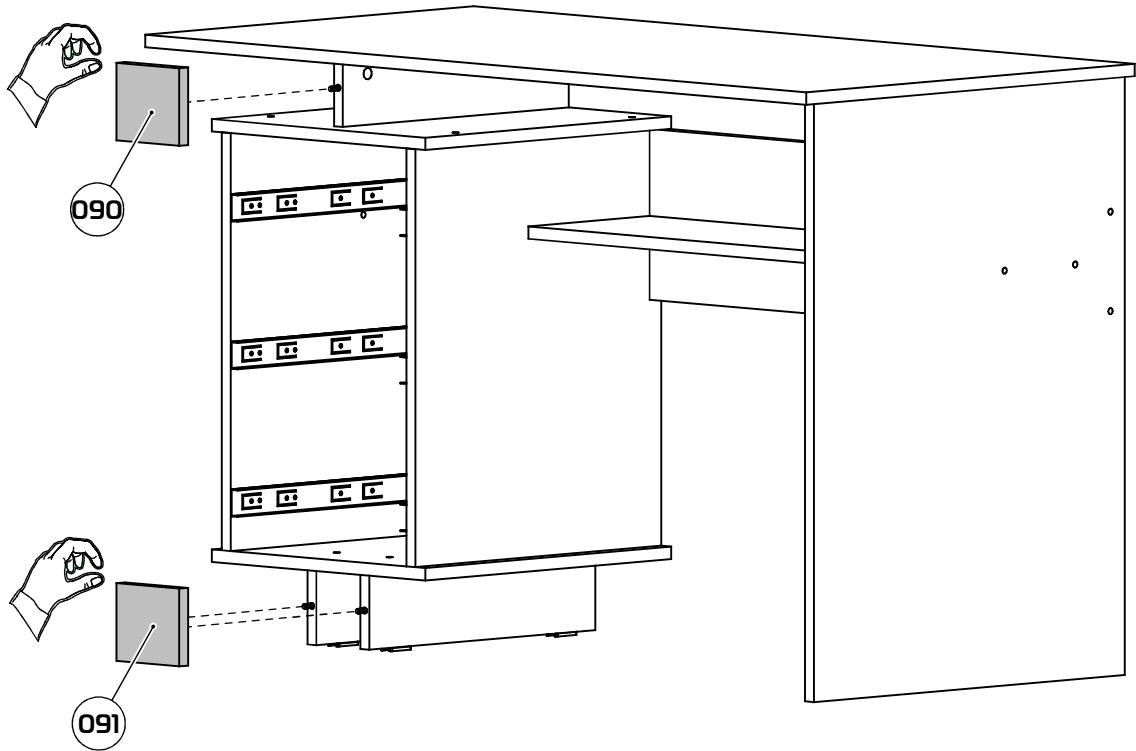
11



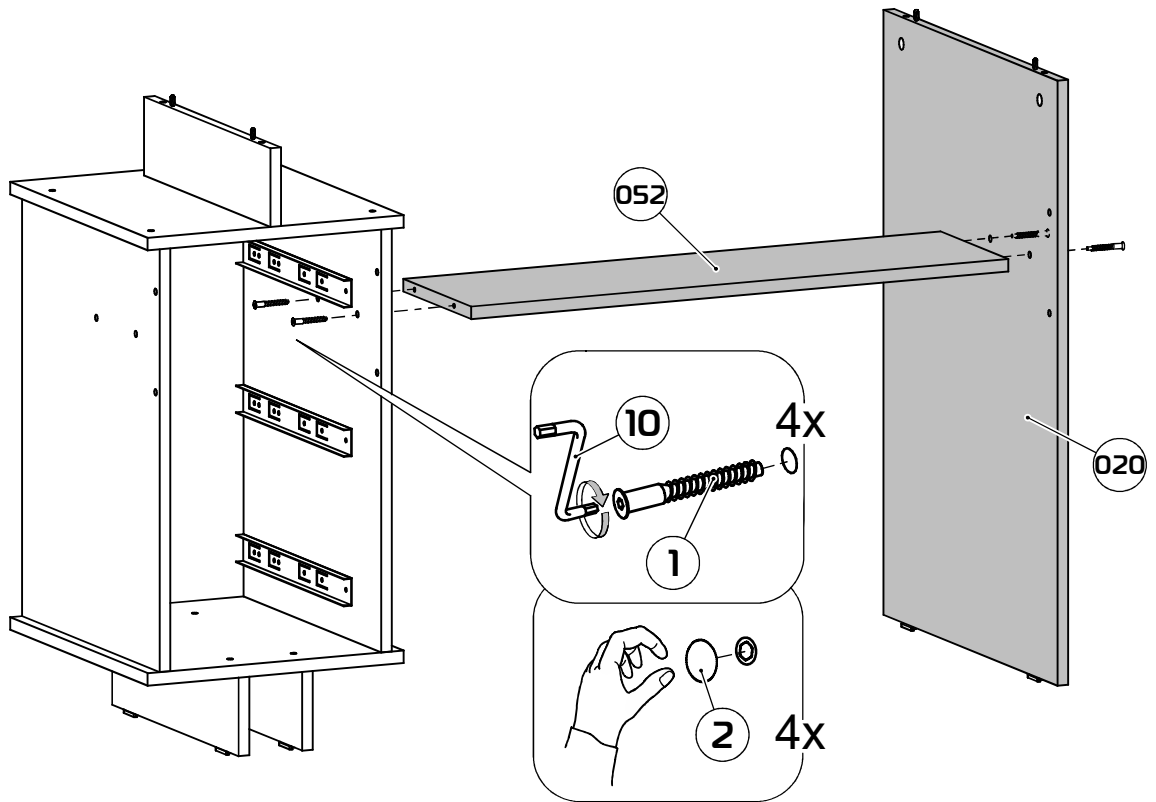
12



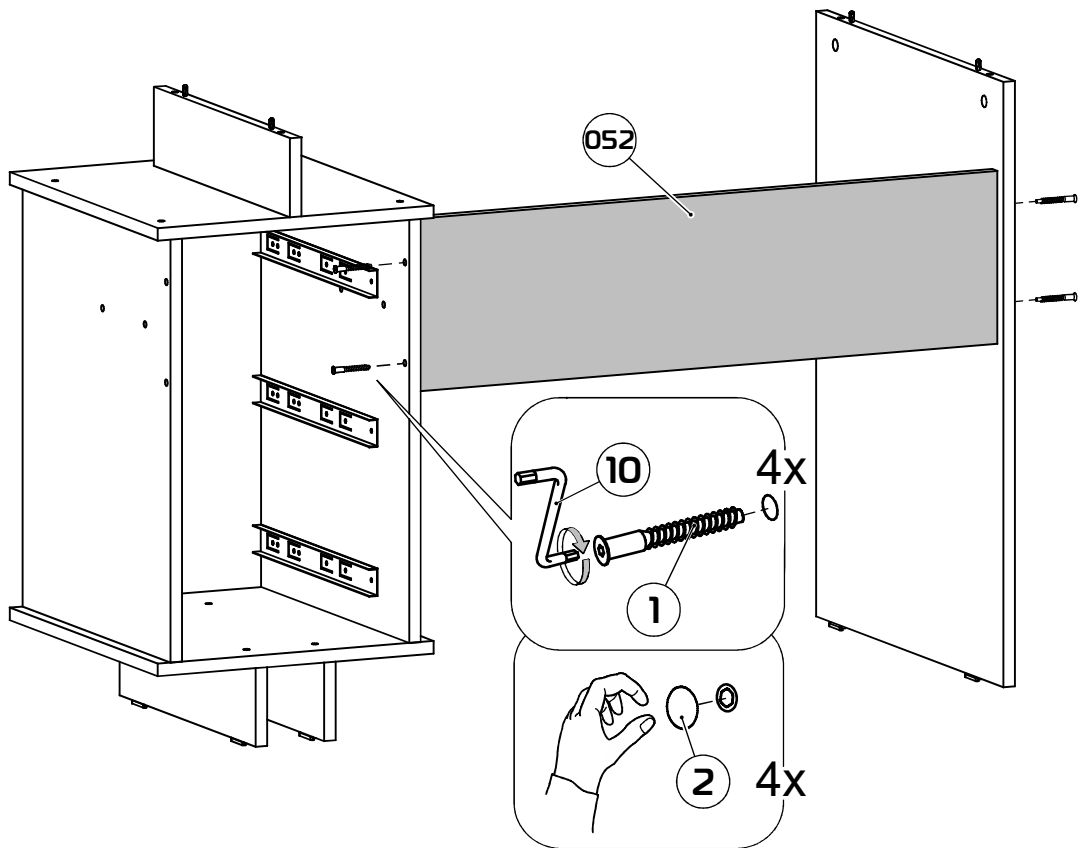
13



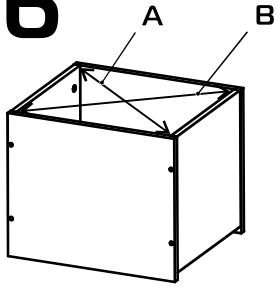
14



15



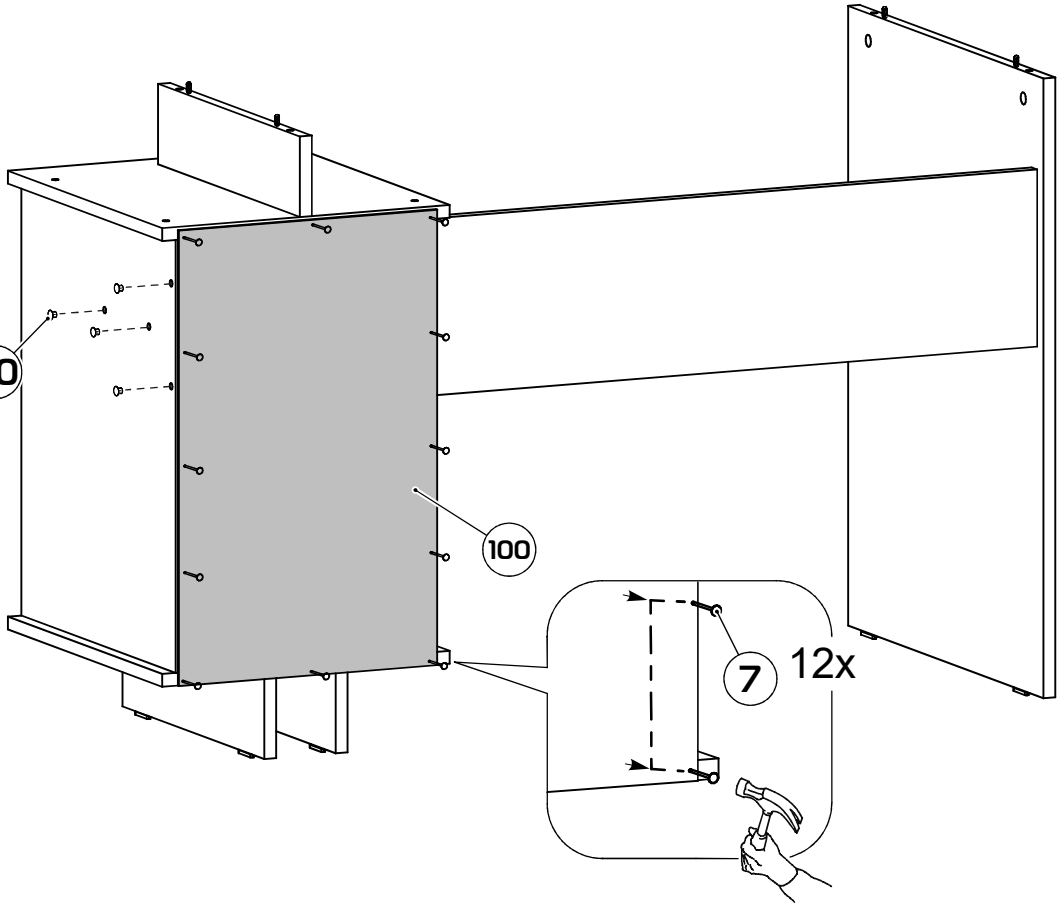
16



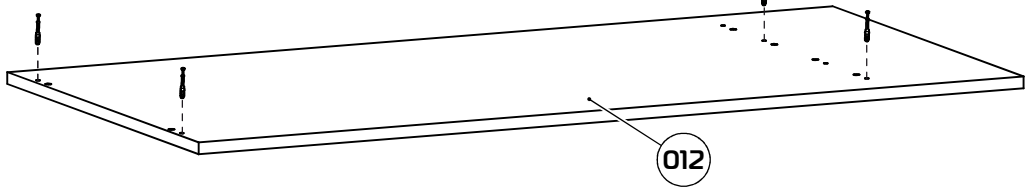
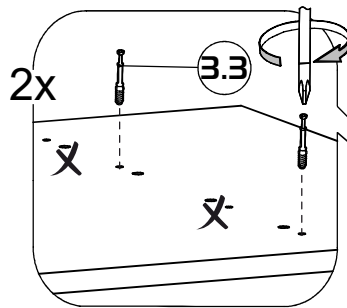
50



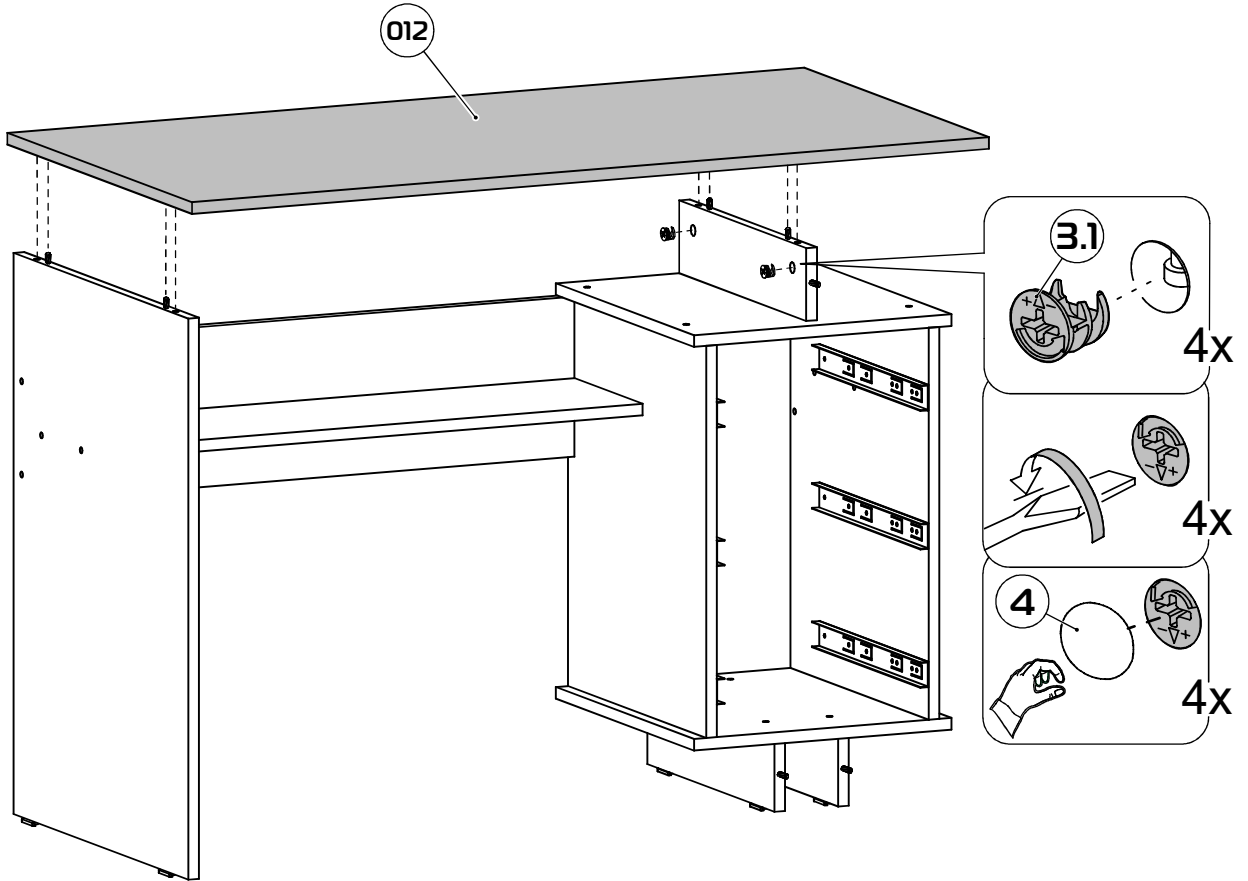
(A=B)



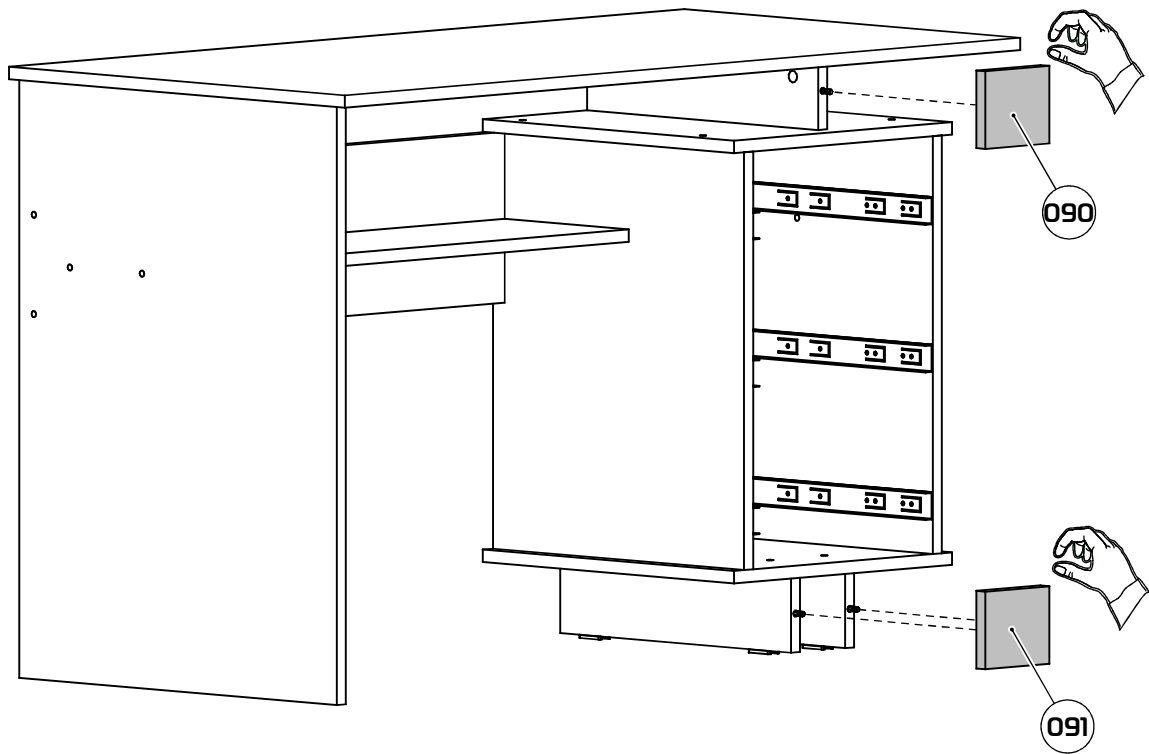
17



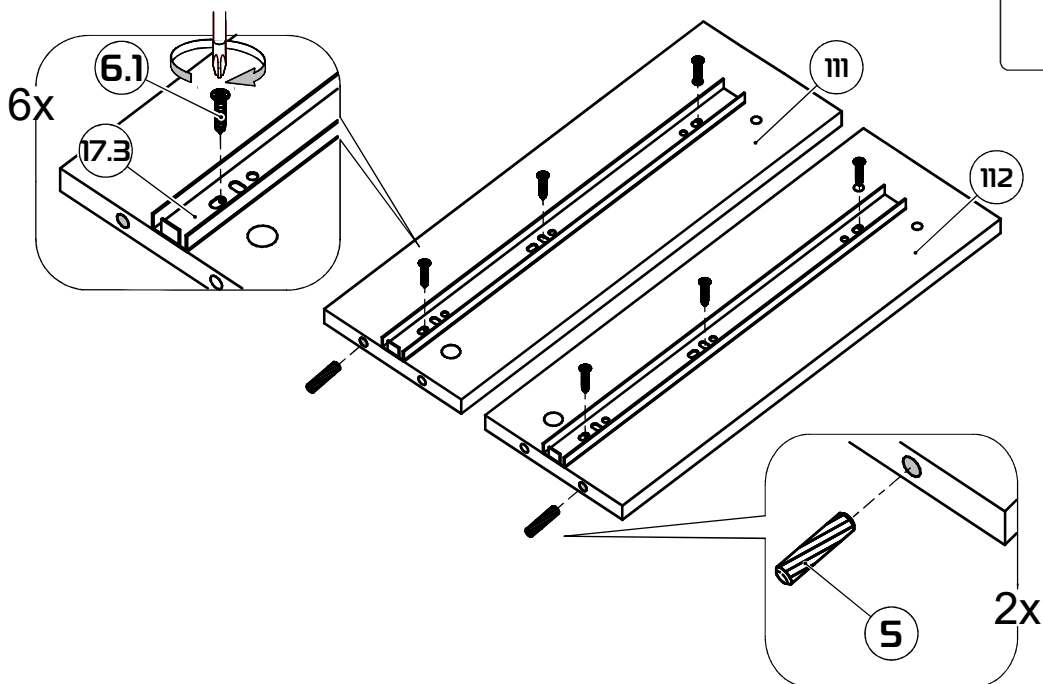
18



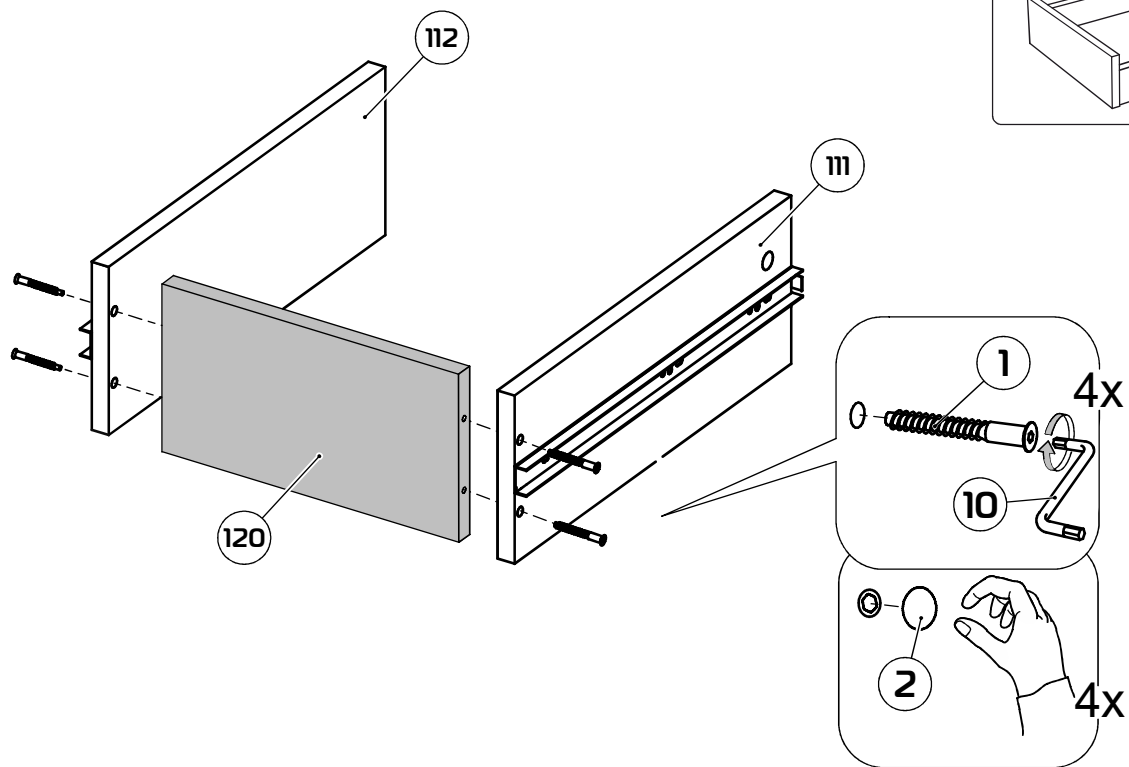
19



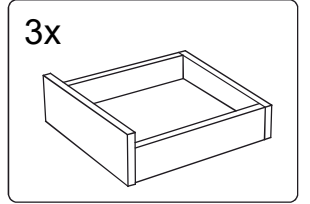
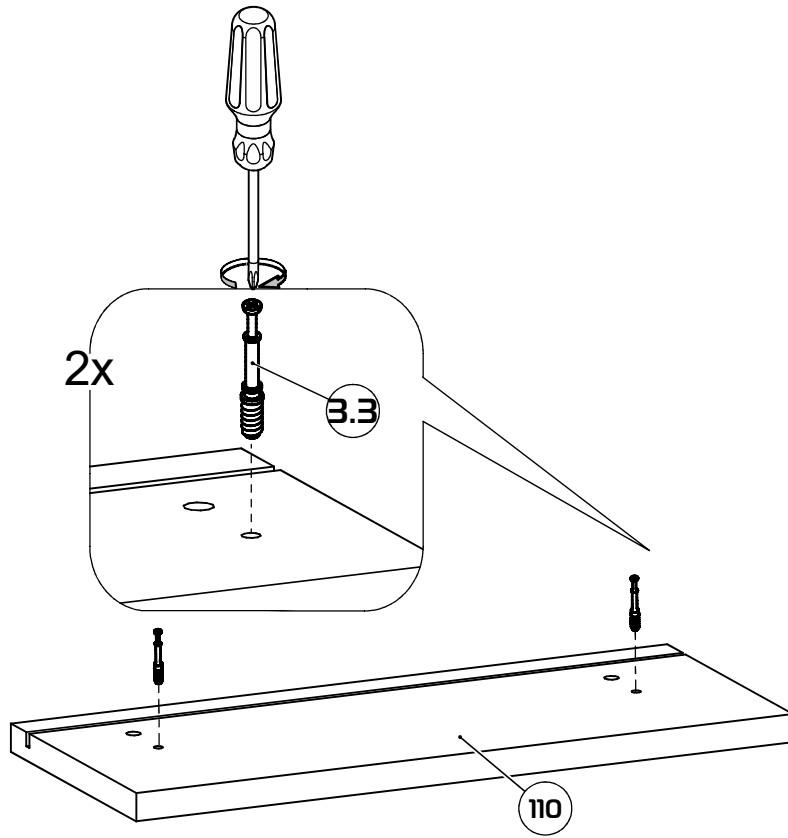
20



21



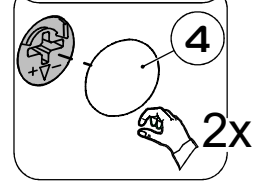
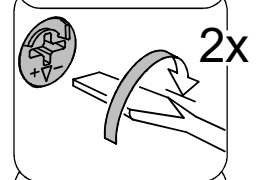
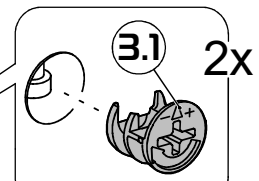
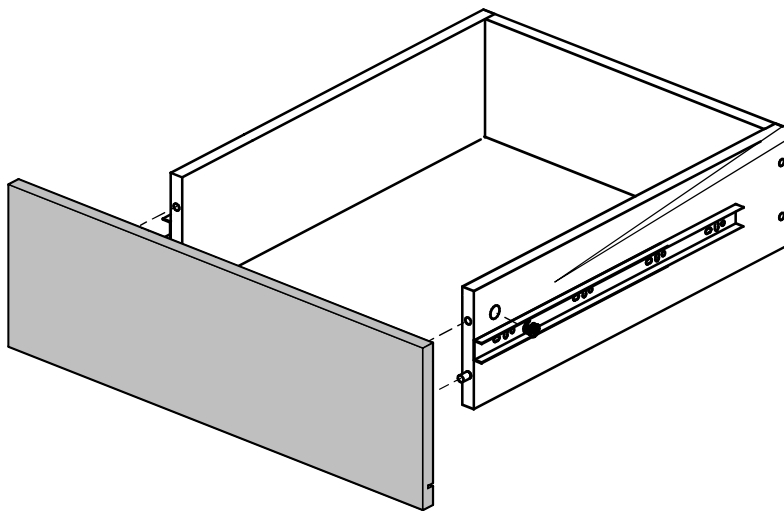
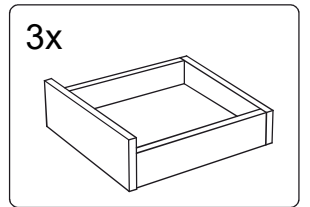
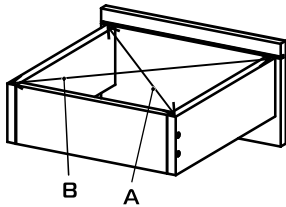
23



24

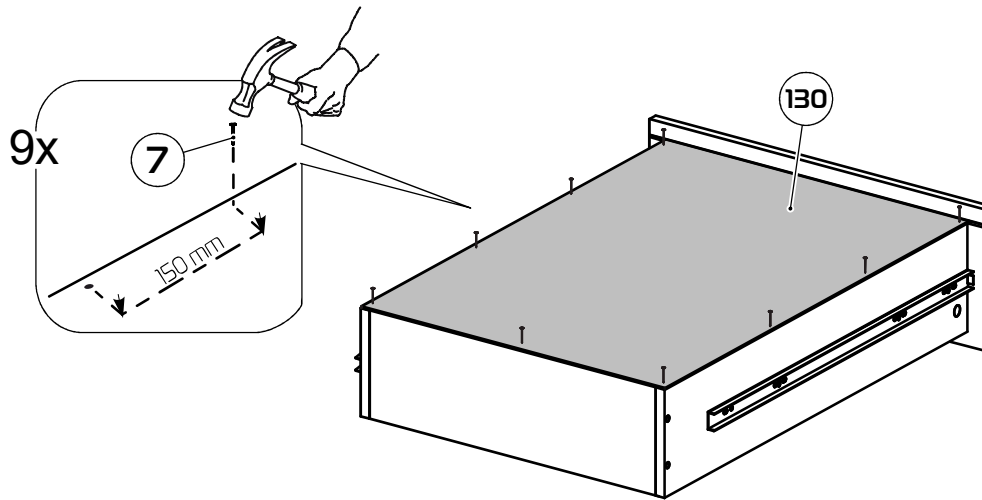
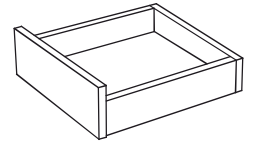


(A=B)



25

3x



26

3x

