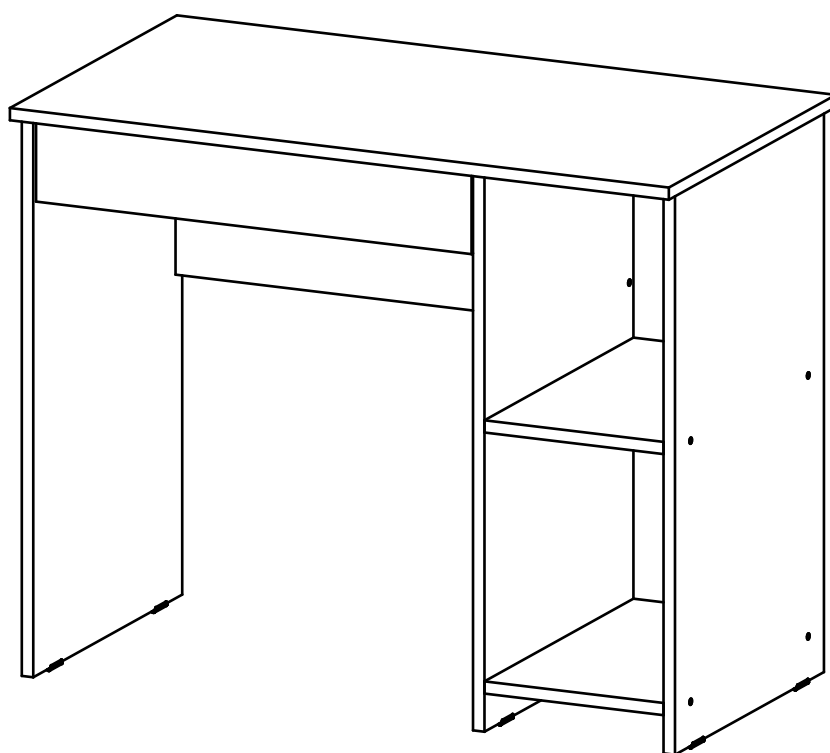


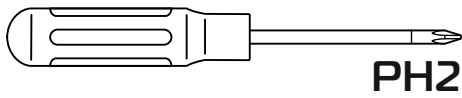
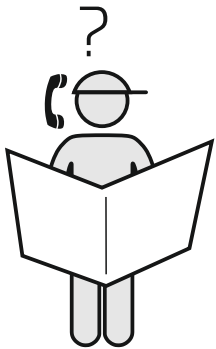
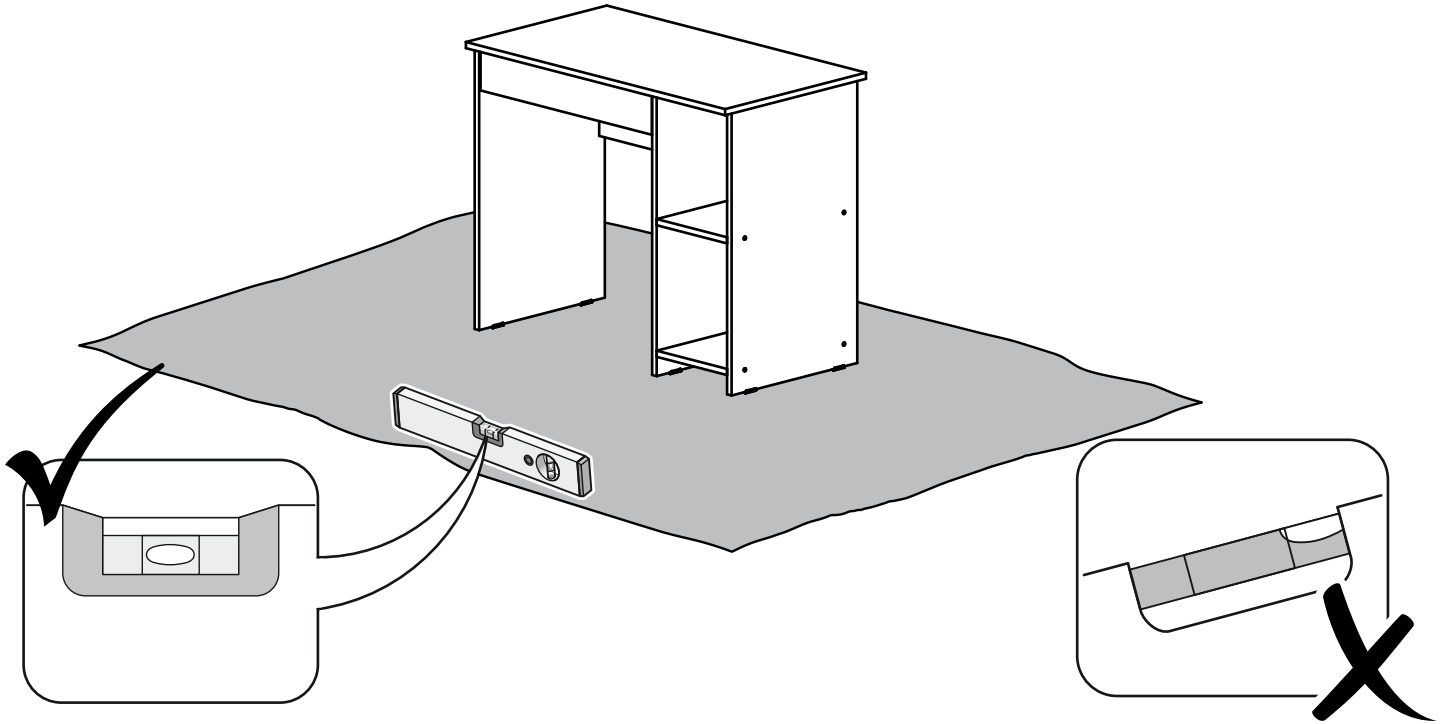
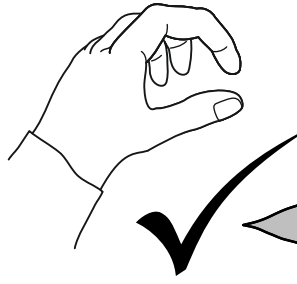
УНО-106

УНО-106

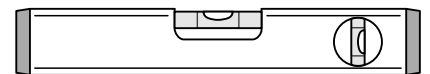
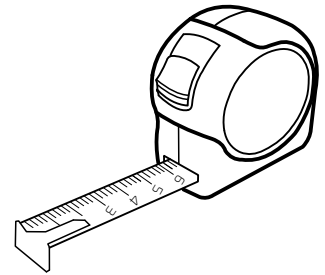
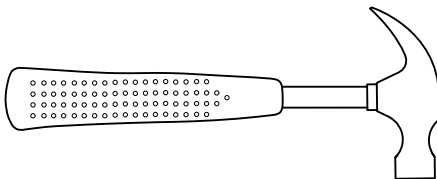


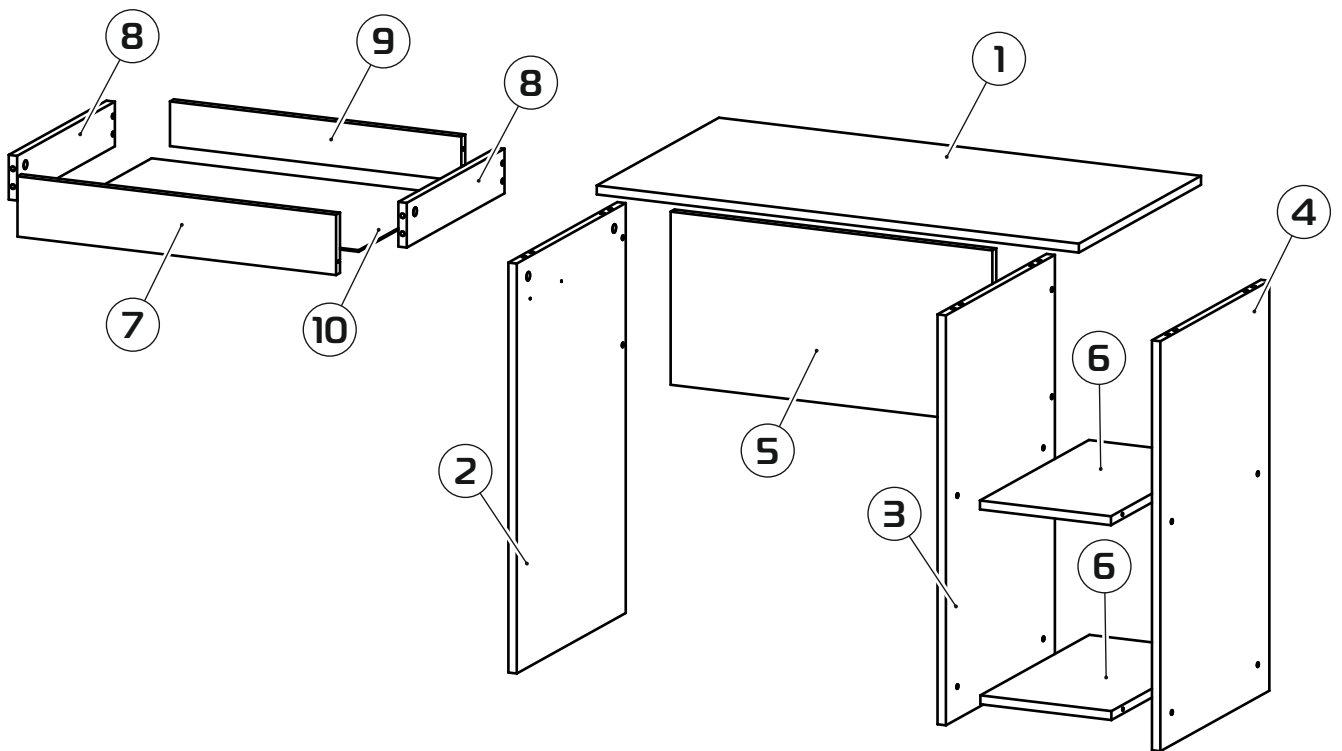


60-75 min



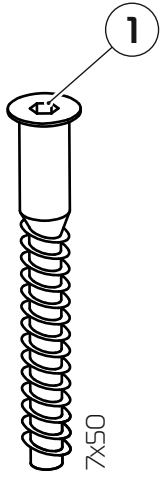
PH2



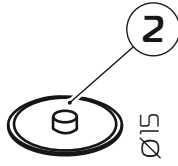


- | | |
|-------------------|-------------------|
| ① 920x446x16 (x1) | ⑥ 250x446x16 (x2) |
| ② 734x446x16 (x1) | ⑦ 608x108x16 (x1) |
| ③ 734x446x16 (x1) | ⑧ 400x80x16 (x2) |
| ④ 734x446x16 (x1) | ⑨ 556x80x16 (x1) |
| ⑤ 614x310x16 (x1) | ⑩ 405x584x3 (x1) |

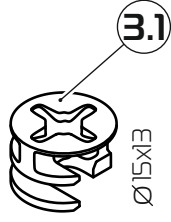
1:1



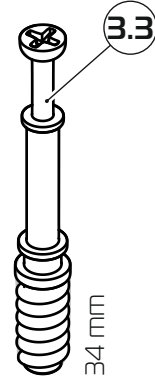
x16



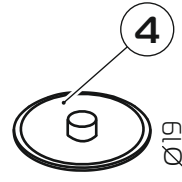
x16



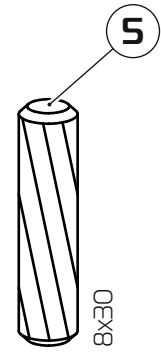
x8



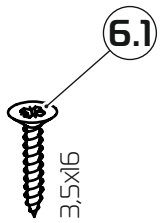
x8



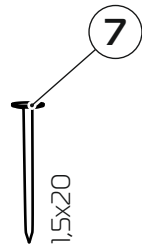
x8



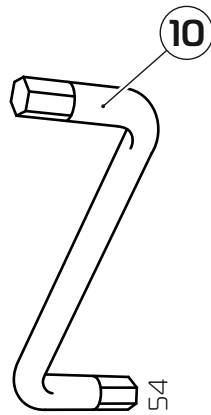
x8



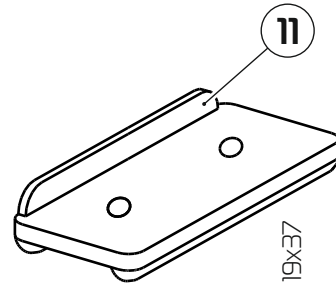
x12



x21

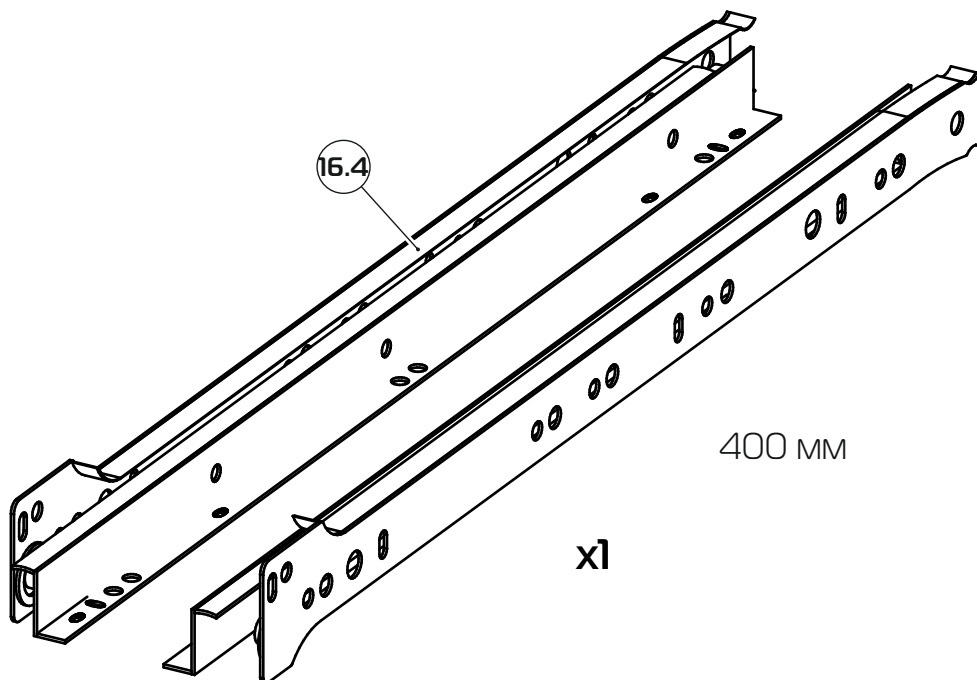


x1

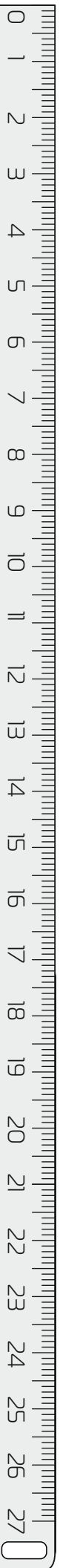


x6

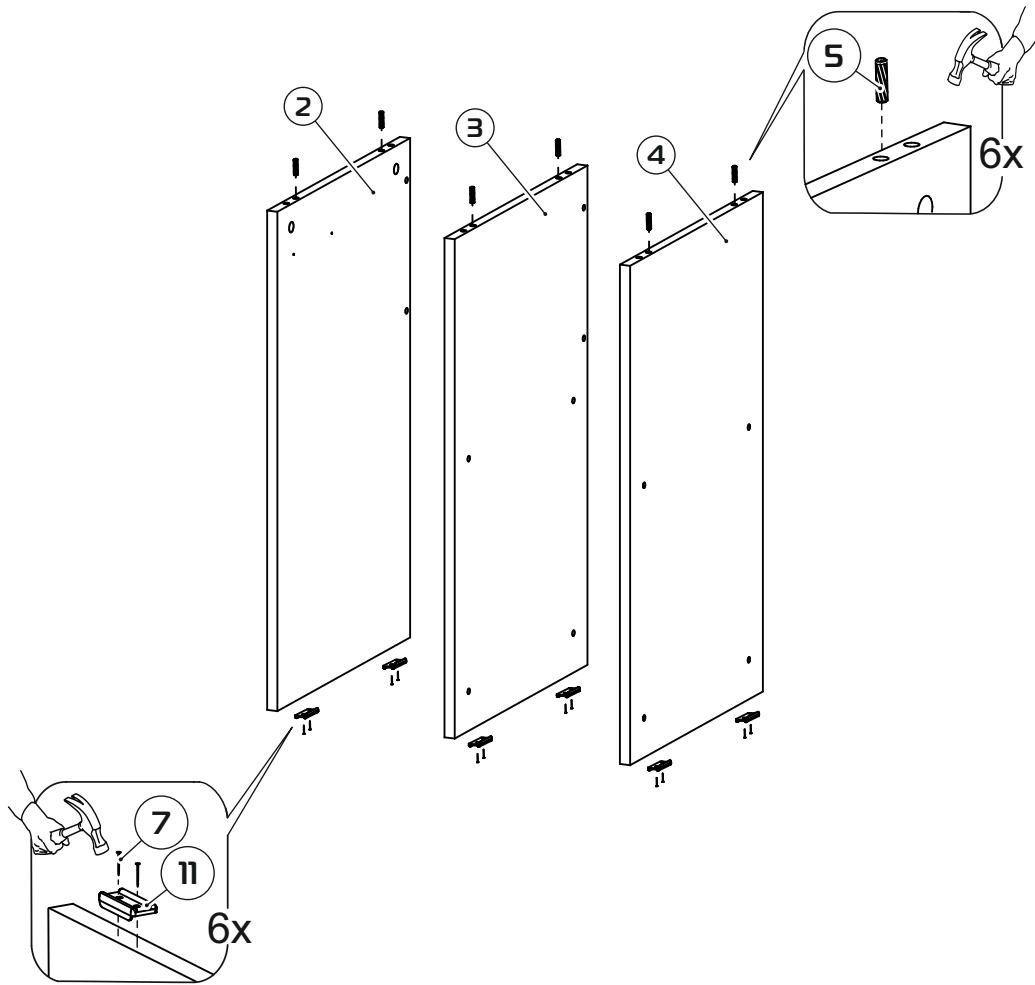
1:2



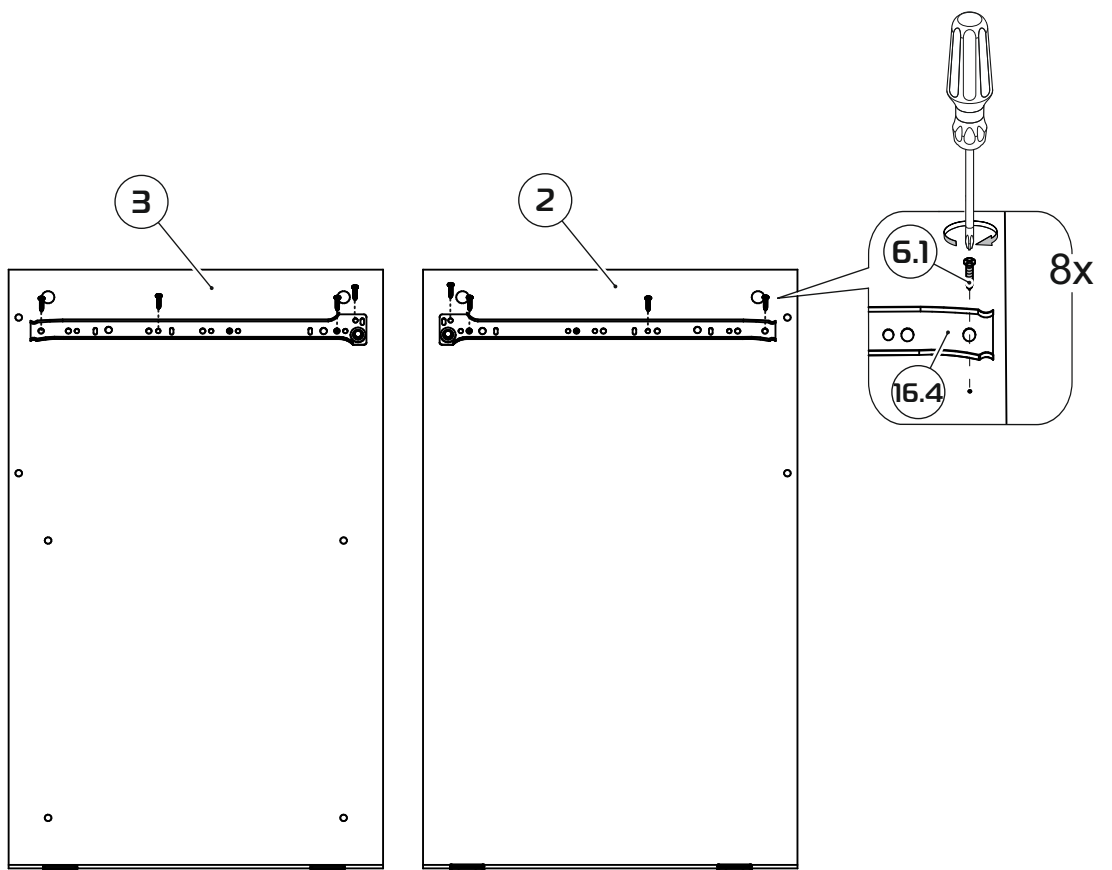
x1



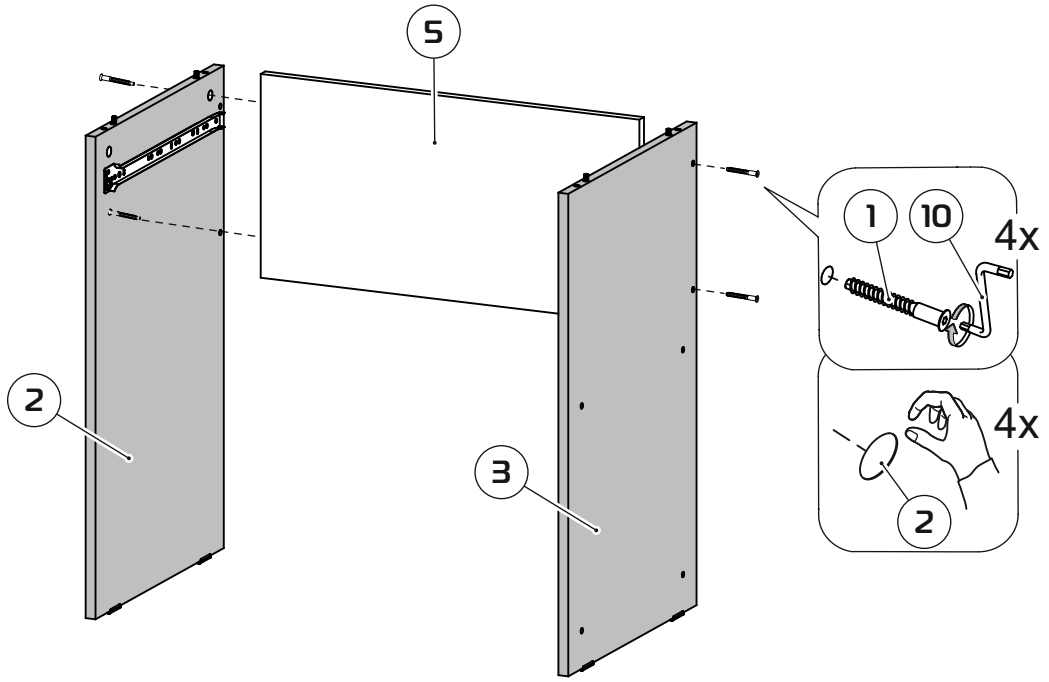
1



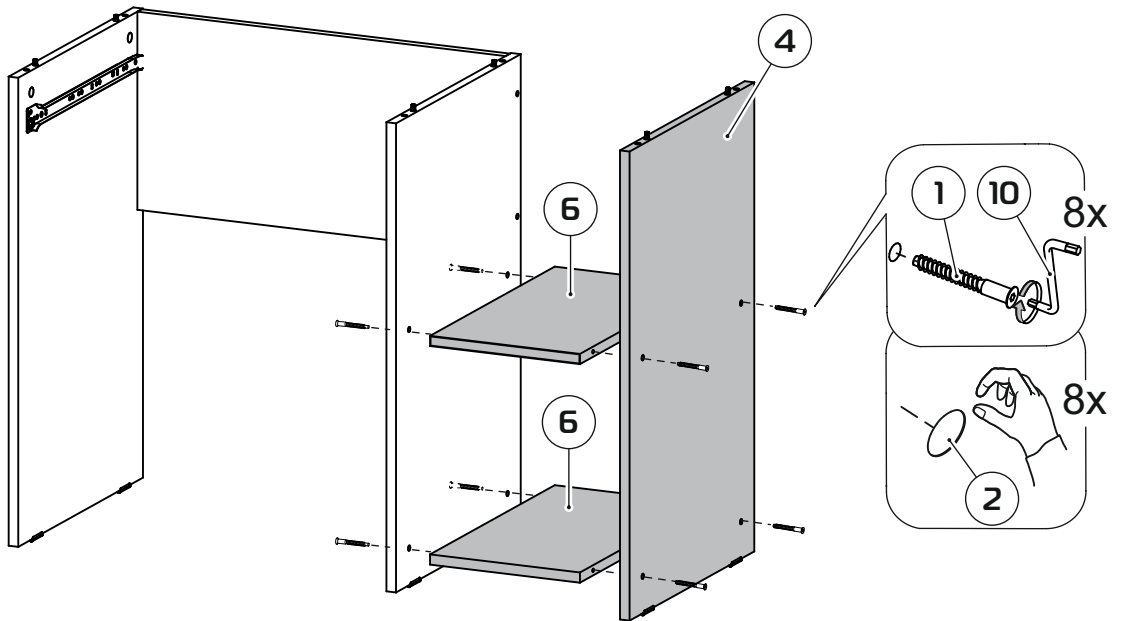
2



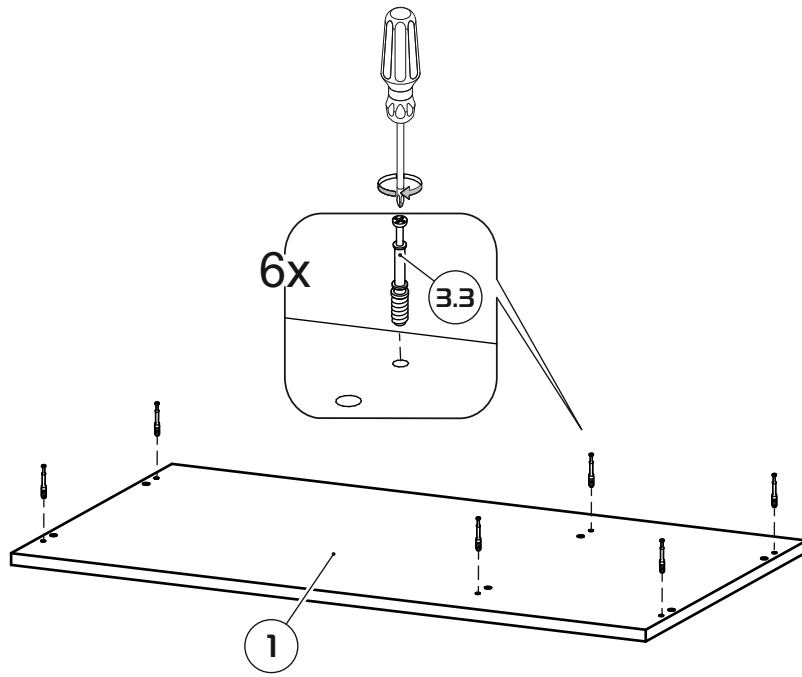
3



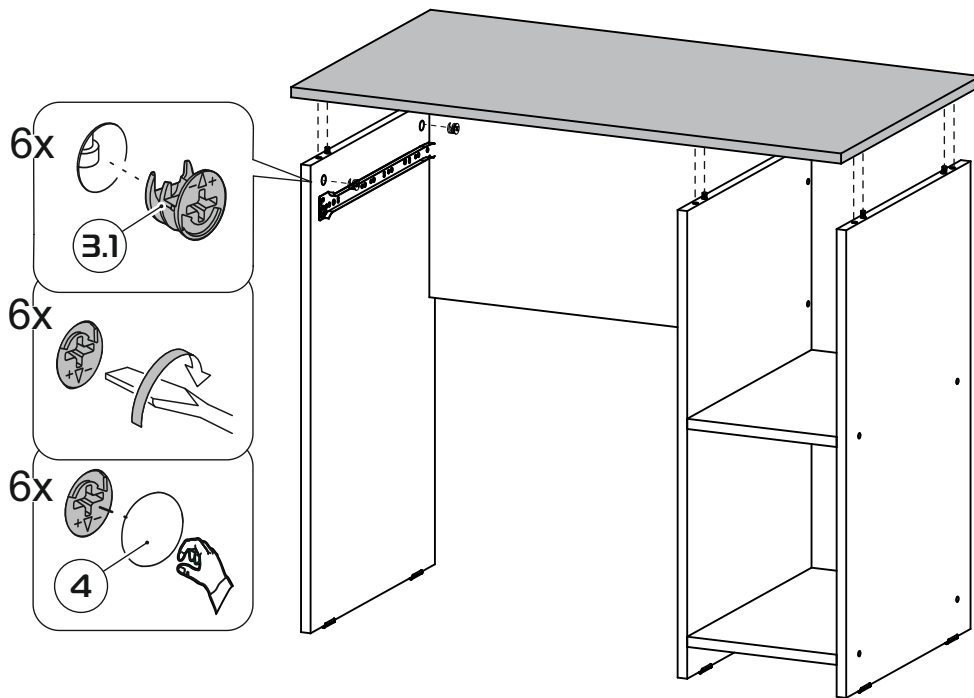
4



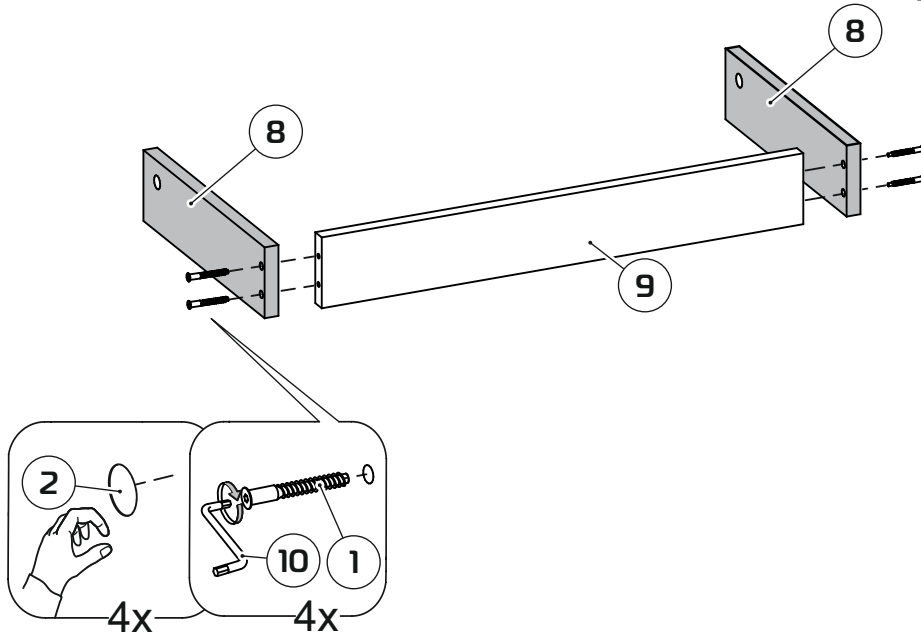
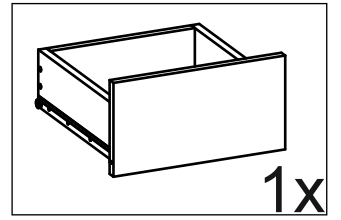
5



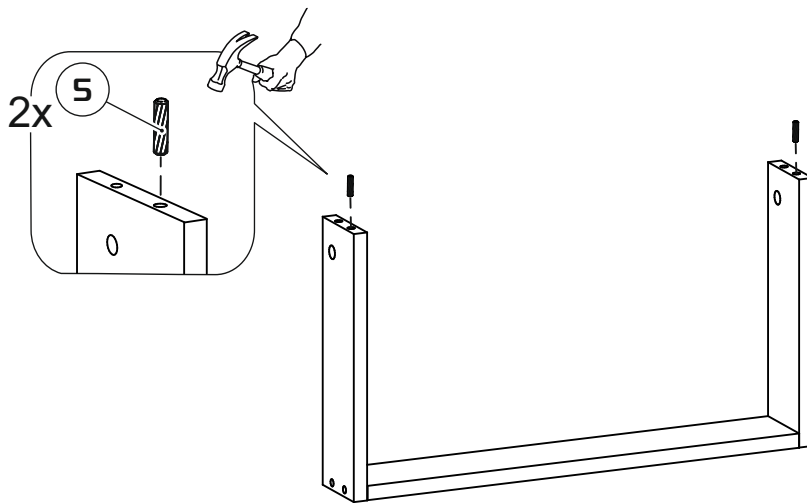
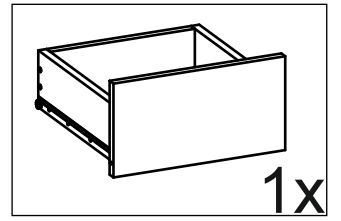
6



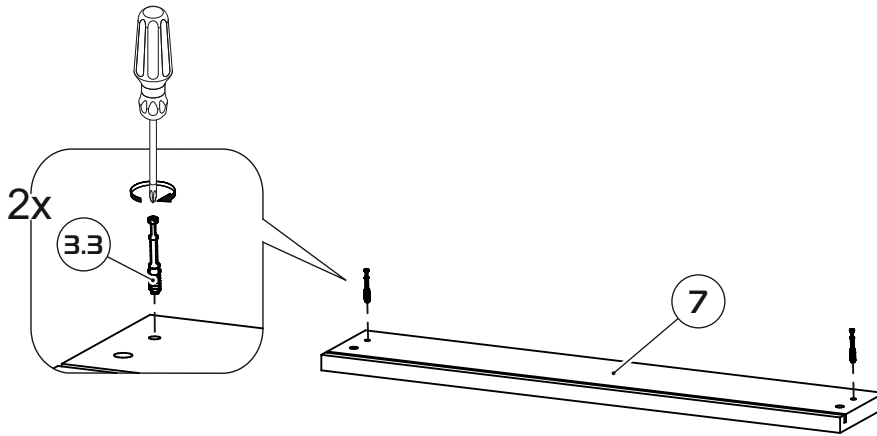
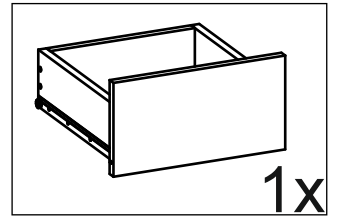
7



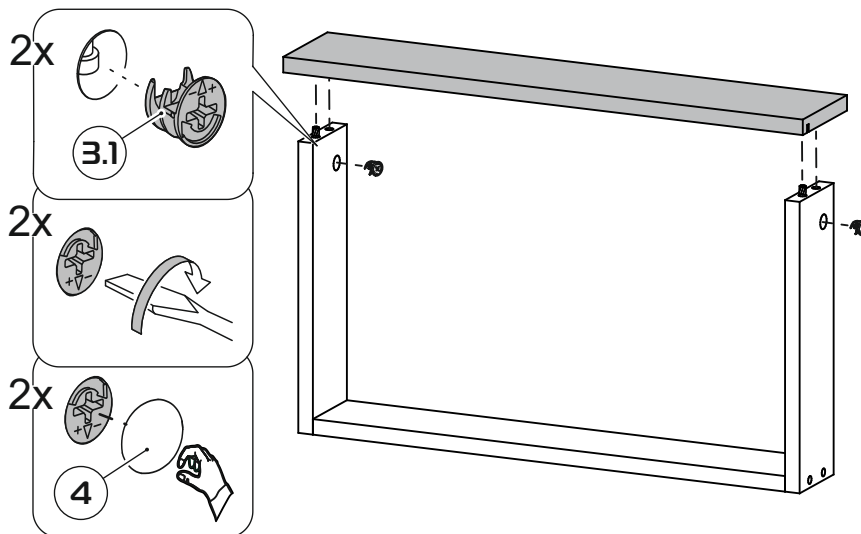
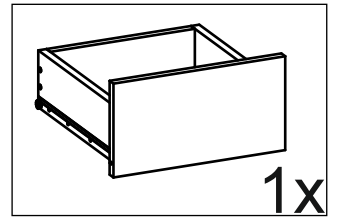
8



9



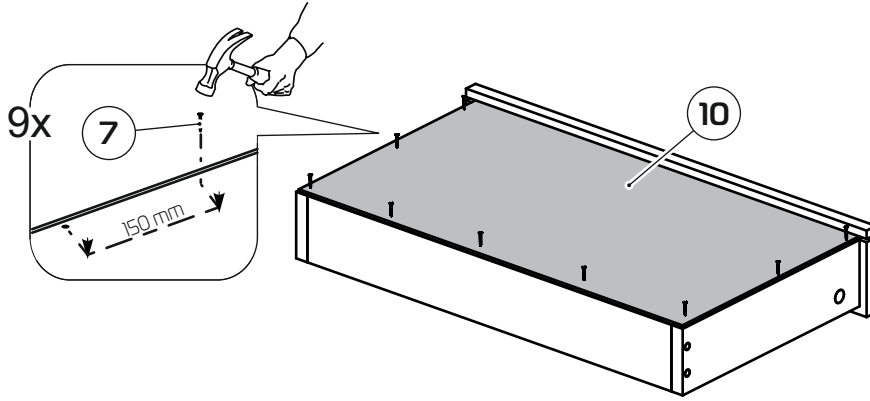
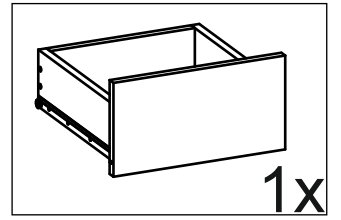
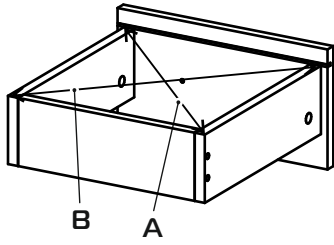
10



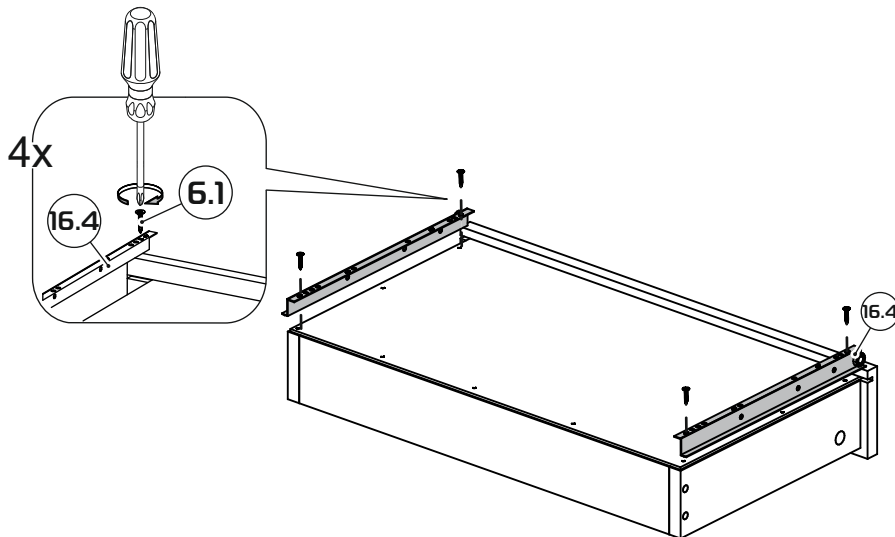
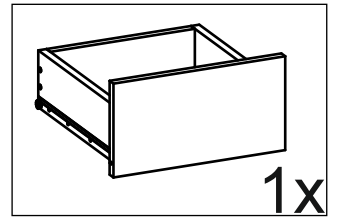
11



(A=B)



12



13

