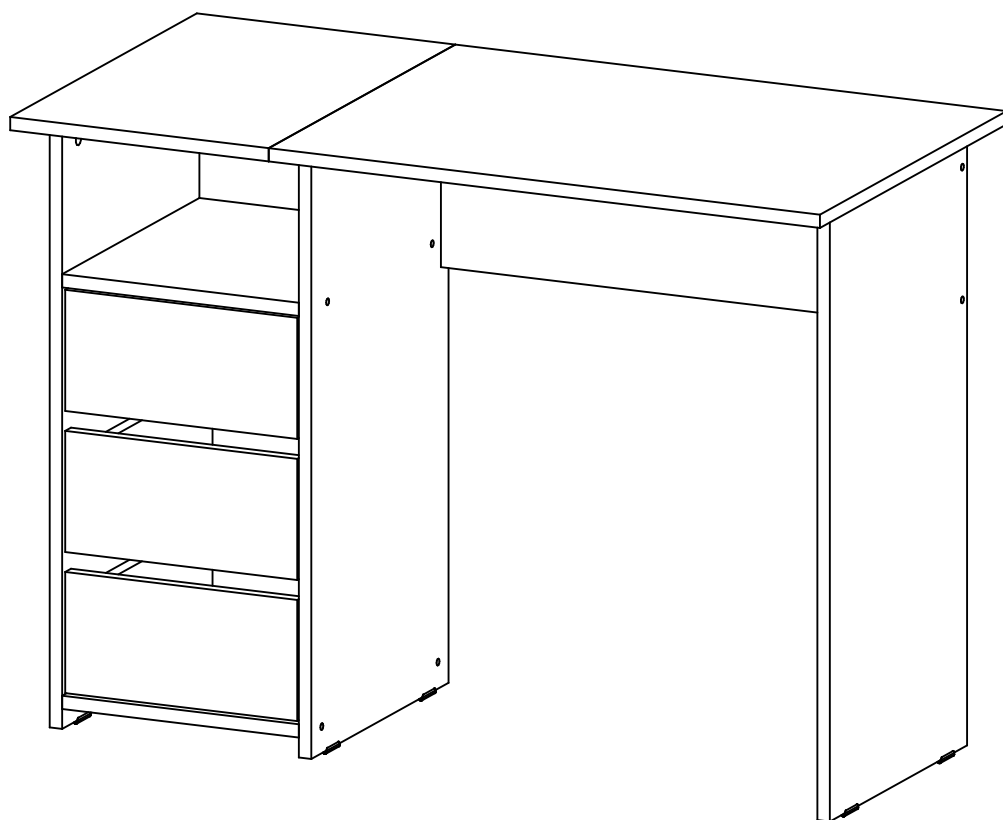
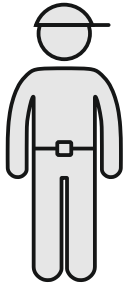


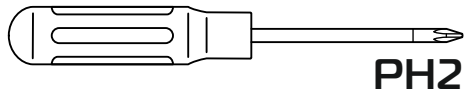
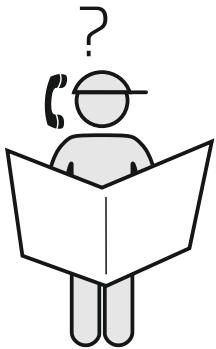
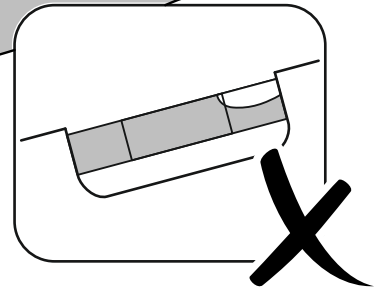
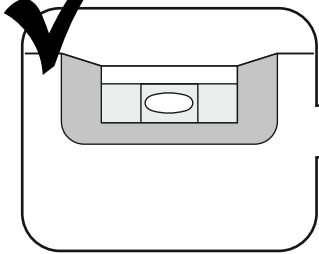
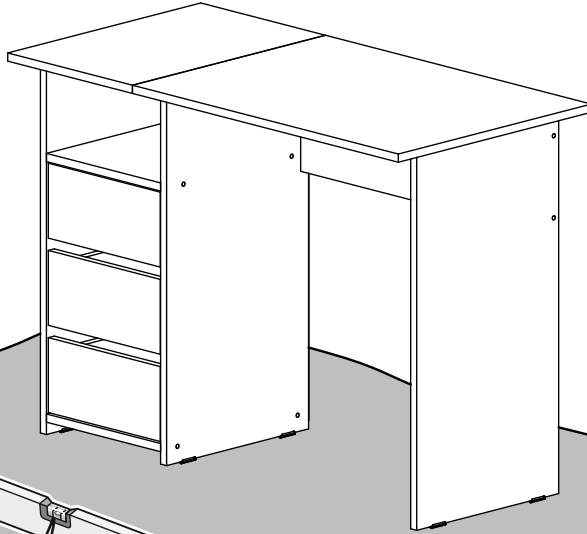
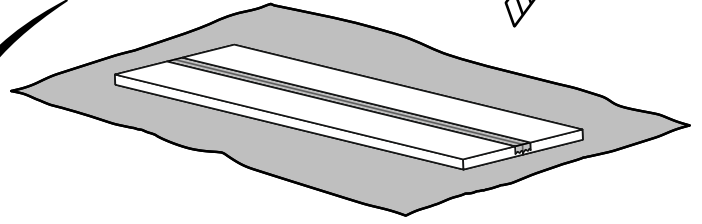
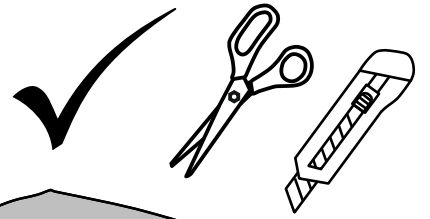
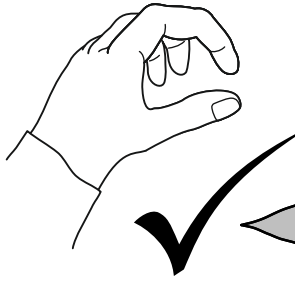
ВИТТО-30

VITTO-30

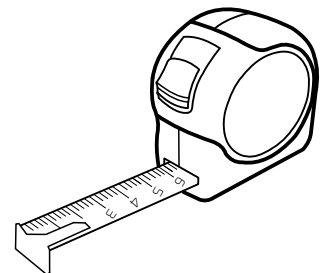
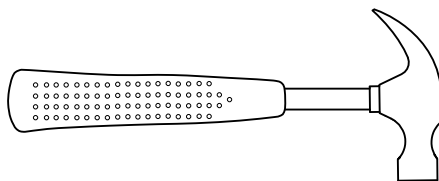
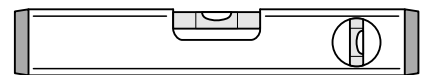


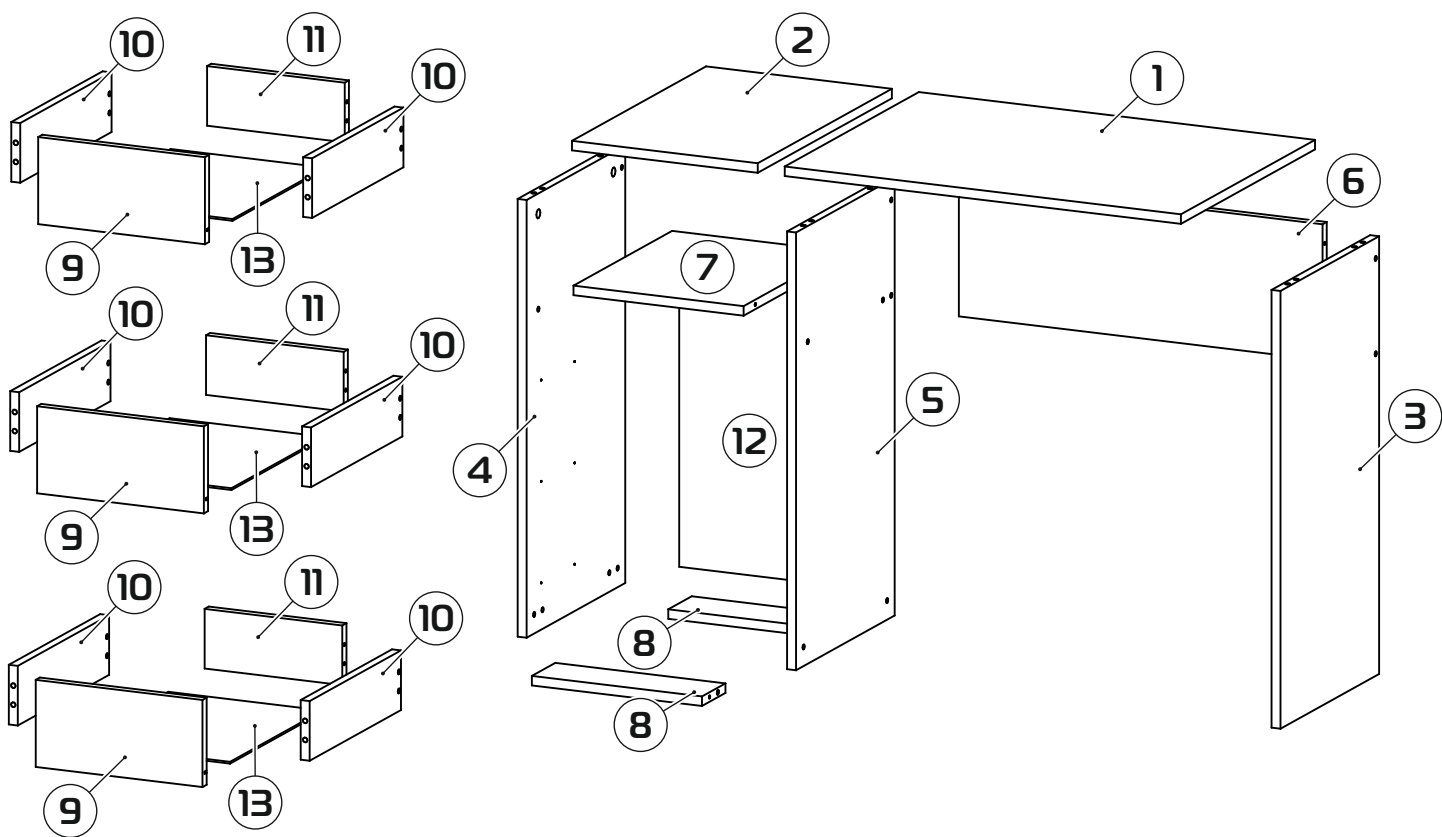


75-90 min



PH2





① 708x514x16 (x1)

⑦ 378x304x16 (x1)

② 332x514x16 (x1)

⑧ 90x304x16 (x2)

③ 734x378x16 (x1)

⑨ 298x146x16 (x3)

④ 734x378x16 (x1)

⑩ 100x350x16 (x6)

⑤ 734x378x16 (x1)

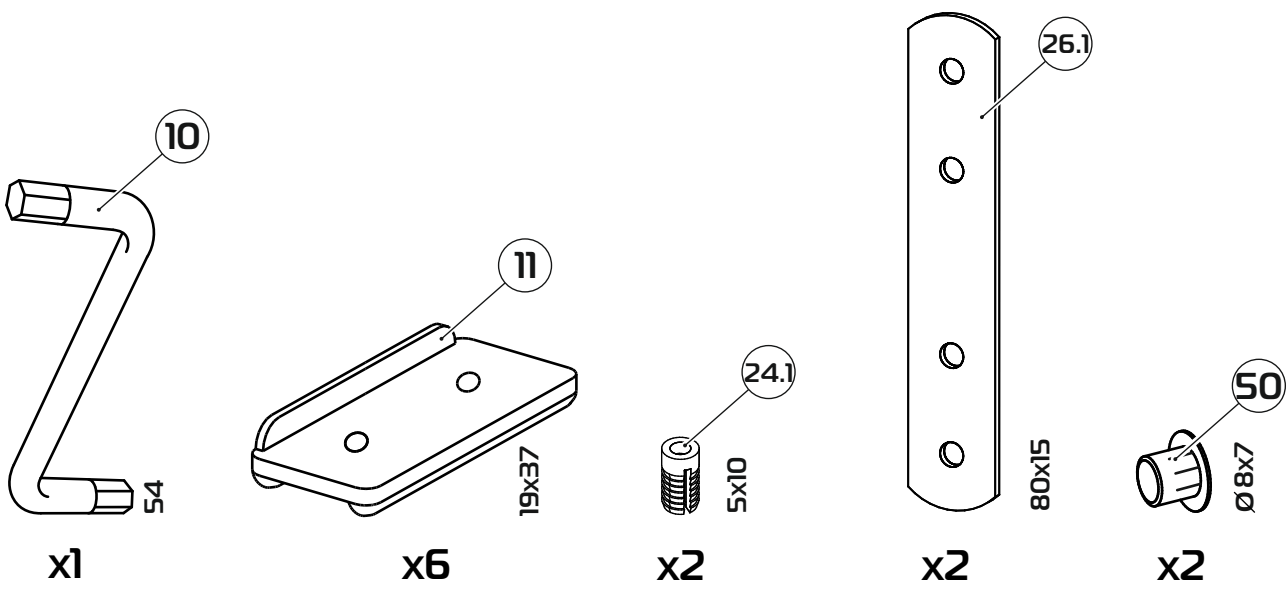
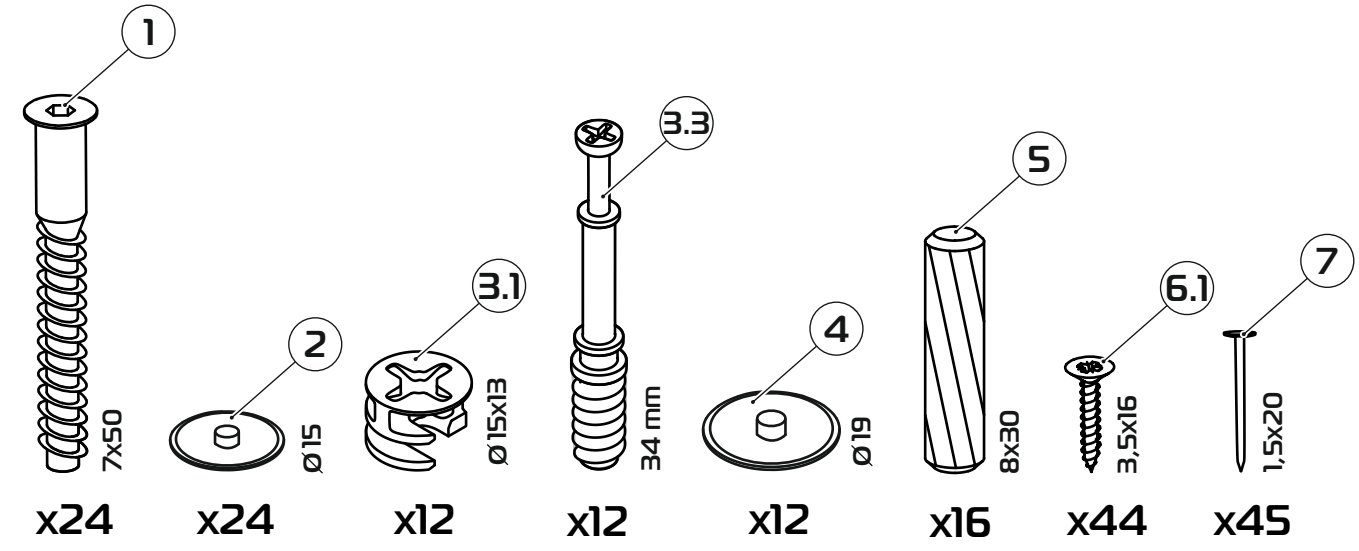
⑪ 100x246x16 (x3)

⑥ 228x650x16 (x1)

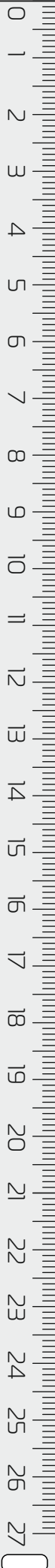
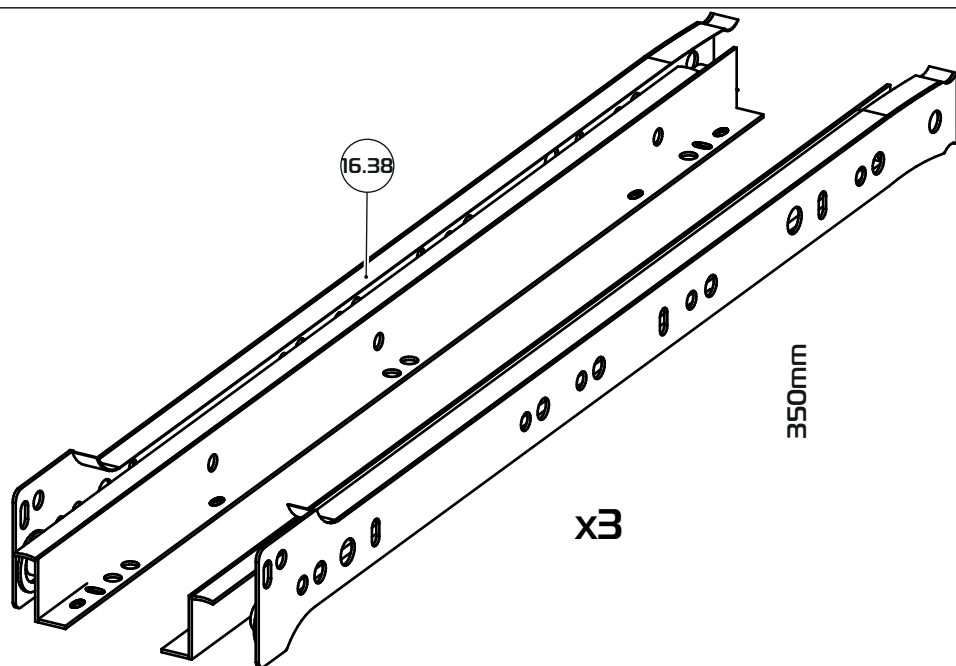
⑫ 530x332x3 (x1)

⑬ 276x355x3 (x3)

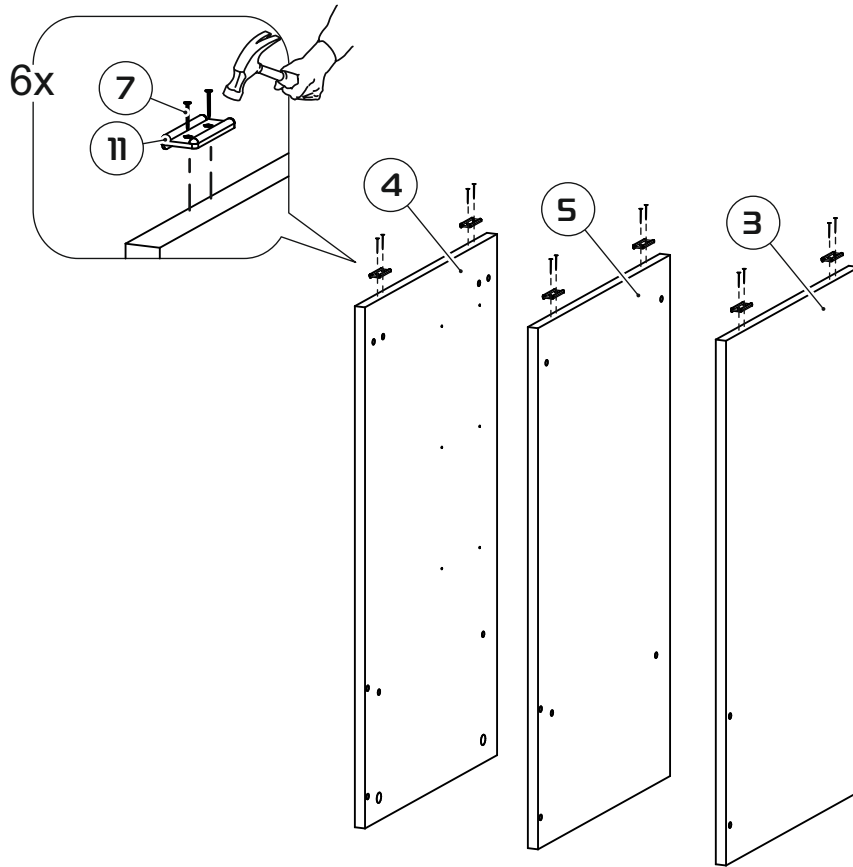
1:1



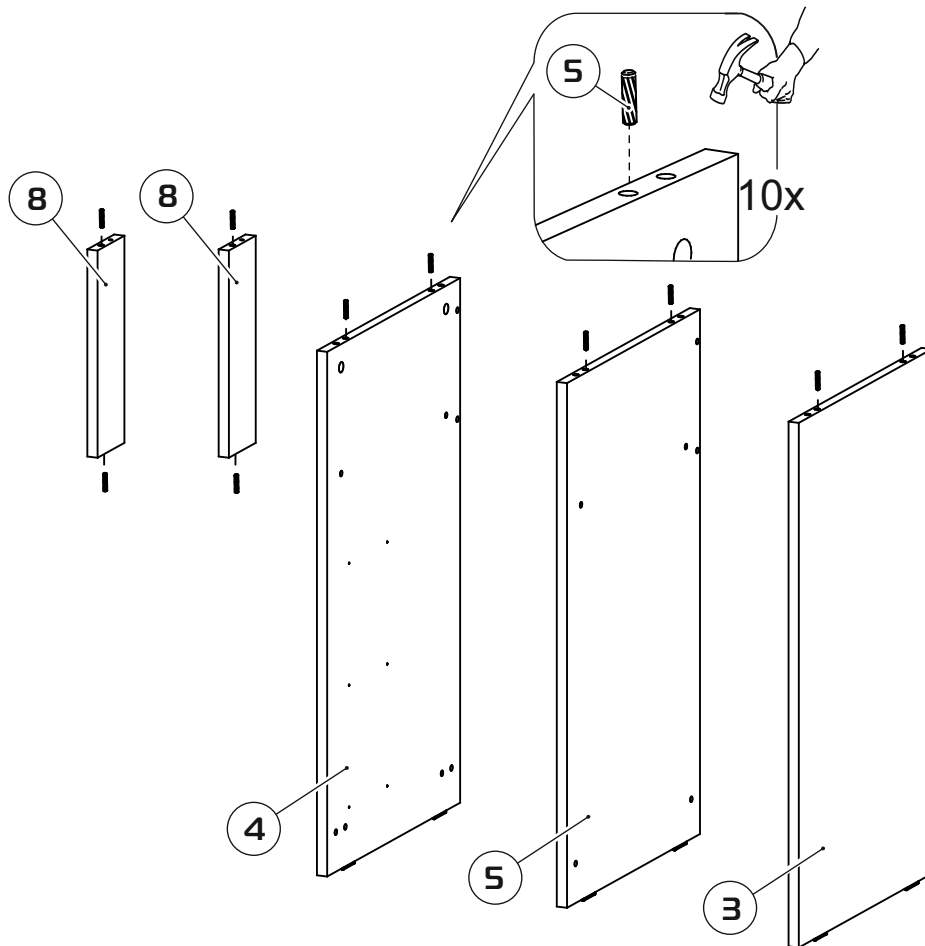
1:3



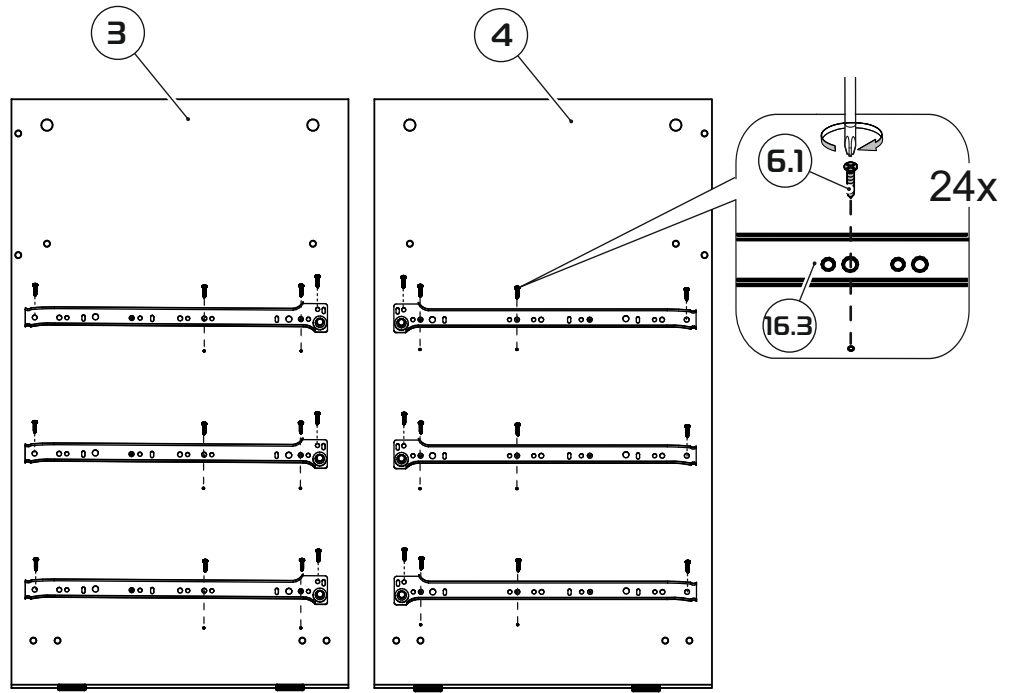
1



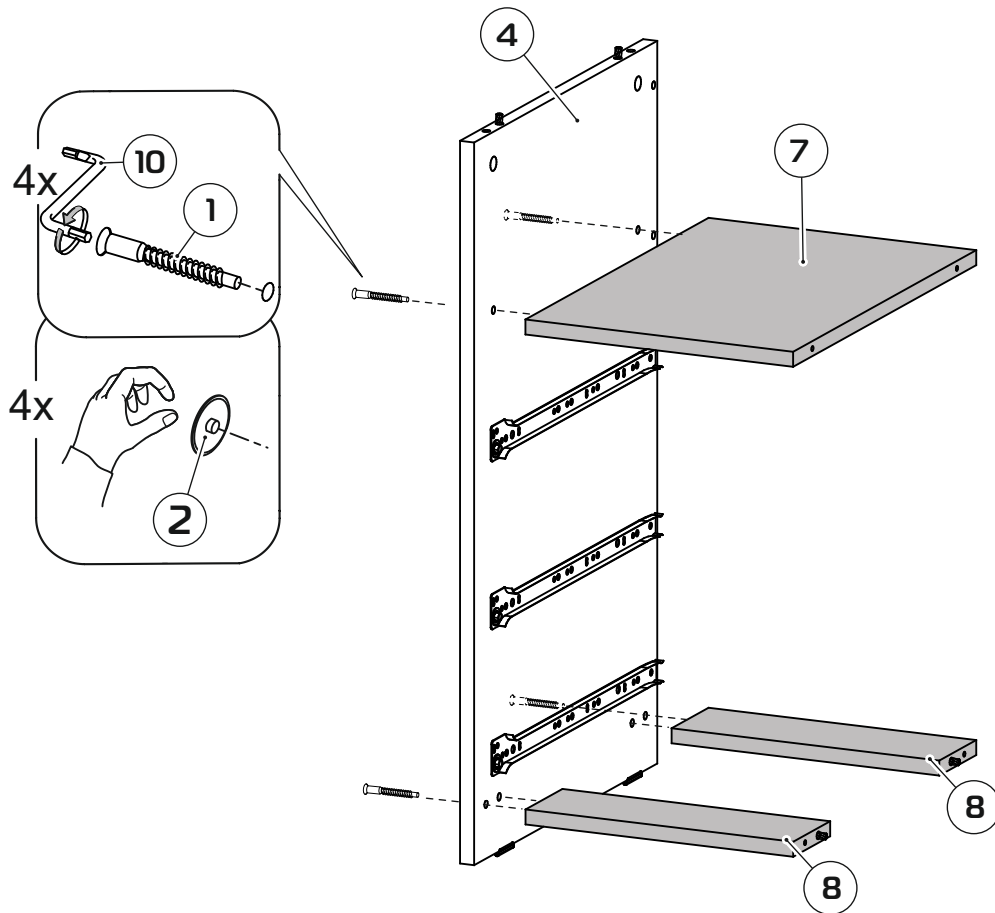
2



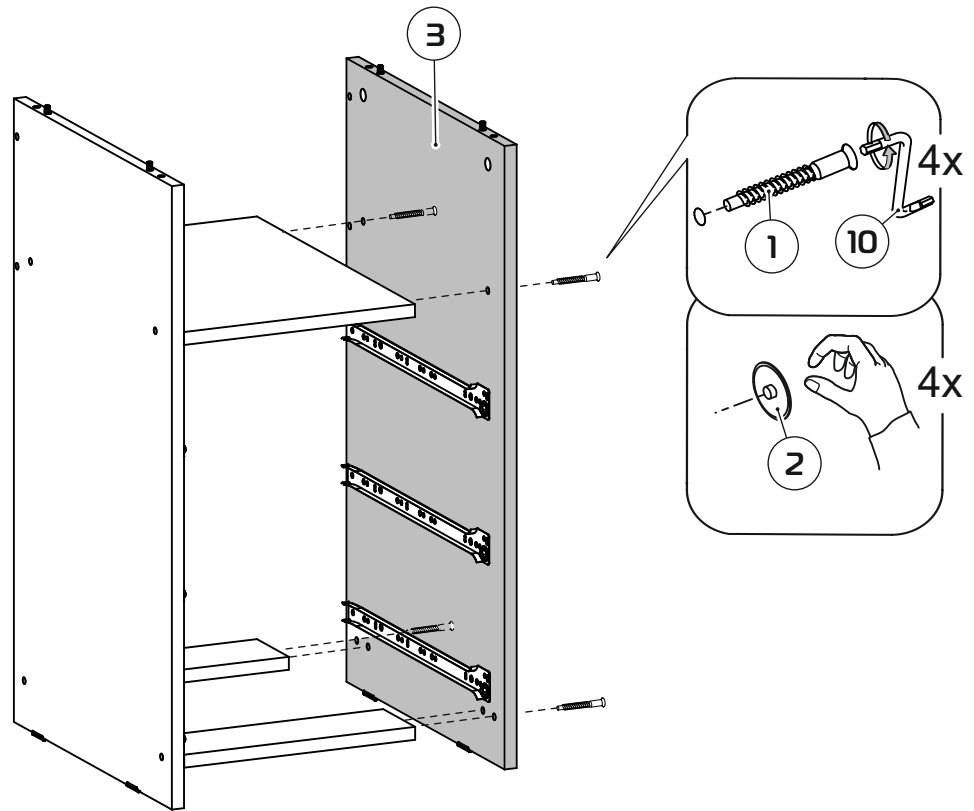
3



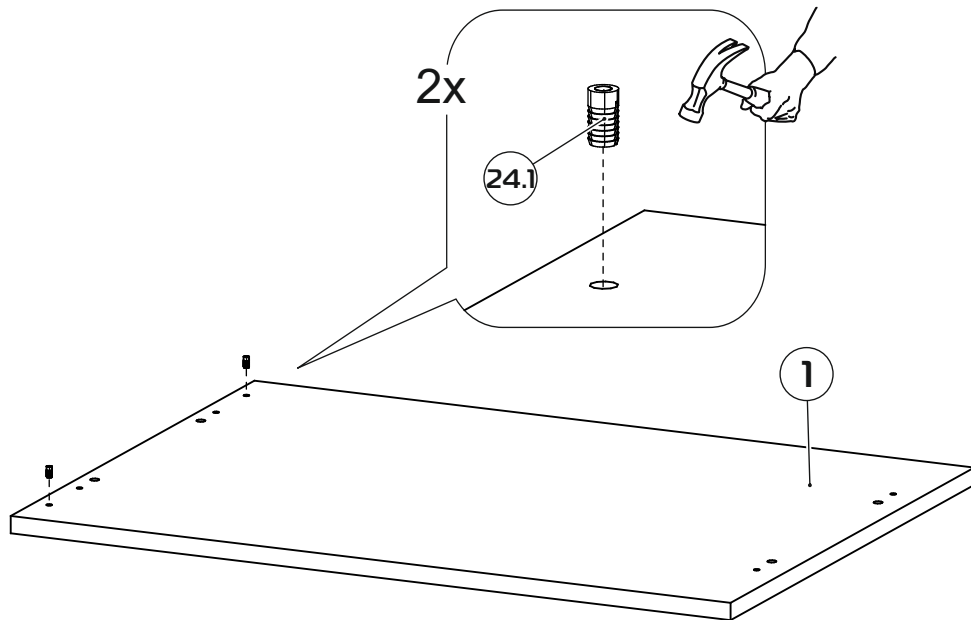
4



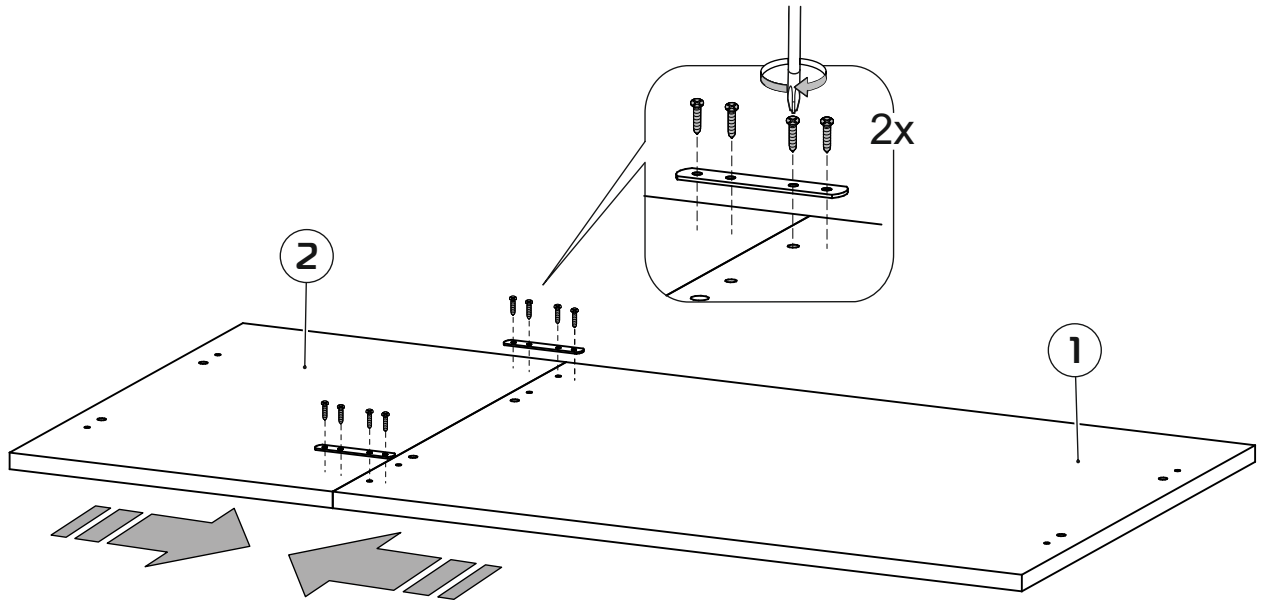
5



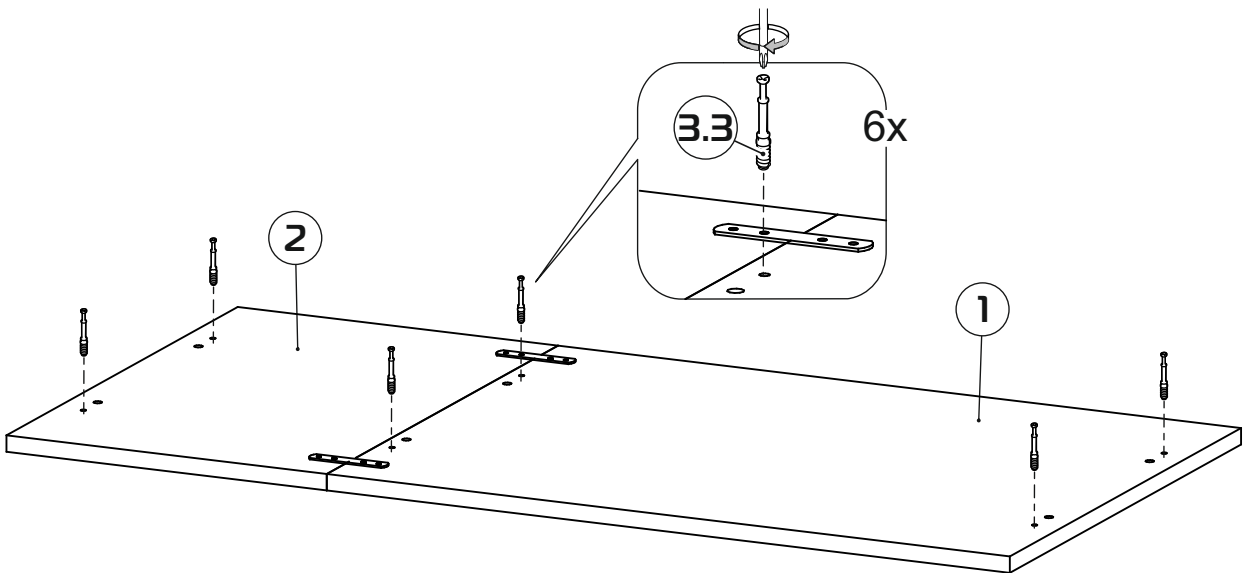
6

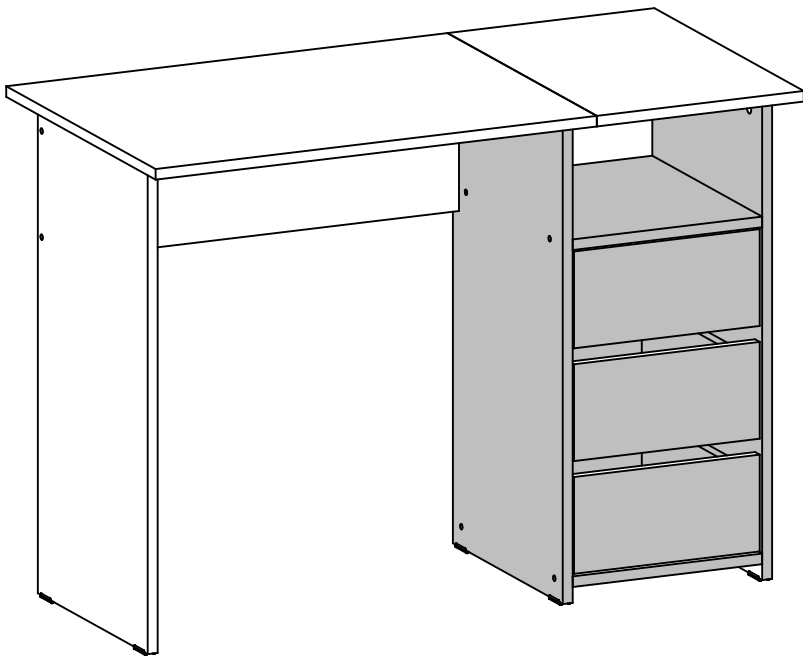
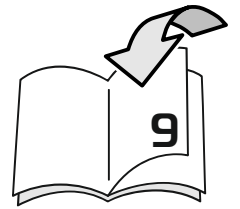
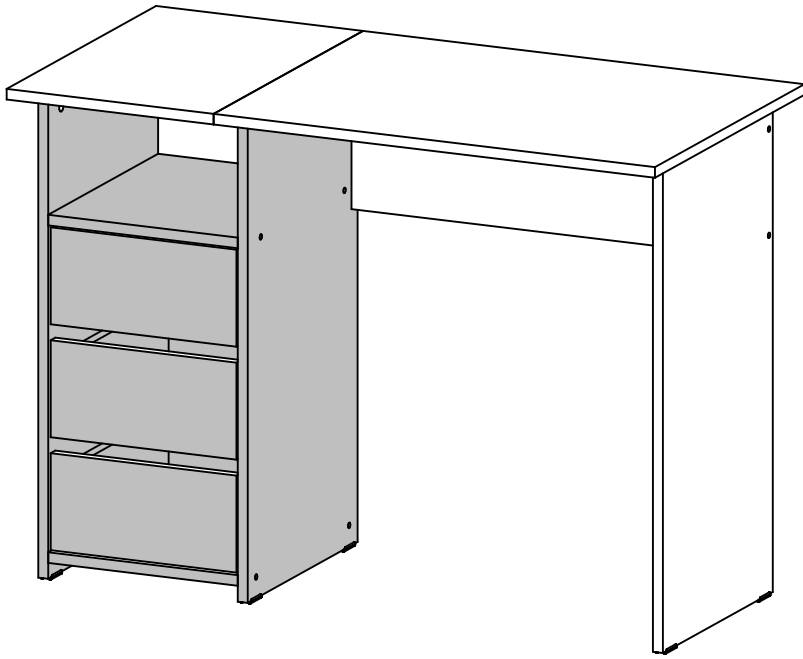


7

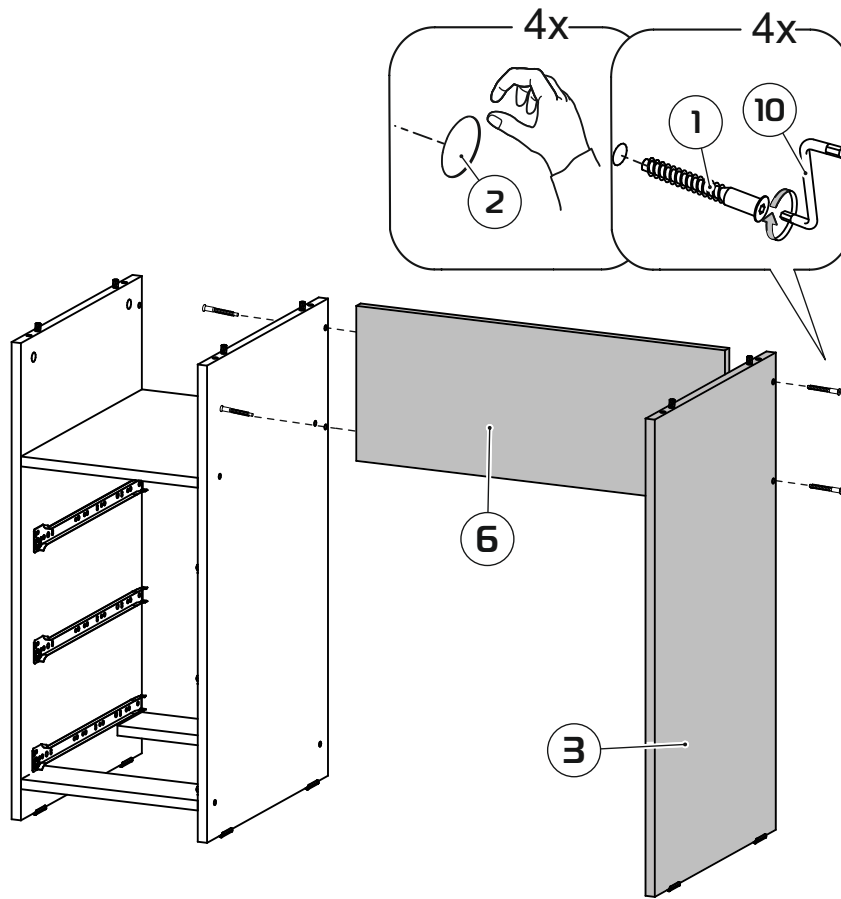


8

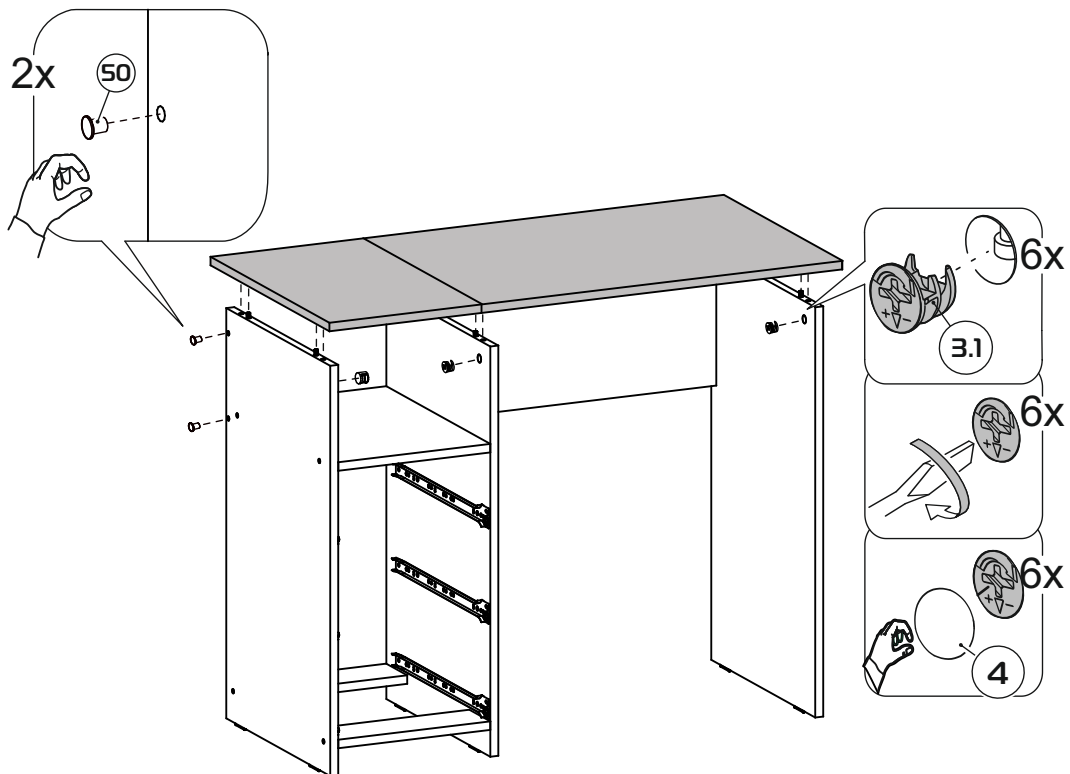




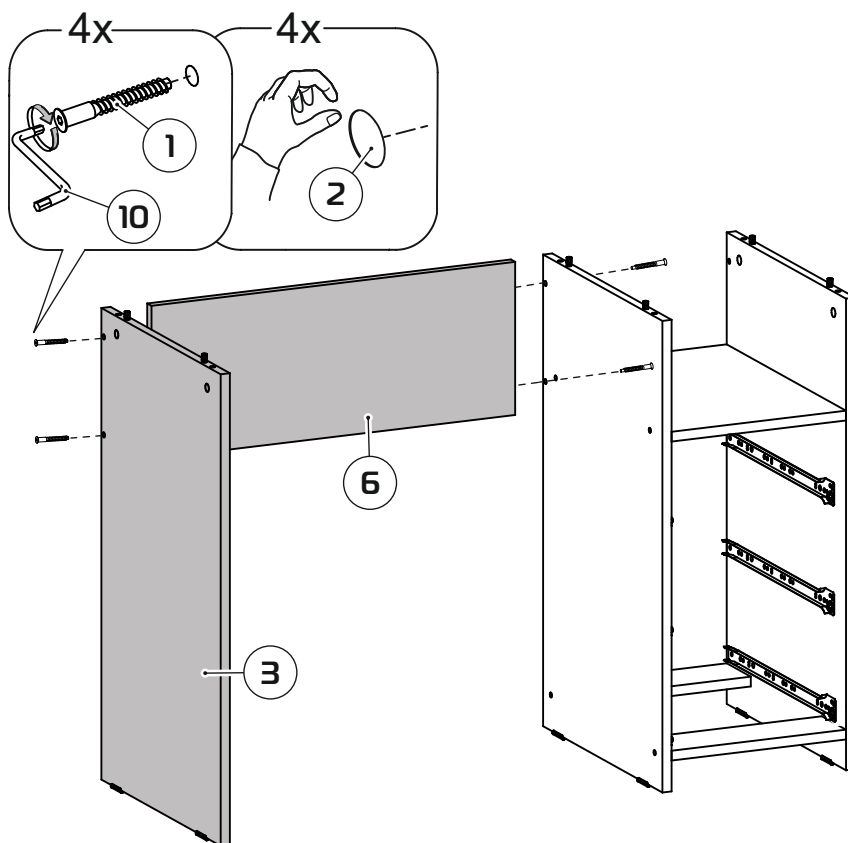
9



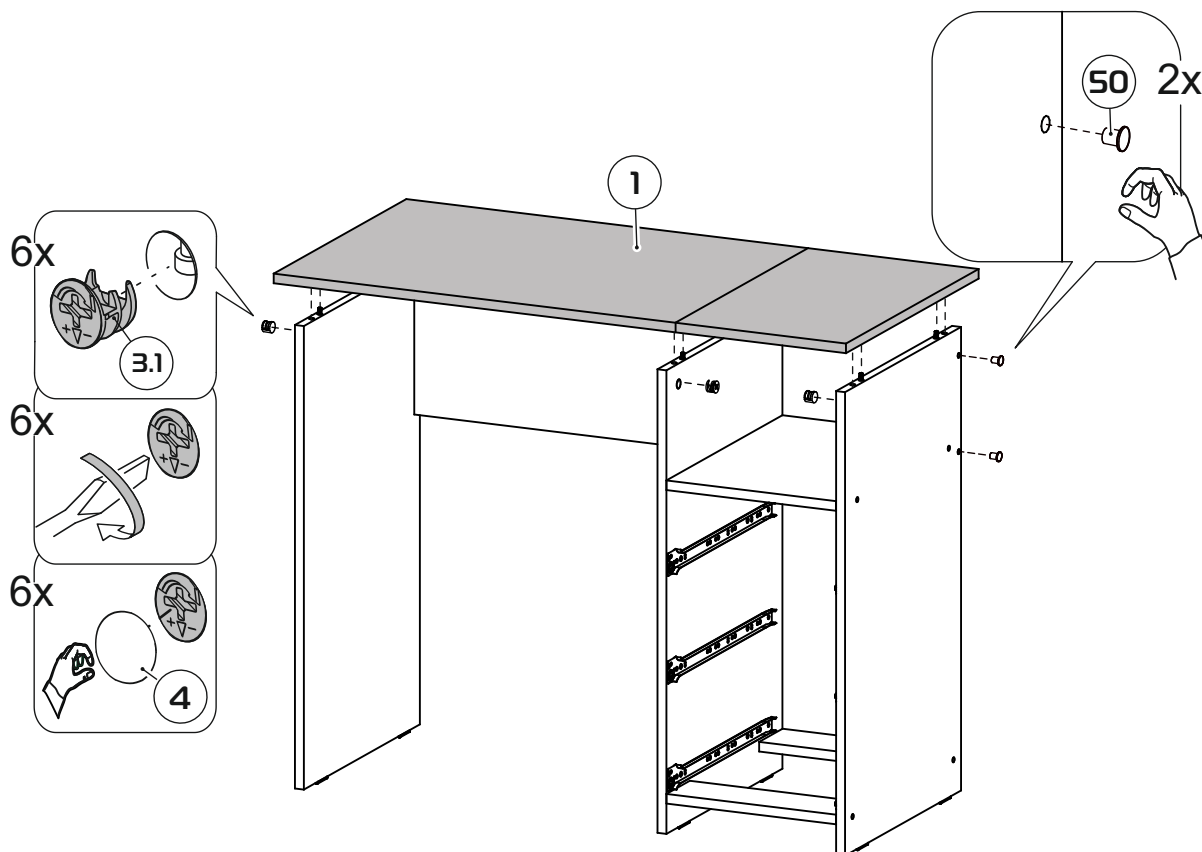
10



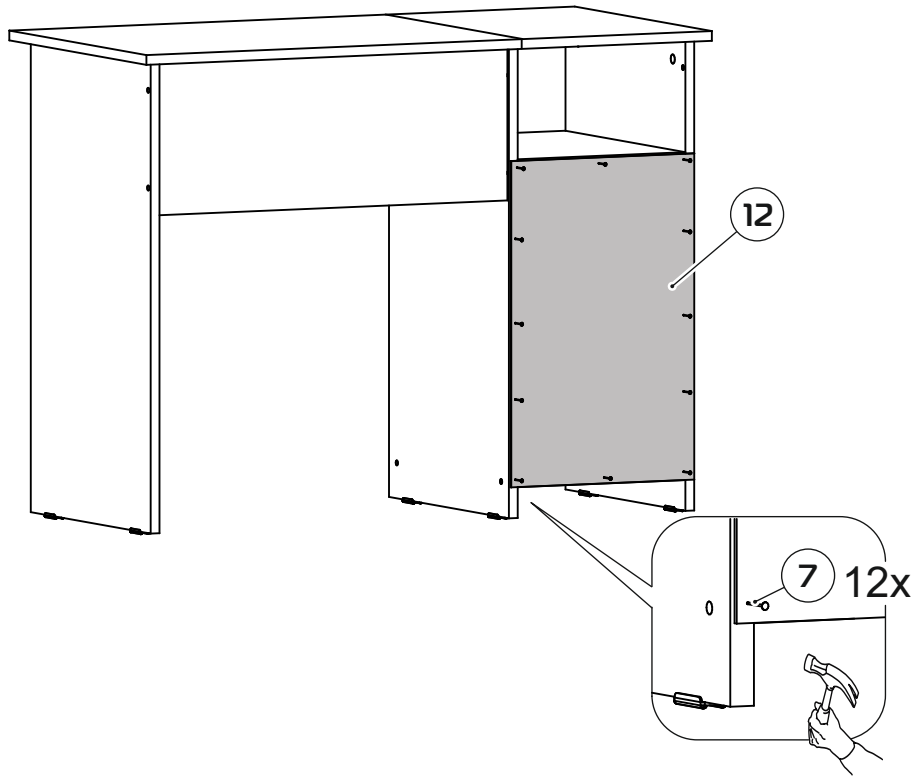
11



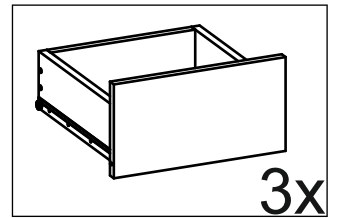
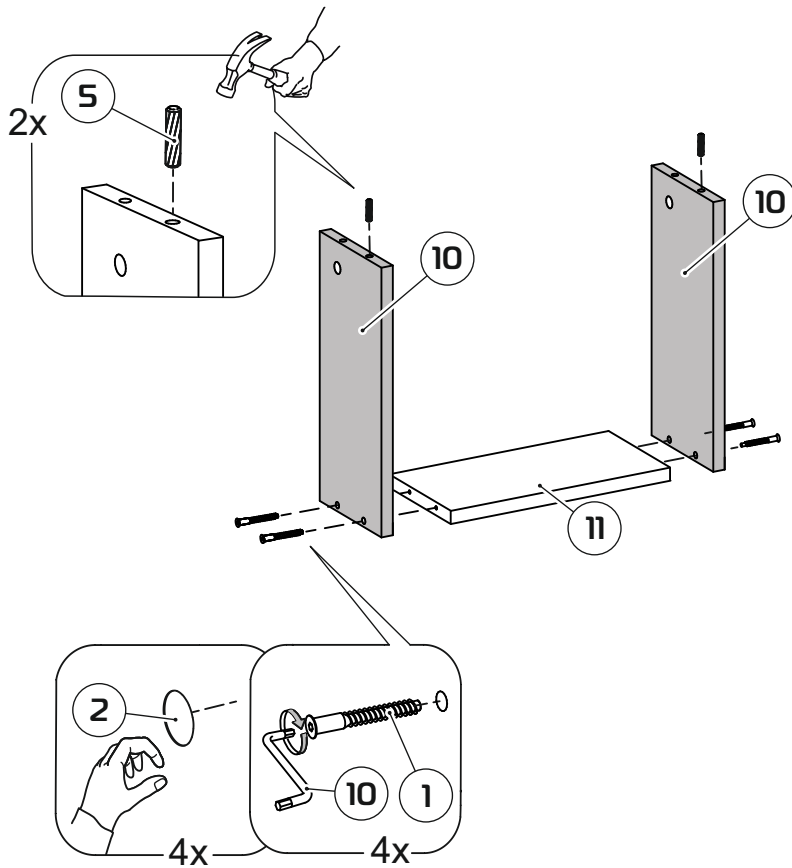
12



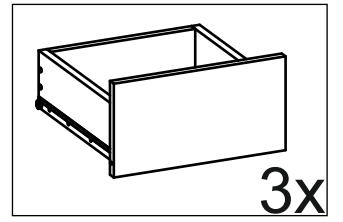
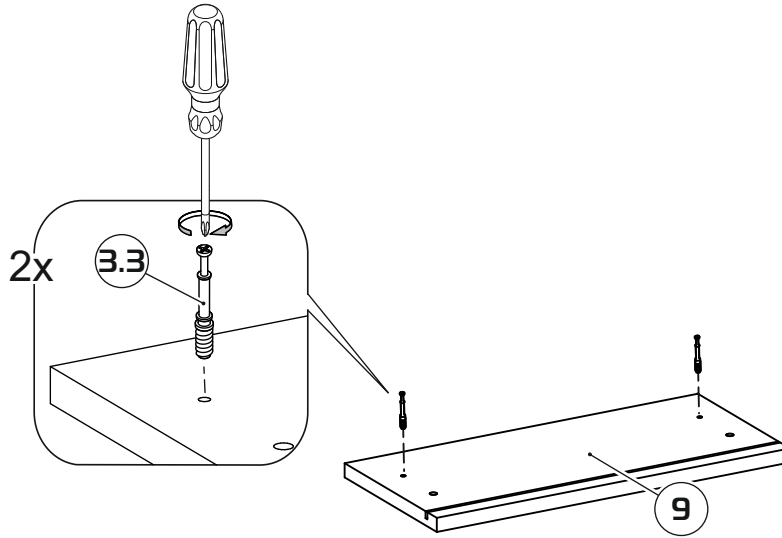
13



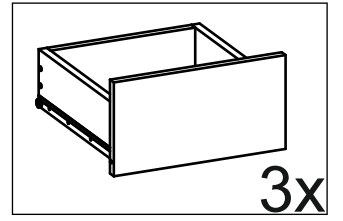
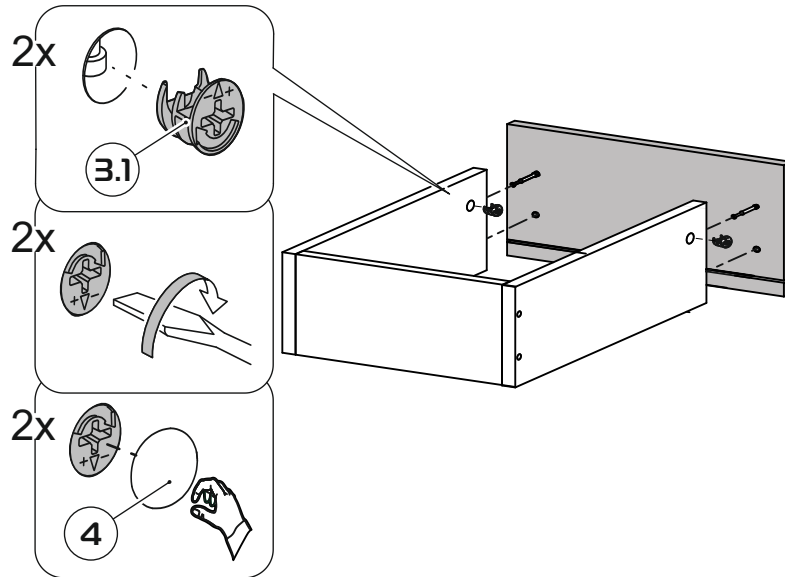
14



15



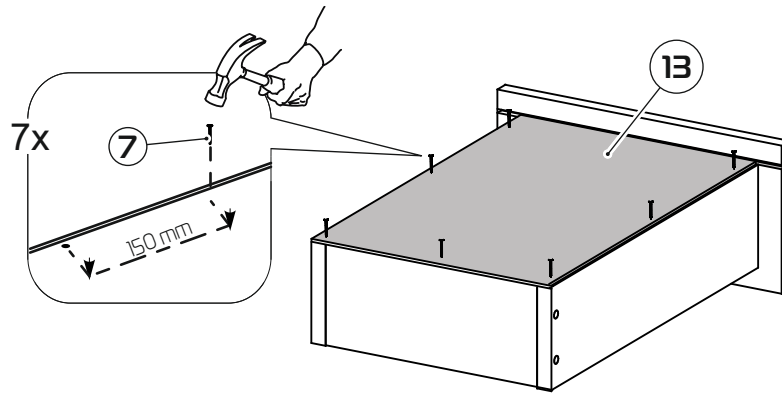
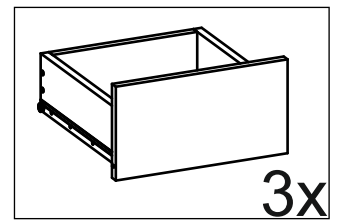
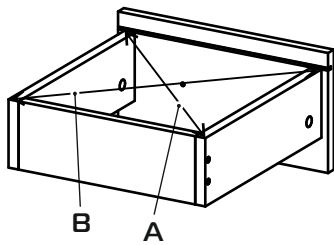
16



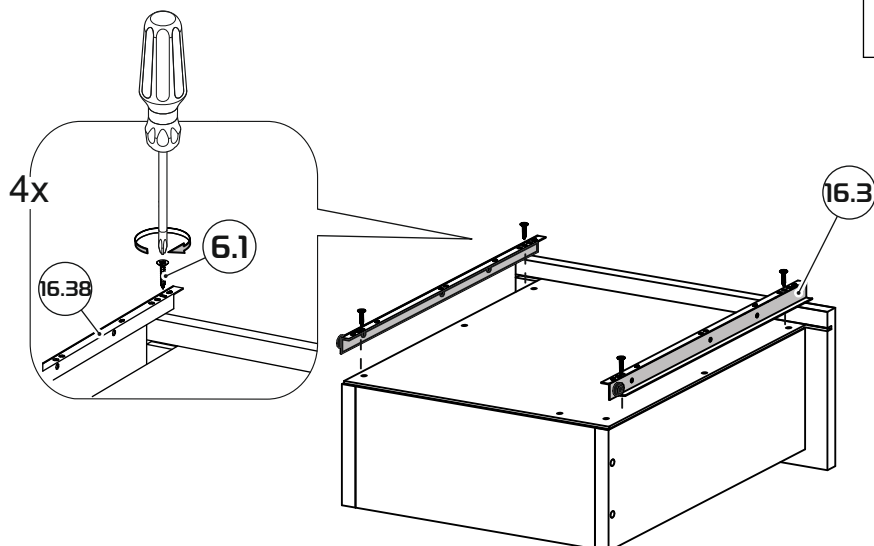
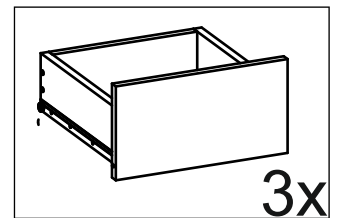
17



(A=B)



18



19

