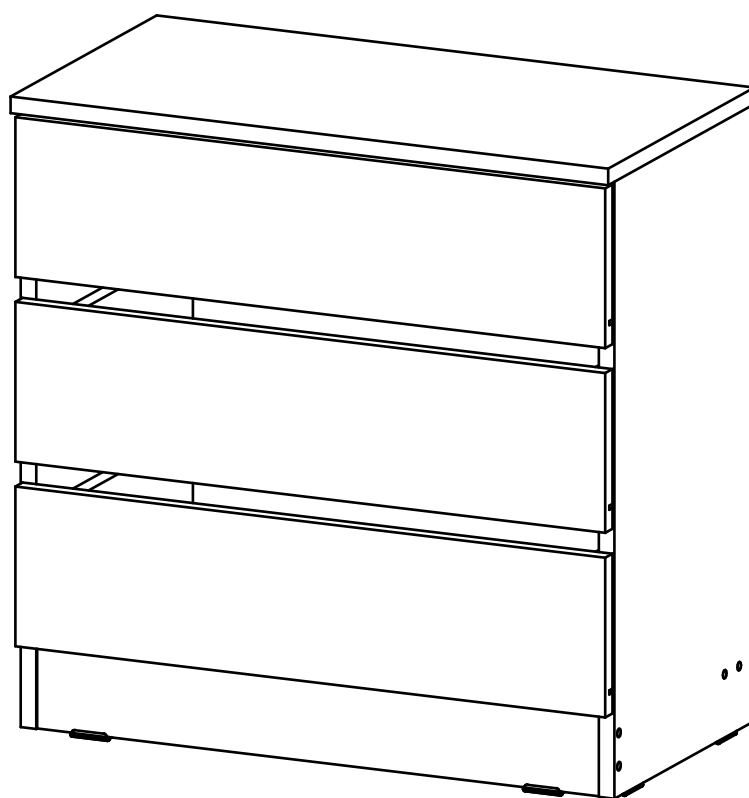
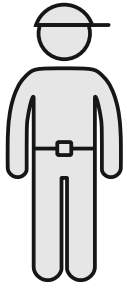


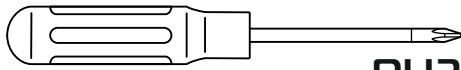
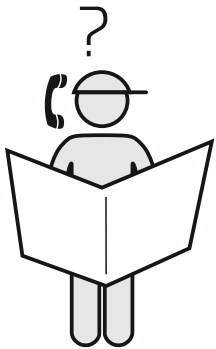
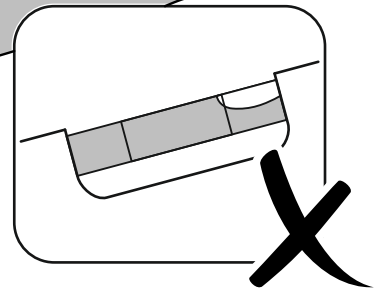
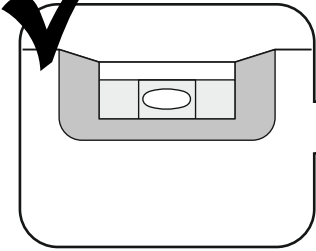
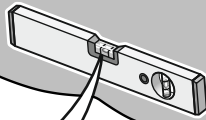
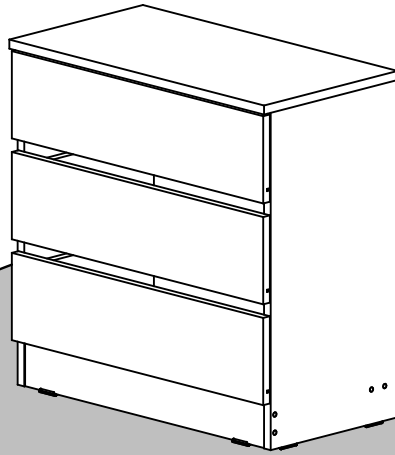
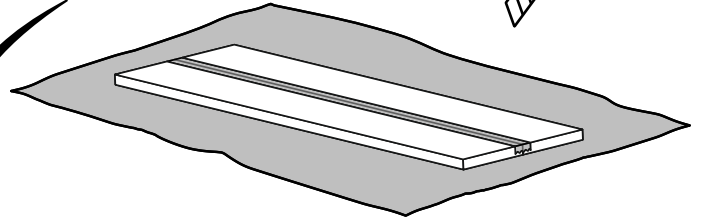
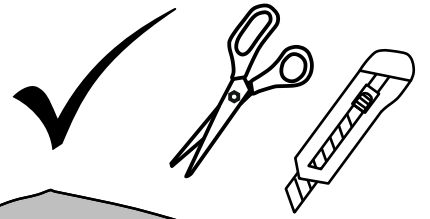
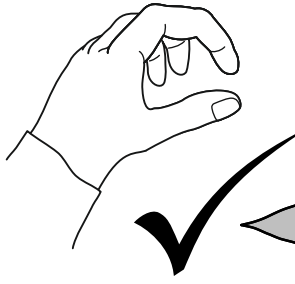
ТРИВЕРО-20

TRIVERO-20

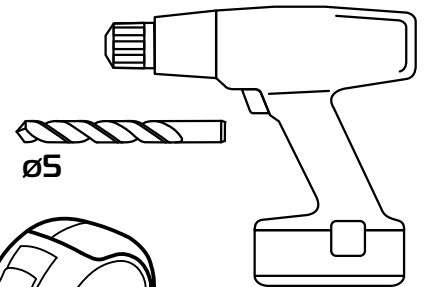
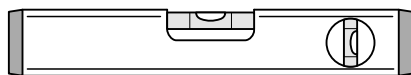
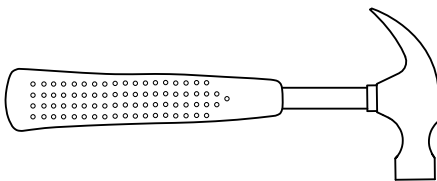




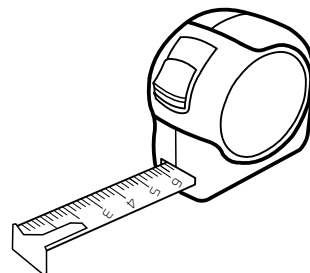
60-75 min

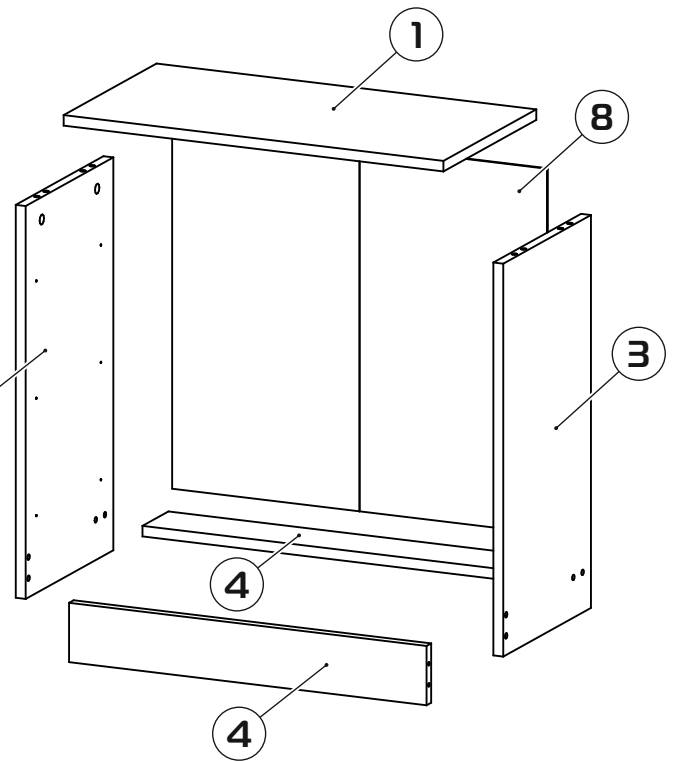
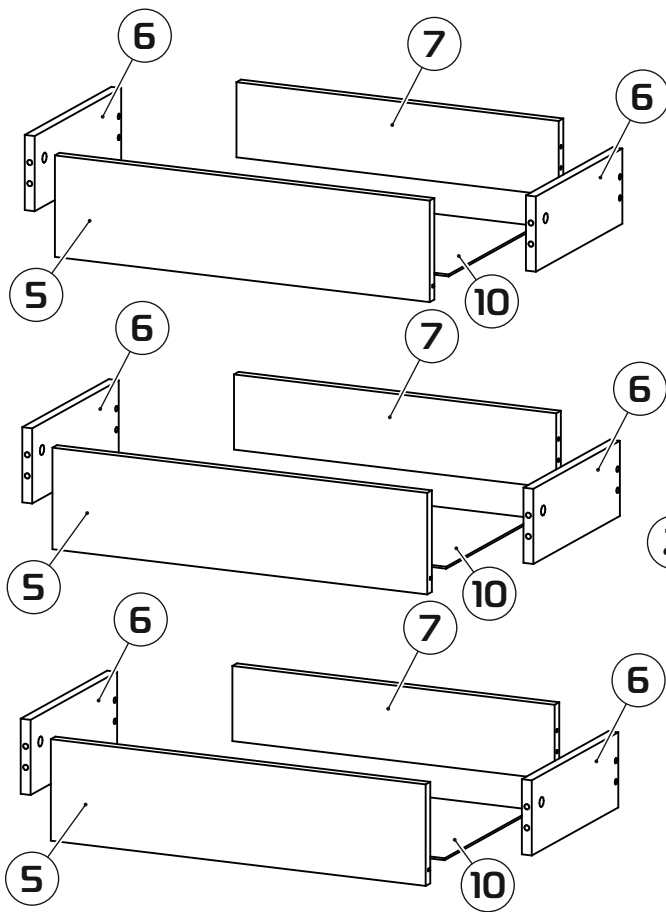


PH2



ø5





① 614x322x16 (x1)

⑤ 606x154x16 (x3)

② 596x304x16 (x1)

⑥ 300x114x16 (x6)

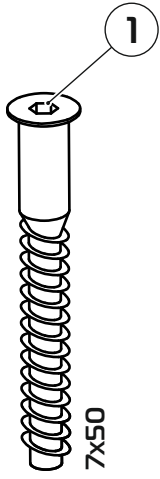
③ 596x304x16 (x1)

⑦ 521x114x16 (x3)

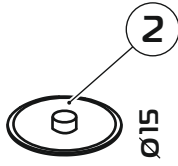
④ 578x90x16 (x2)

⑧ 554x304/304x3 (x1)

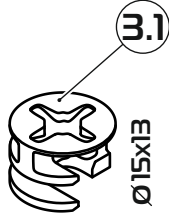
1:1



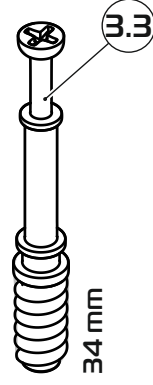
x20



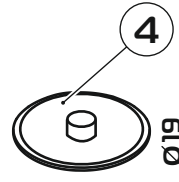
x20



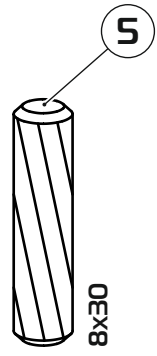
x10



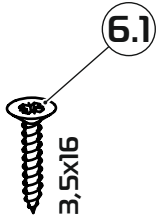
x10



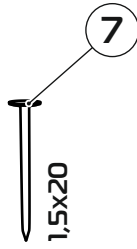
x10



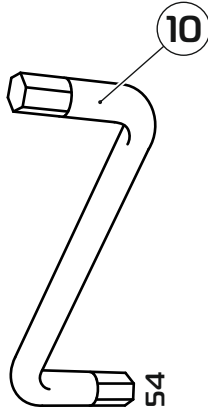
x10



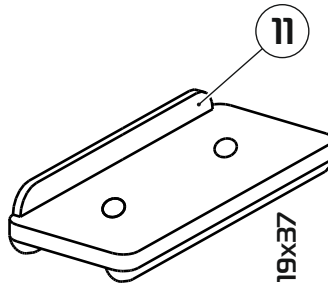
x32



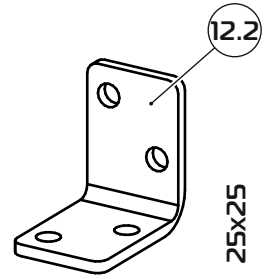
x57



x1

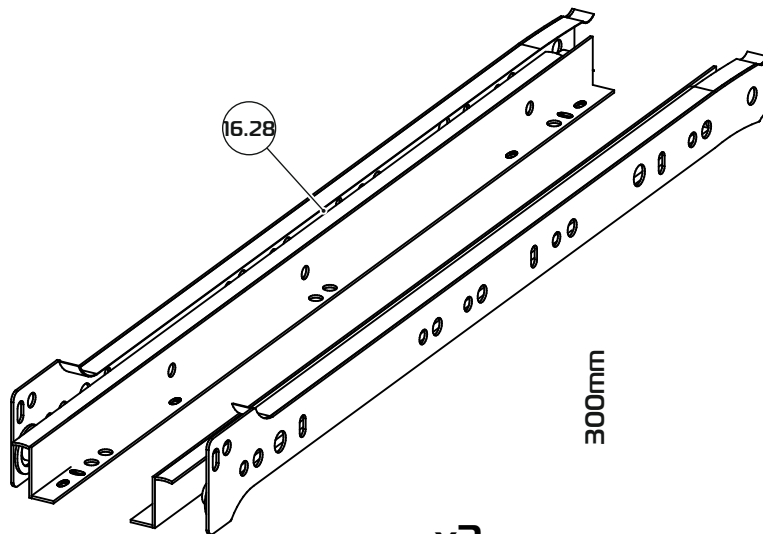


x6

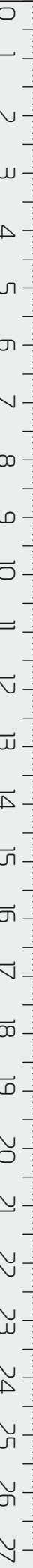


x1

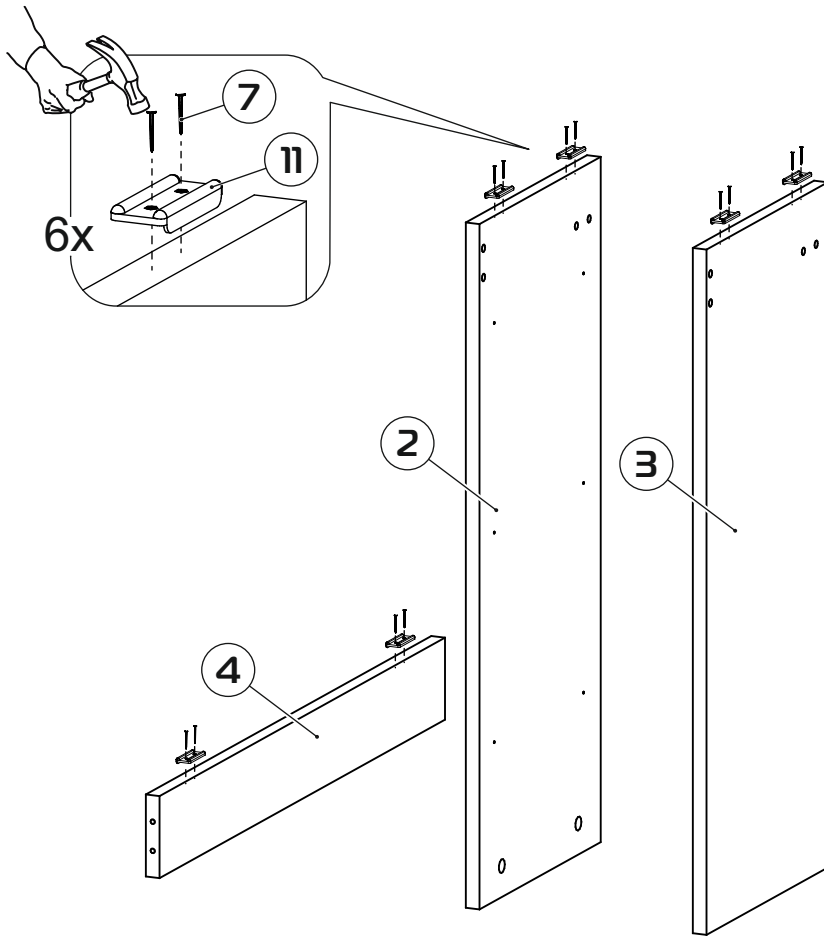
1:3



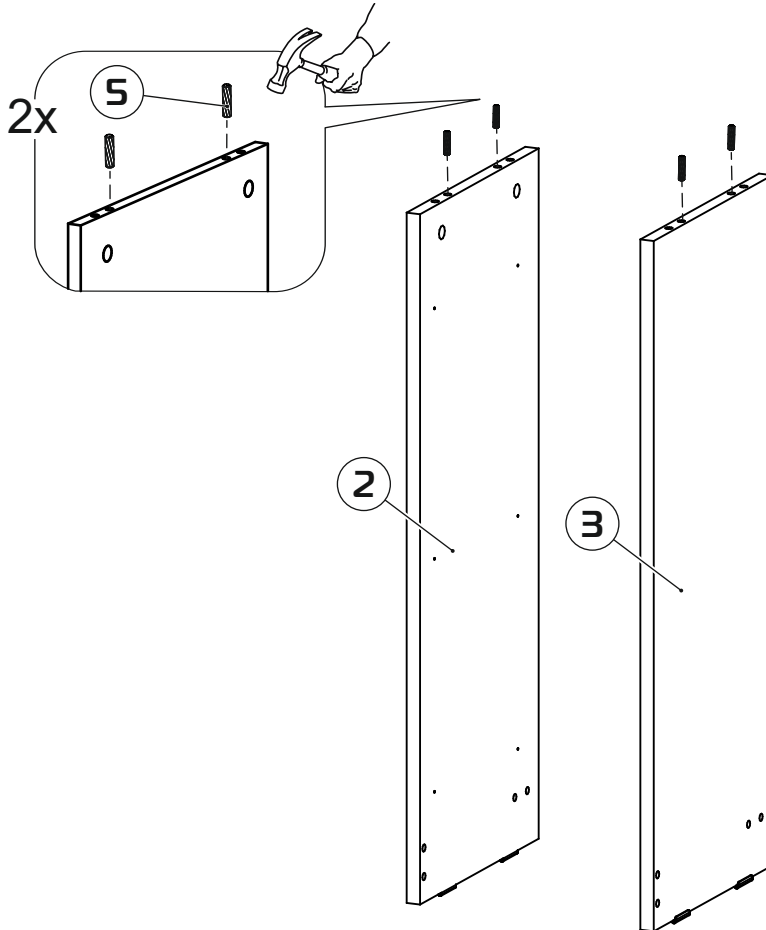
x3



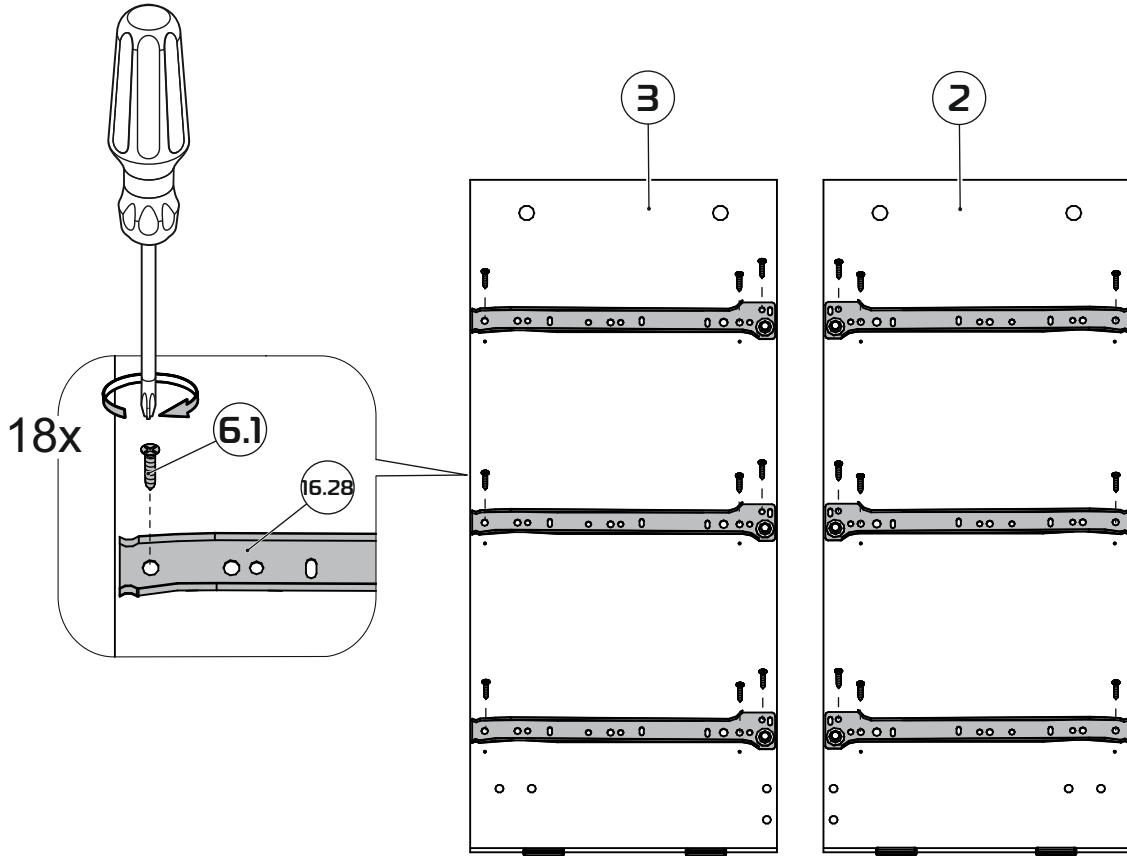
1



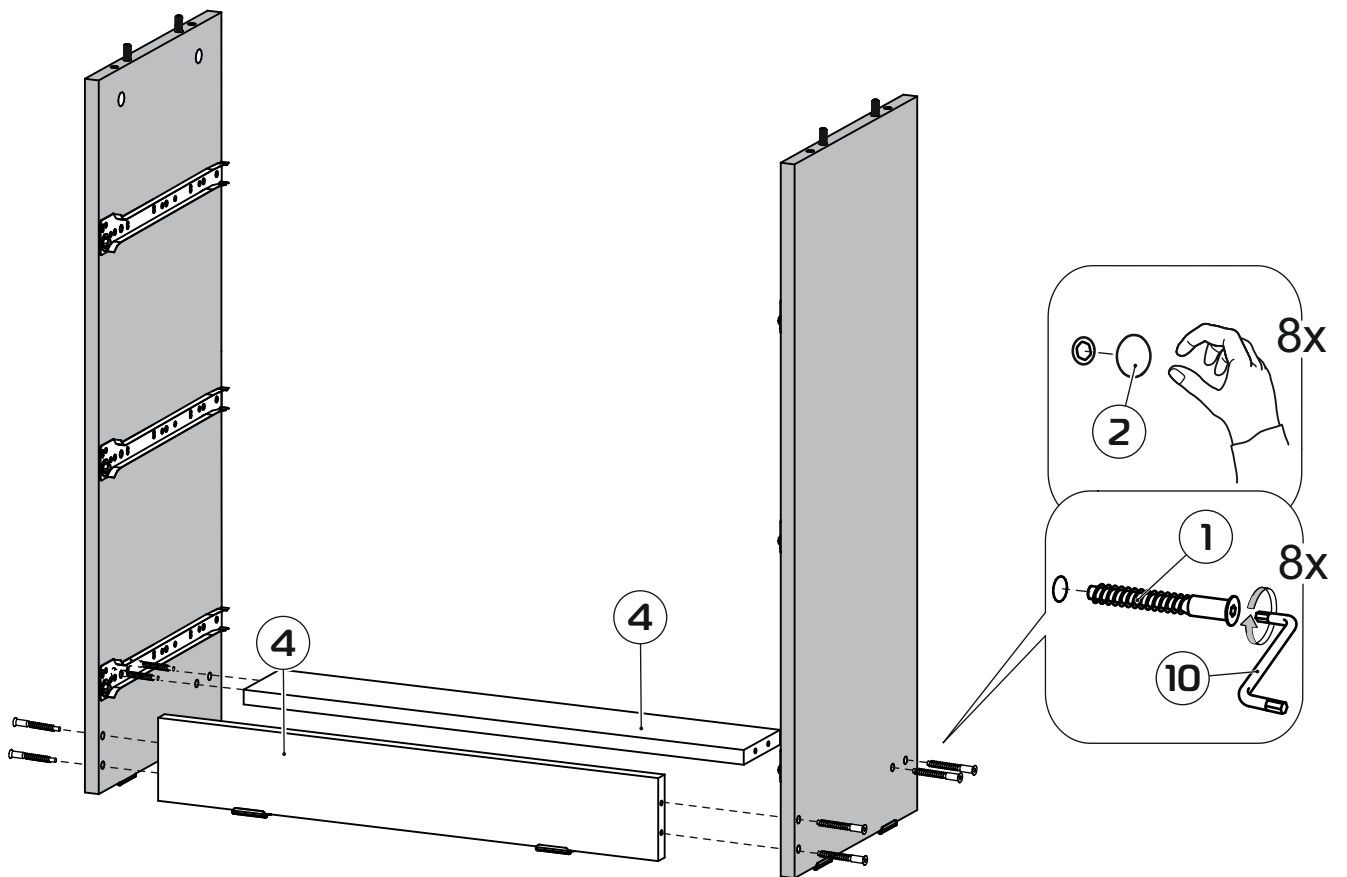
2



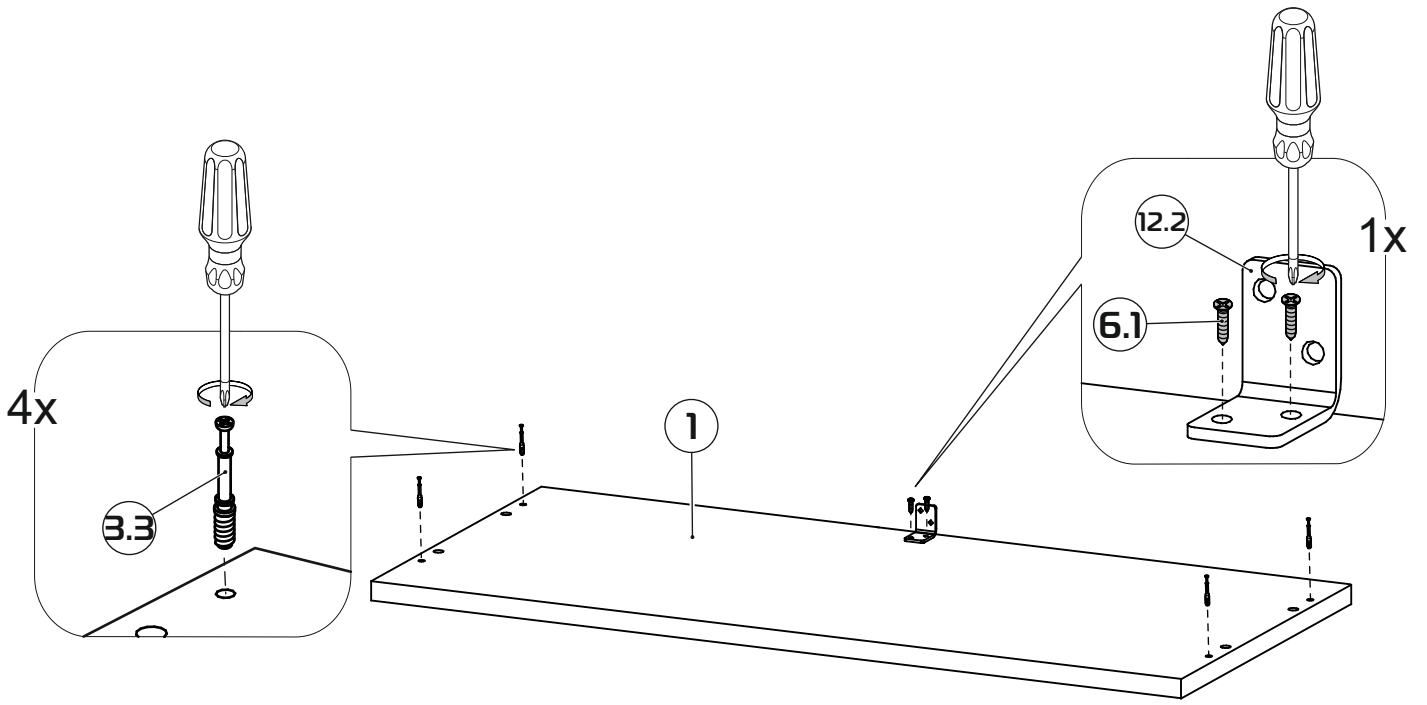
3



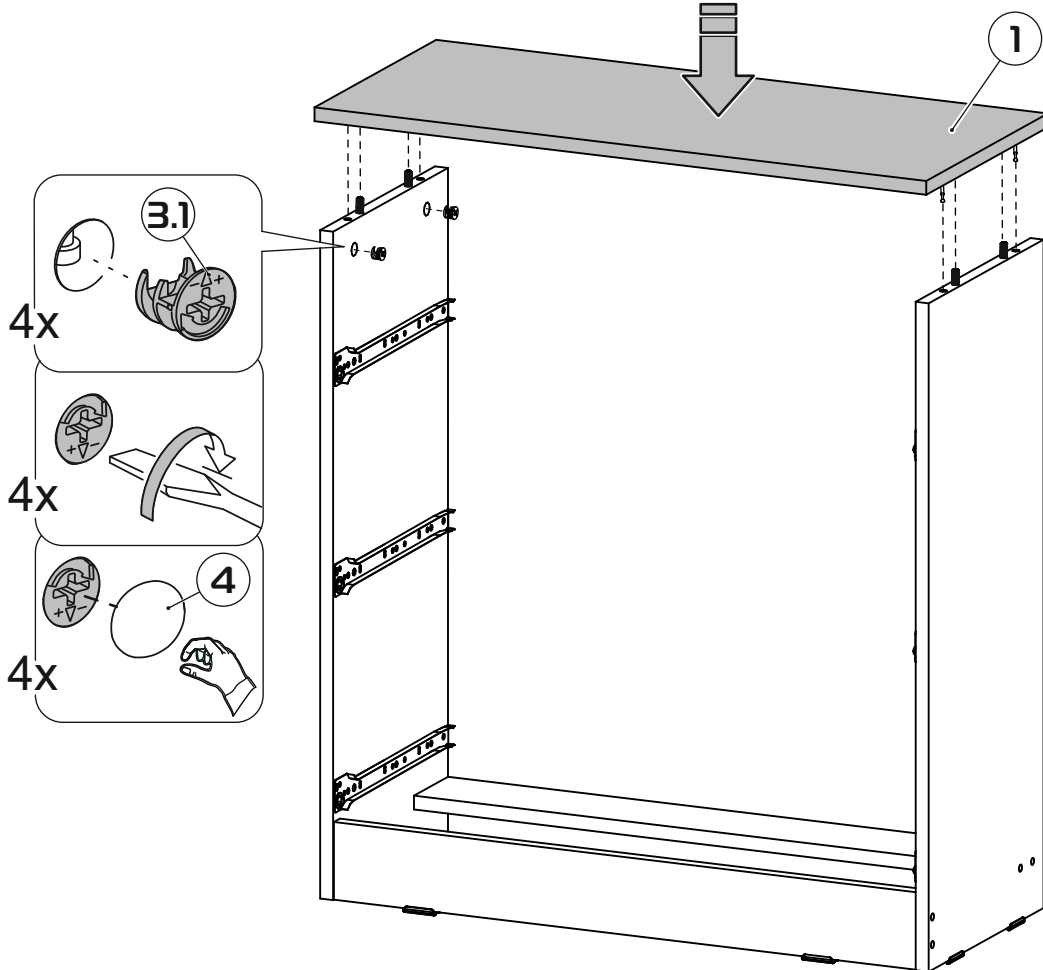
4



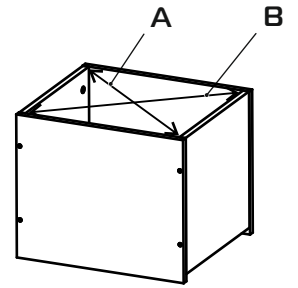
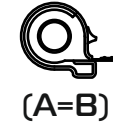
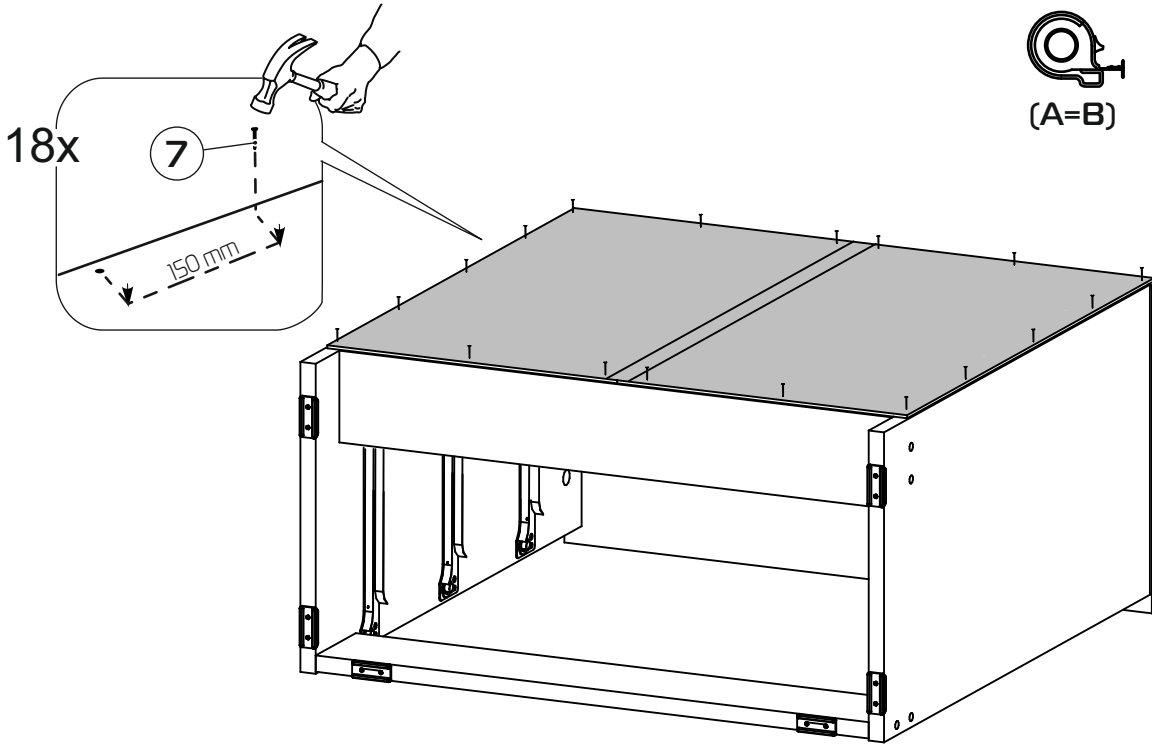
5



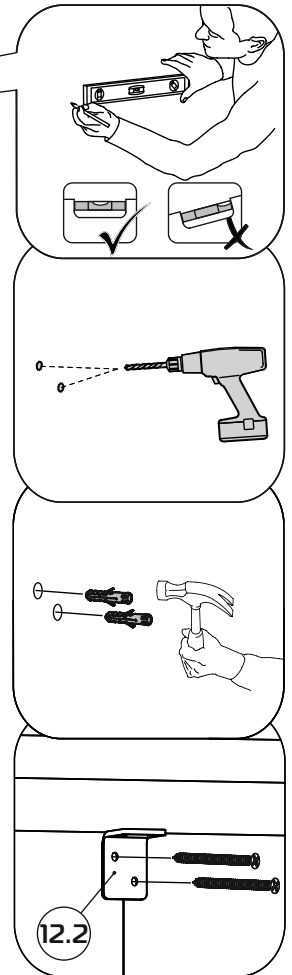
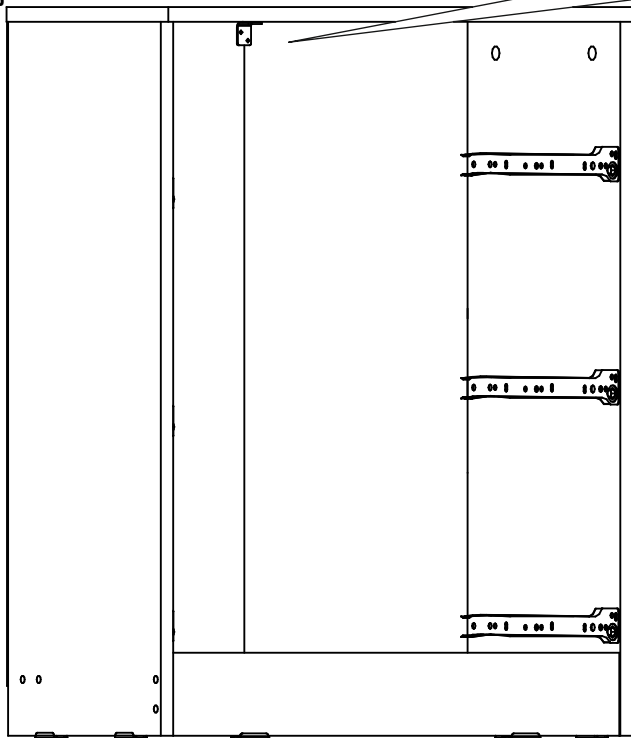
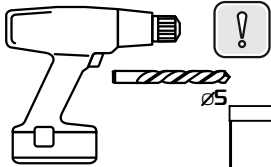
6



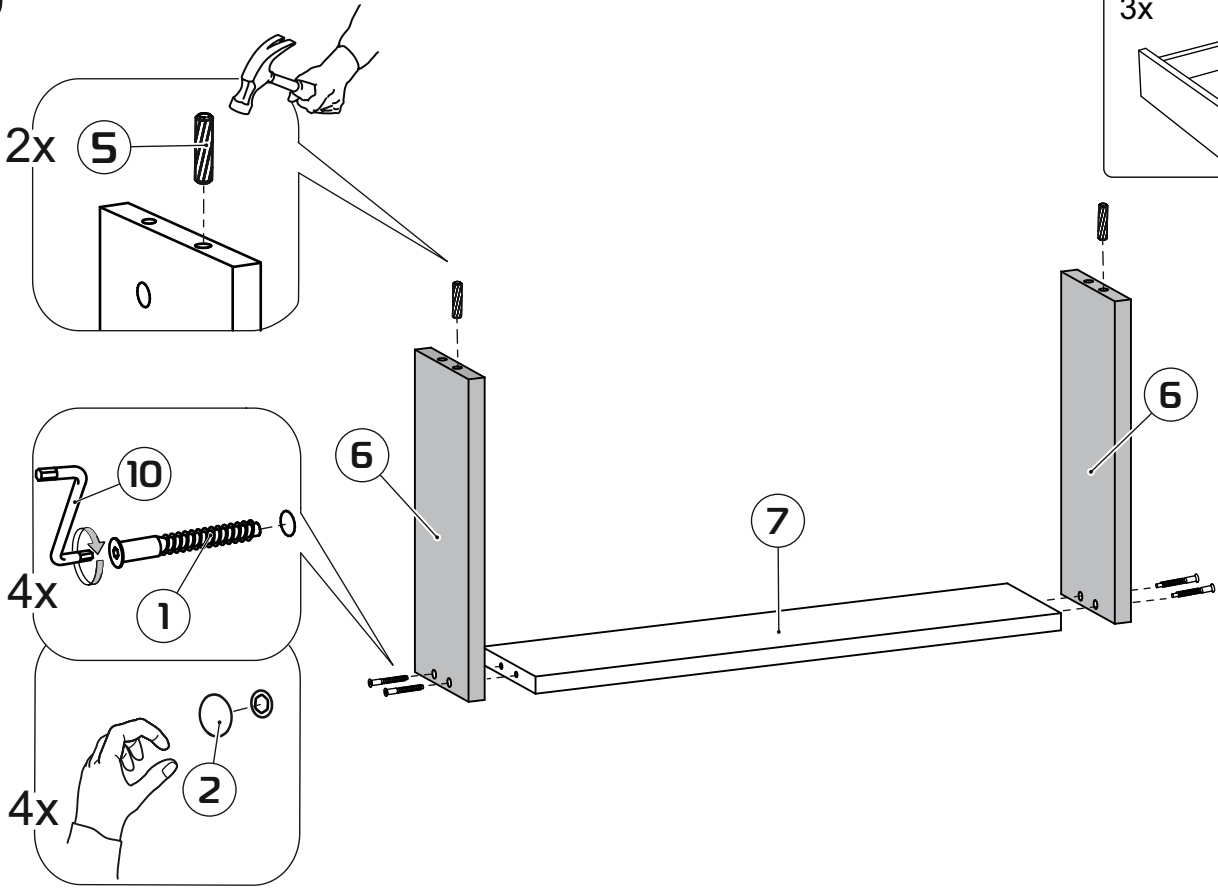
7



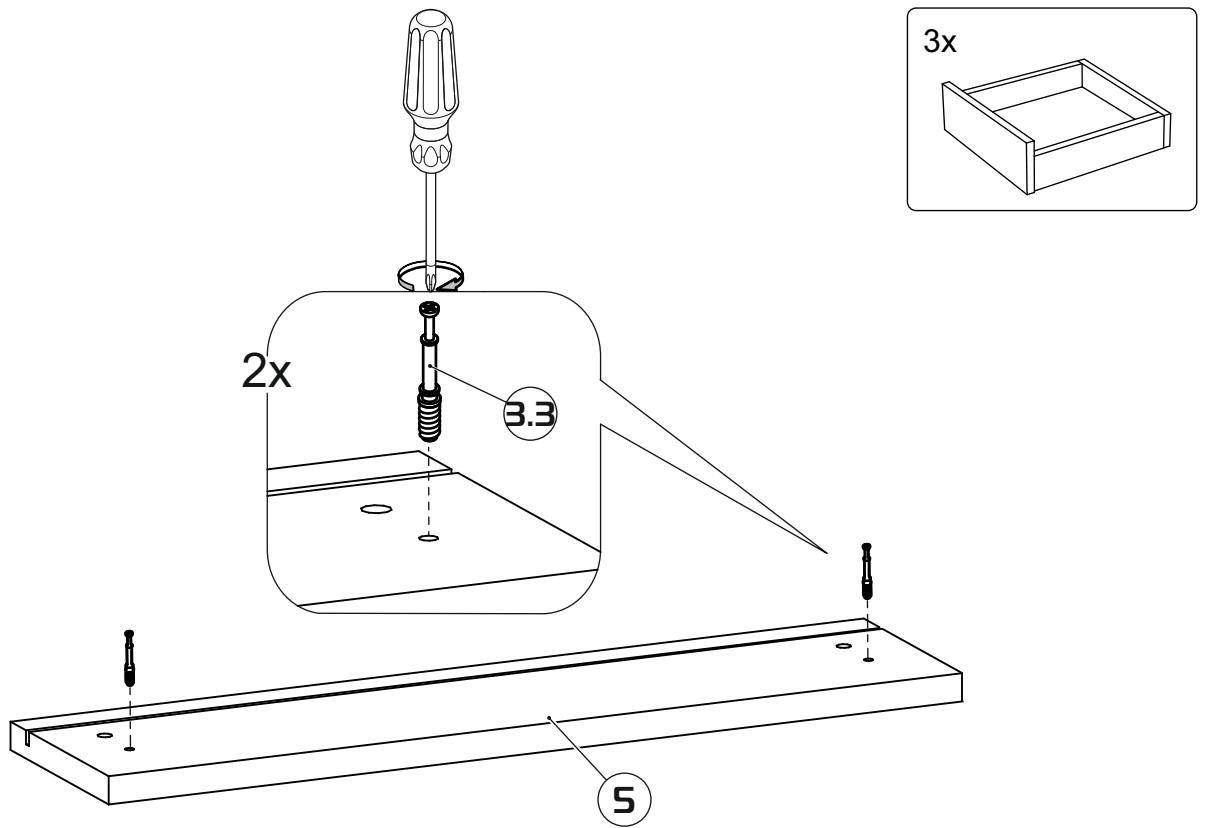
8



9

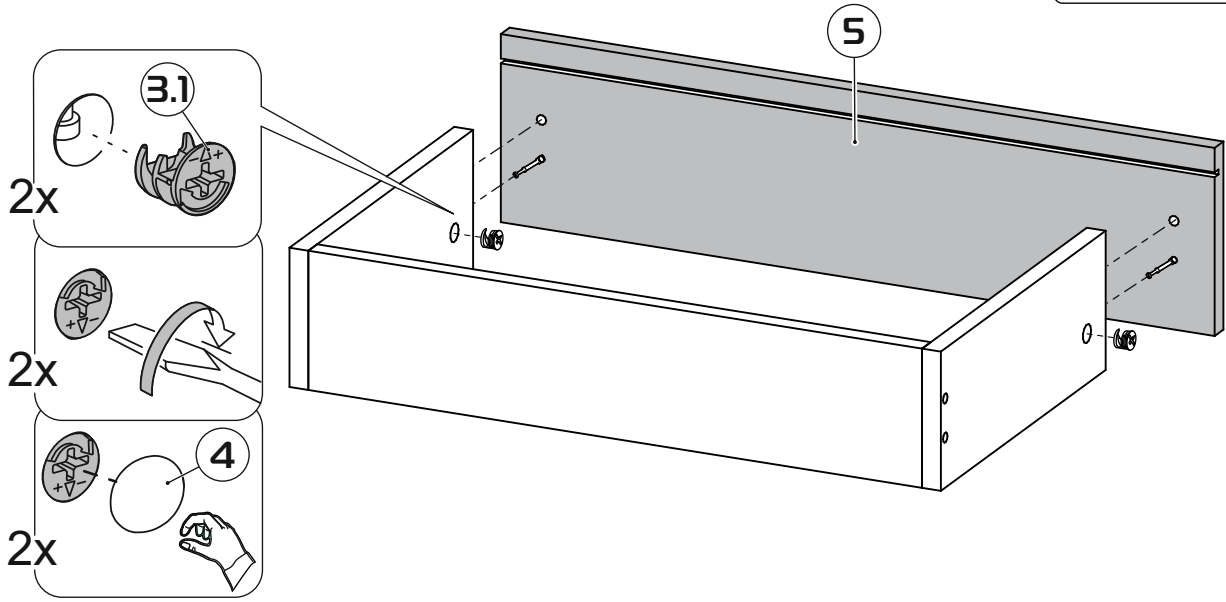
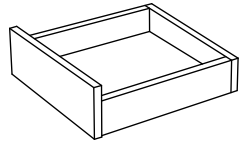


10



11

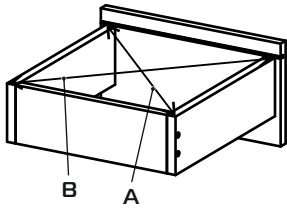
3x



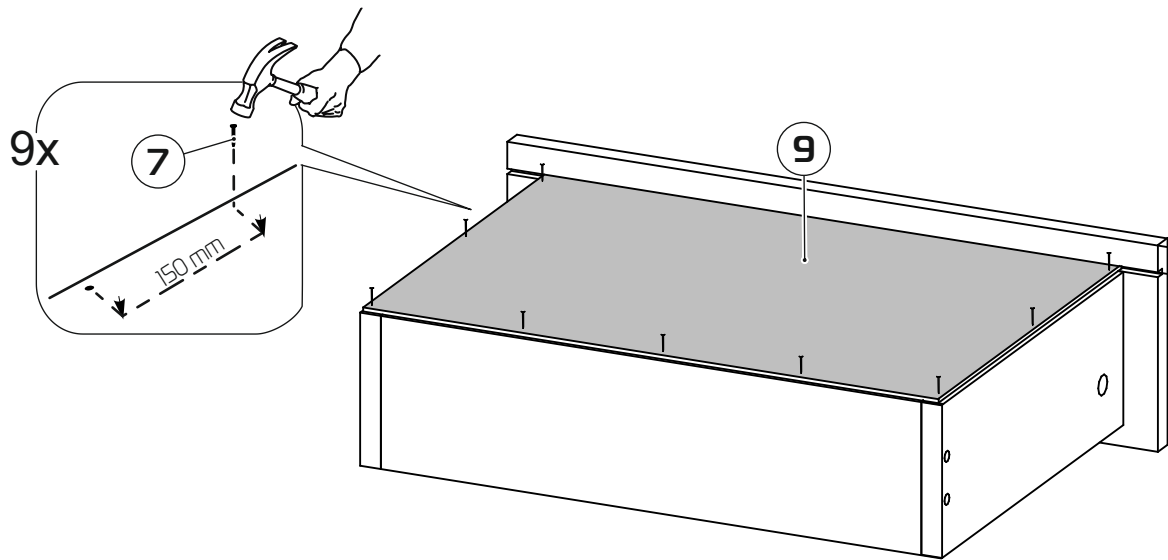
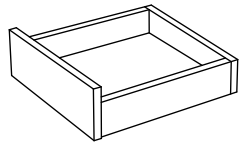
12



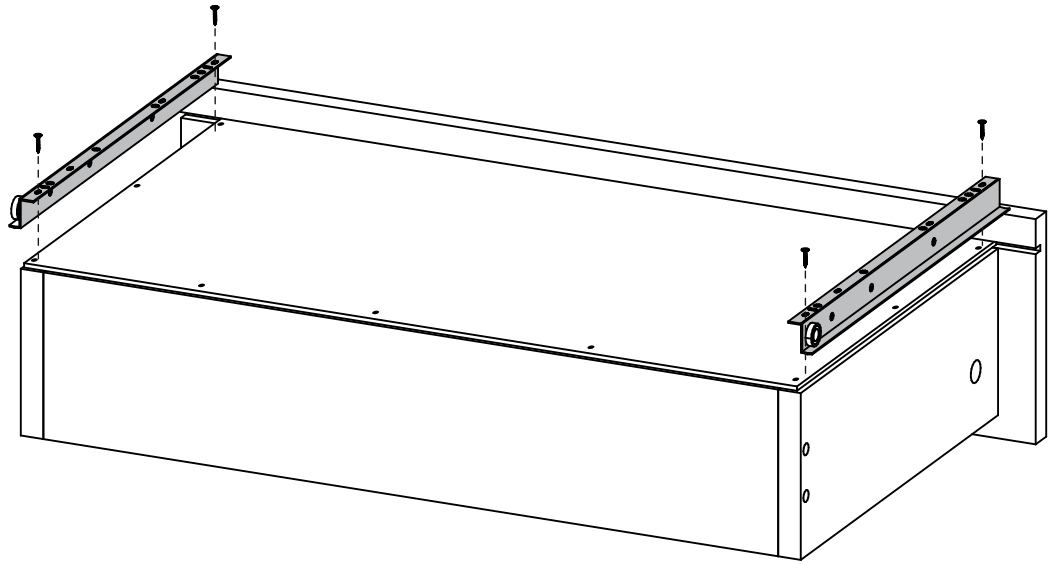
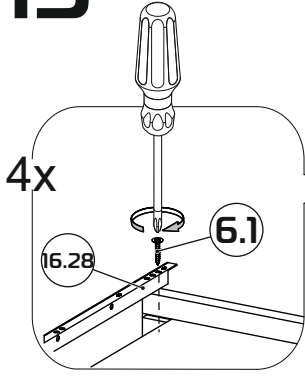
(A=B)



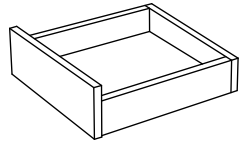
3x



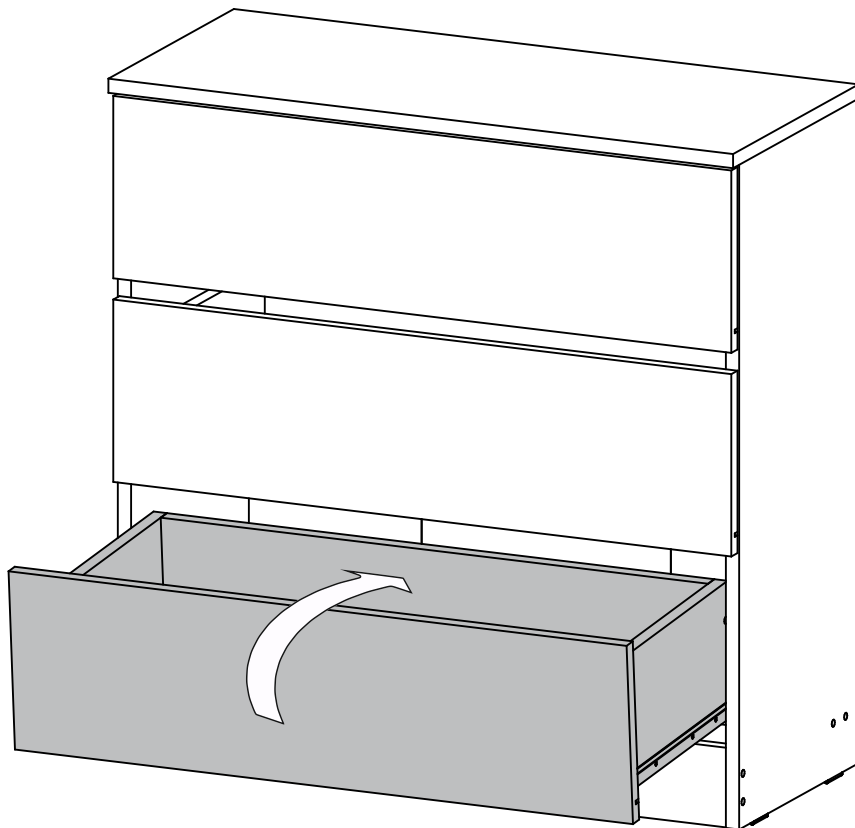
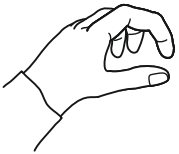
13



3x



14



3x

