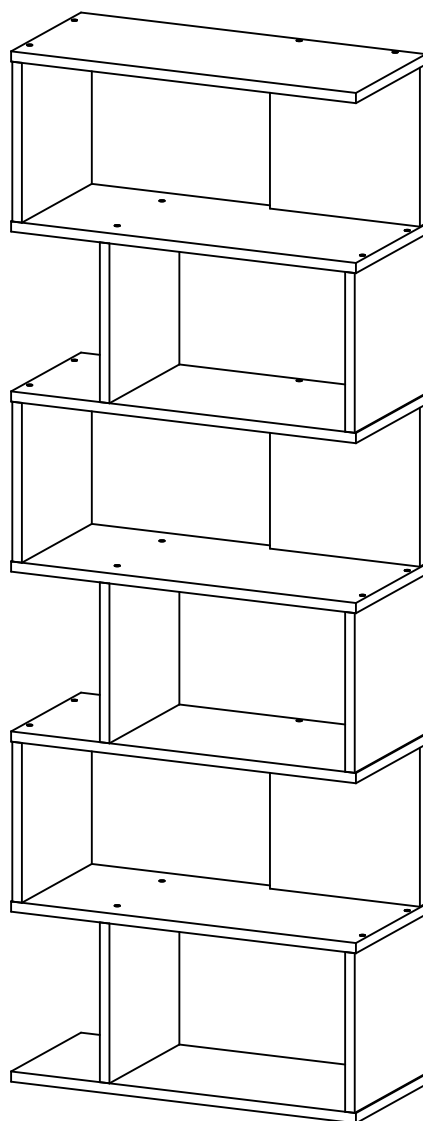


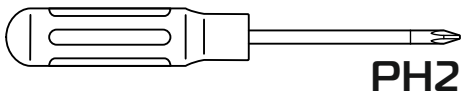
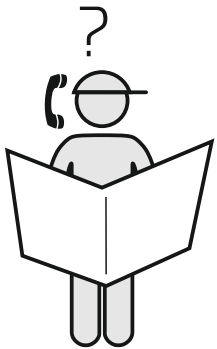
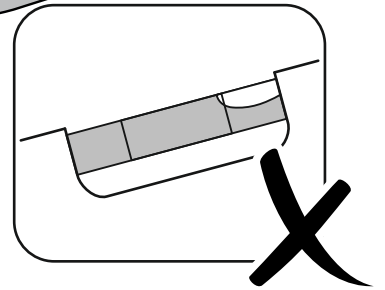
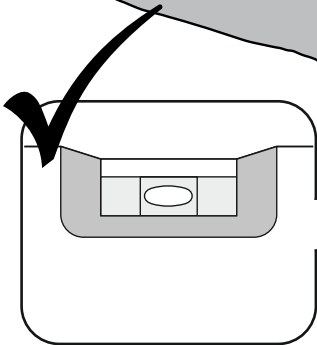
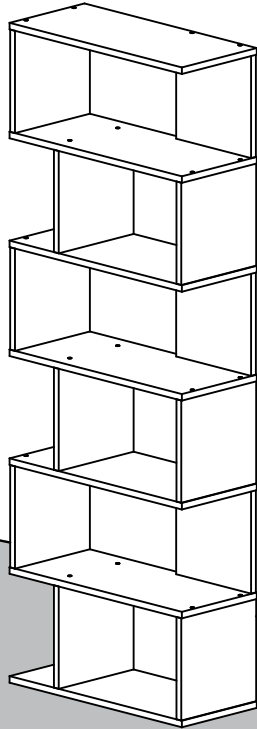
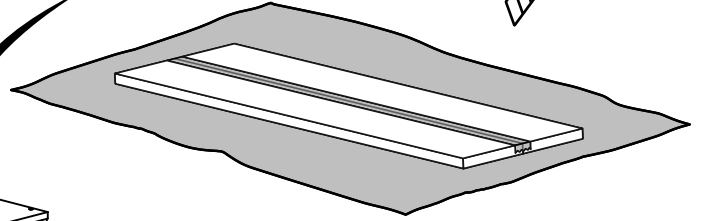
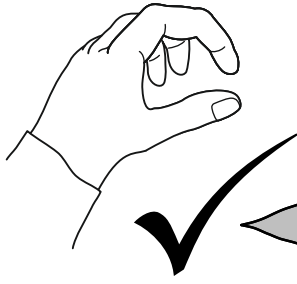
# ФАЙН-5

# FAIN-5

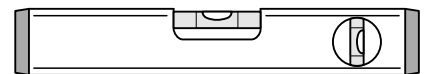
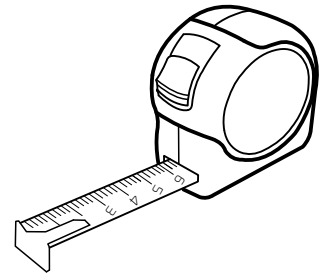
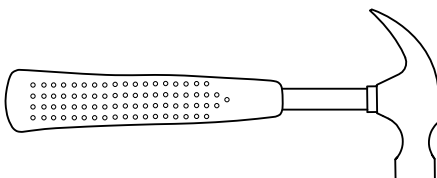


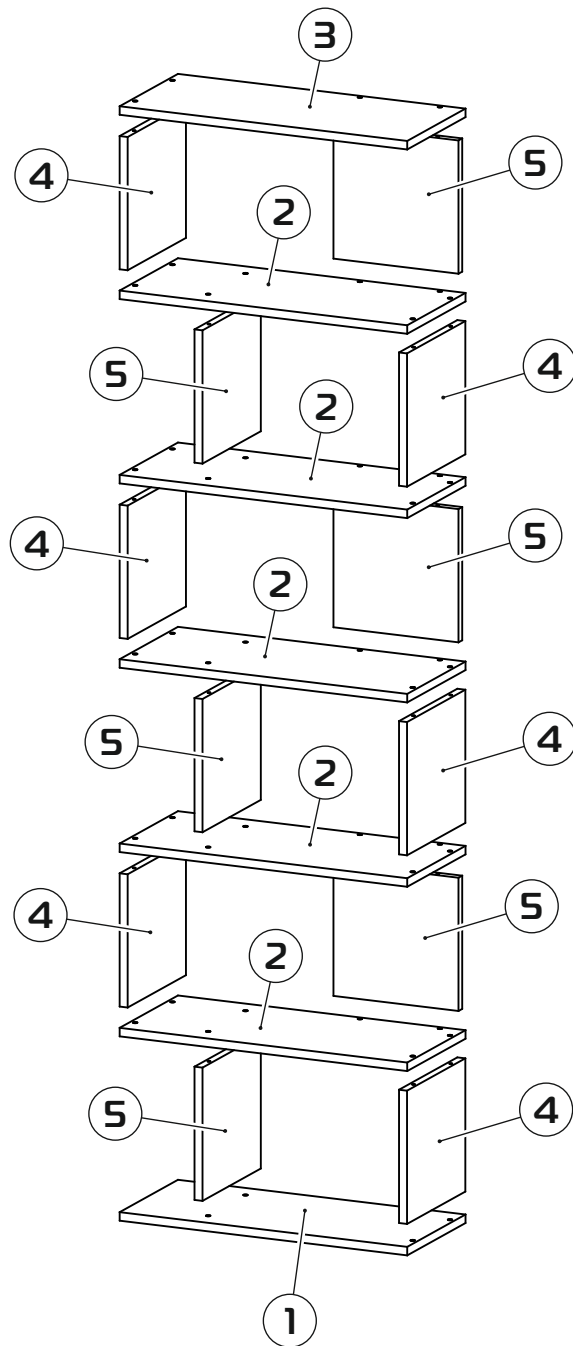


45-60 min



PH2





① 575x250x16 (x1)

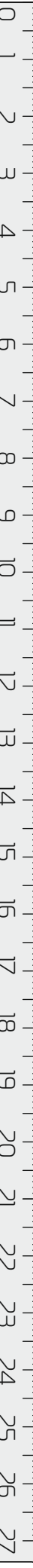
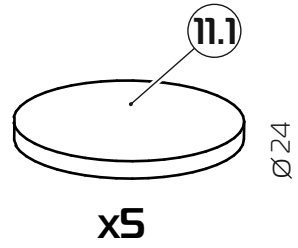
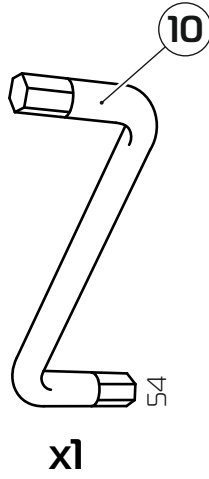
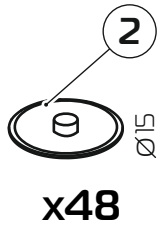
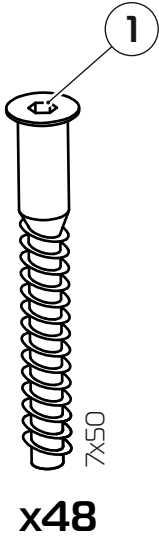
② 575x250x16 (x5)

③ 575x250x16 (x1)

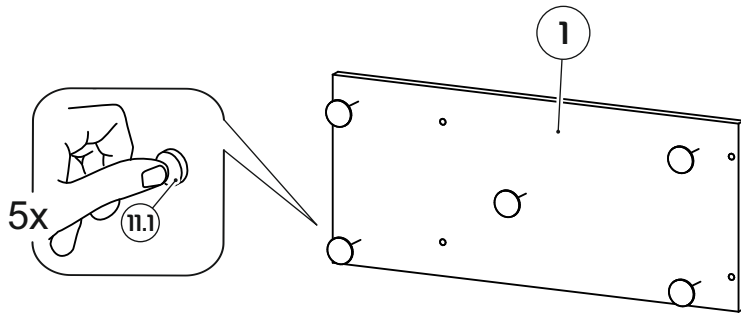
④ 250x250x16 (x6)

⑤ 250x250x16 (x6)

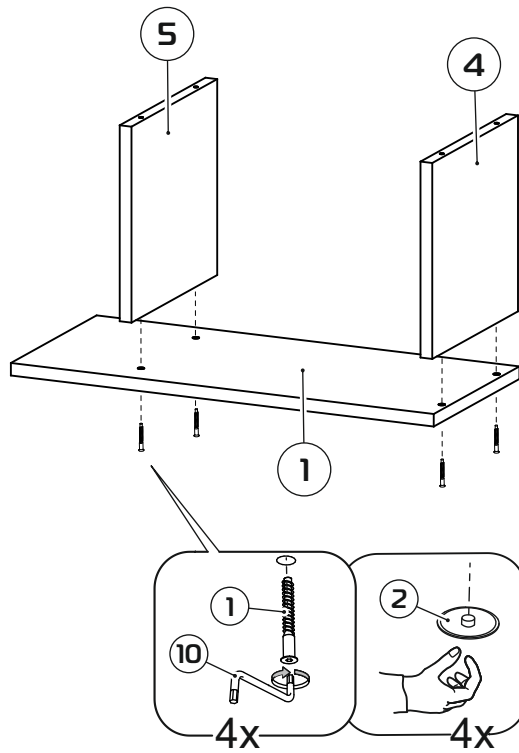
1:1



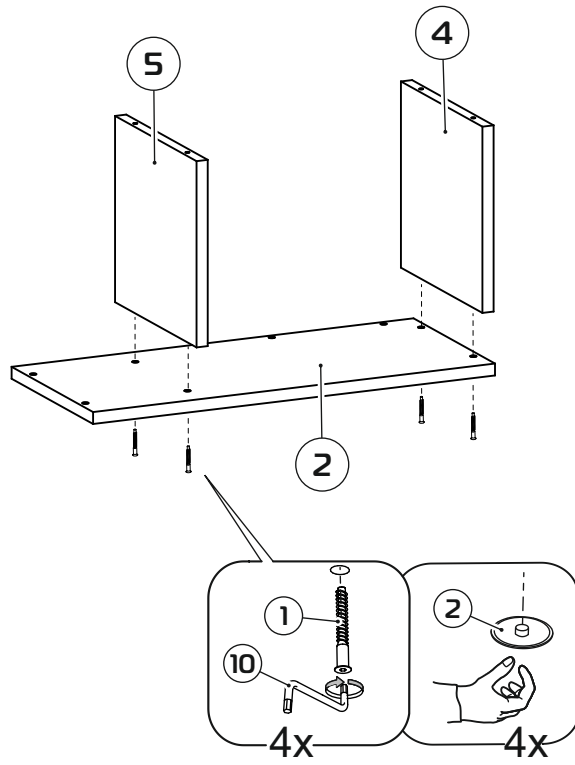
# 1



# 2

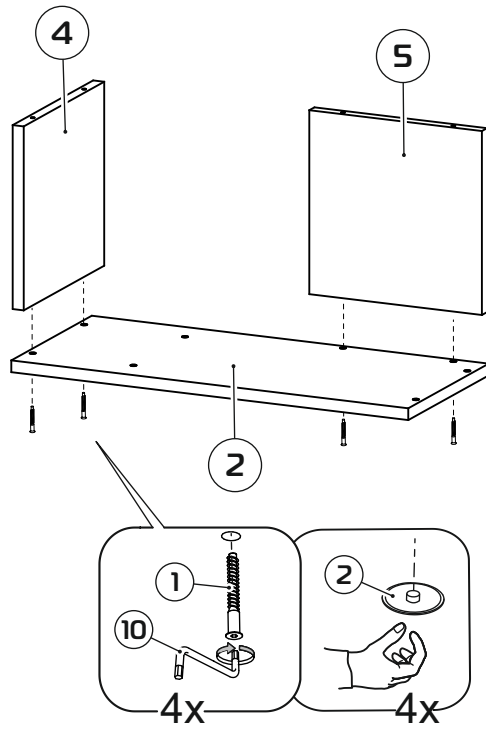


3



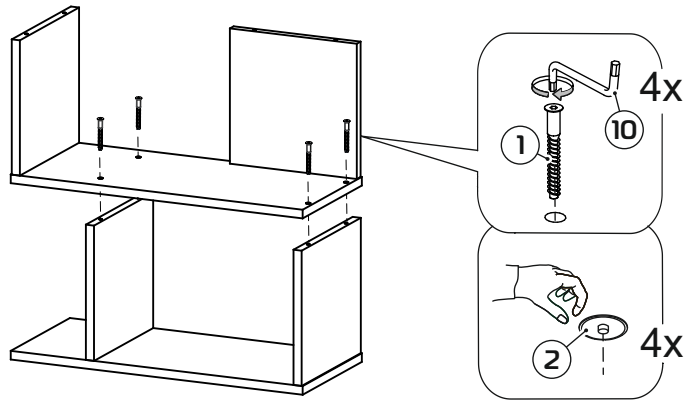
x2

4

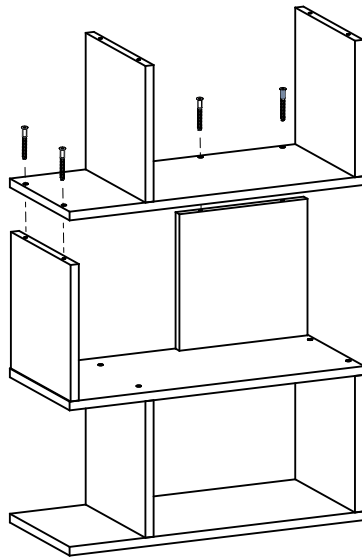


x3

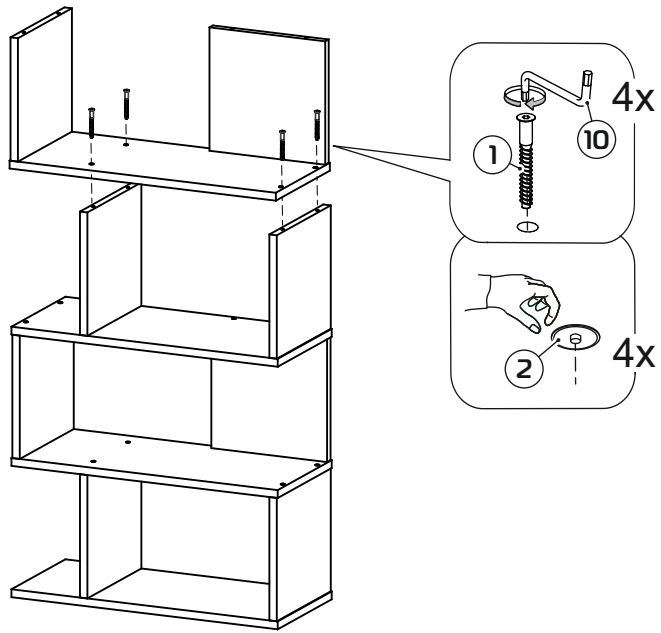
5



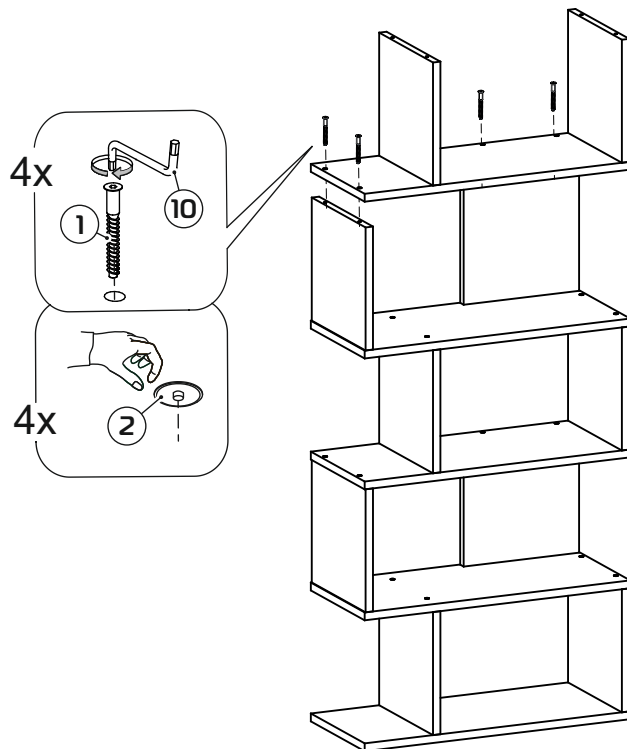
6



7

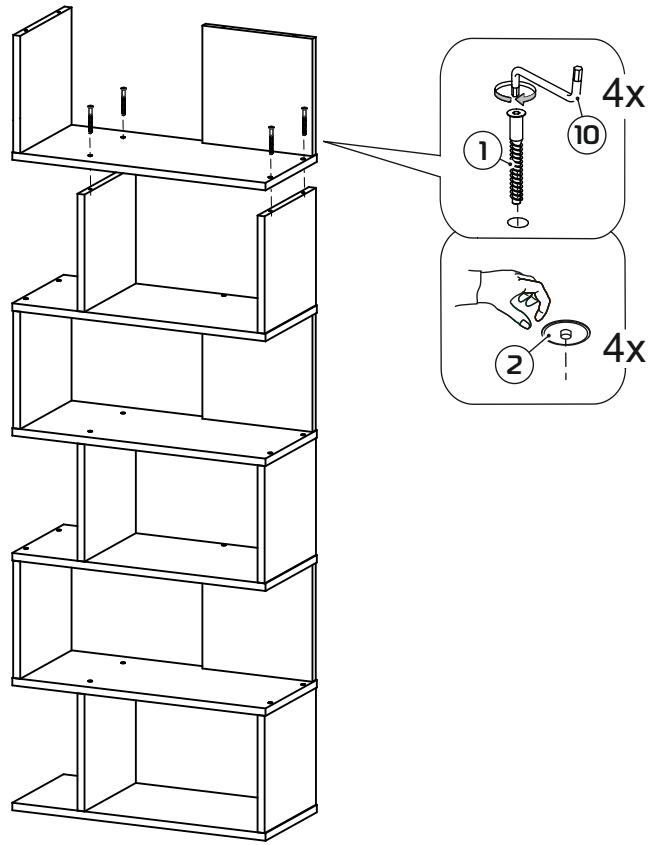


8





# 9



# 10

